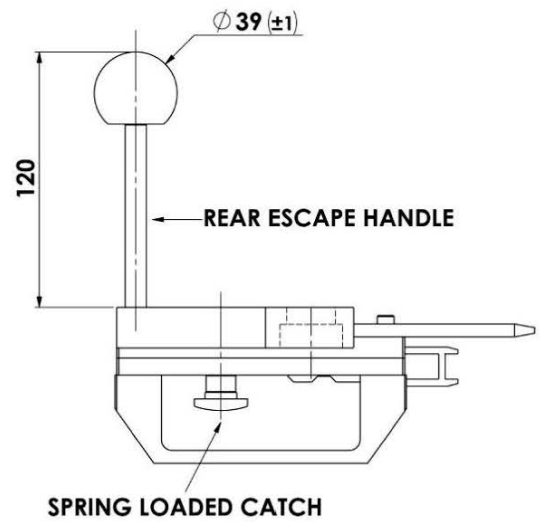
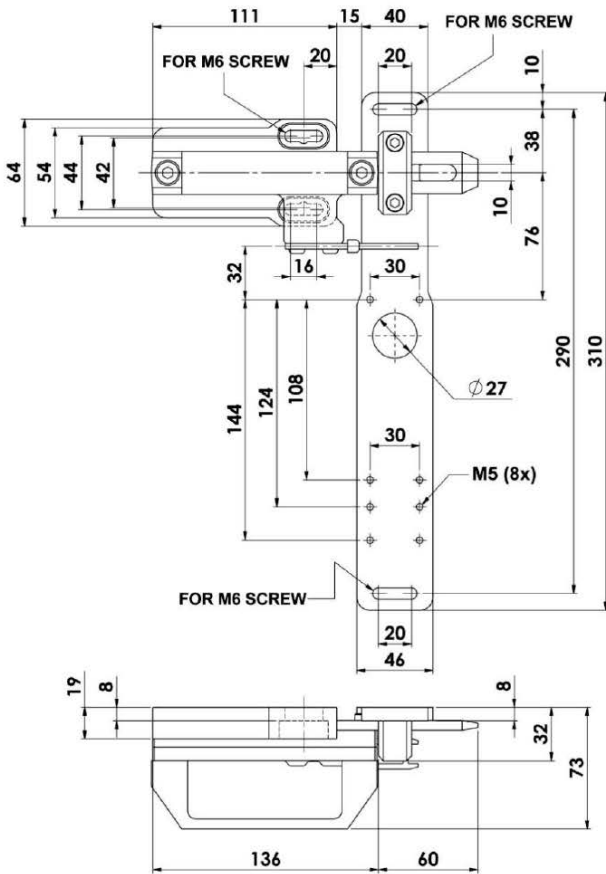




—  
**Ordering information**

Type	Order code
□ □ □ □	□ □□ □ □
□ □ □ □	□□□ □ □
□ □ □ □ □	□ □□ □ □
□ □ □ □ □ □	□ □ □ □ □ □

## Dimensions



**ABB AB**

**Jokab Safety**

Varlabergsvägen 11

SE-434 39 Kungsbacka

Tel. +46 (0) 21-32 50 00

[www.abb.com/jokabsafety](http://www.abb.com/jokabsafety)



### Note

We reserve the right to make technical changes or modify the contents of this document without prior notice. With regard to purchase orders, the agreed particulars shall prevail. ABB does not accept any responsibility whatsoever for potential errors or possible lack of information in this document.

We reserve all rights in this document and in the subject matter and illustrations contained therein. Any reproduction, disclosure to third parties or utilization of its contents - in whole or in parts - is forbidden without prior written consent of ABB.

Copyright© 2019 ABB  
All rights reserved

2TLC010090L0201