

We reserve all rights in this document and in the information contained therein. Reproduction, use or disclosure to third parties without express authority is strictly forbidden. © ABB 19

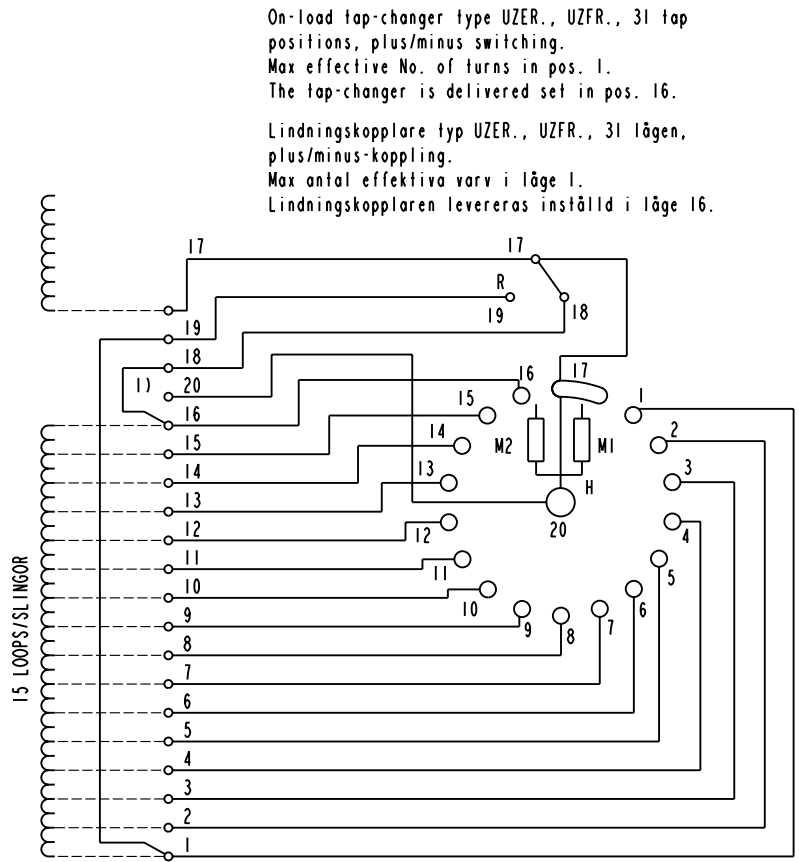
Pos. Läge	R connects förbinder	H connects förbinder
1	17-18	1-20
2		2-20
3		3-20
4		4-20
5		5-20
6		6-20
7		7-20
8		8-20
9		9-20
10		10-20
11		11-20
12		12-20
13		13-20
14		14-20
15		15-20
16A		16-20
16	17-19	17-20
16B		1-20
16C		2-20
17		3-20
18		4-20
19		5-20
20		6-20
21		7-20
22		8-20
23		9-20
24		10-20
25		11-20
26		12-20
27		13-20
28		14-20
29	15-20	
30	16-20	
31	16-20	

A position with letter is a through position and gives the same voltage as the normal position.

Läge med bokstav är ett genomloppsläge och ger samma spänning som normalläget.

1) Connections between the terminals 20 of the three phases are included in the star-point type.

Förbindningar mellan uttag 20 i de tre faserna ingår i nollpunktsutförandet.



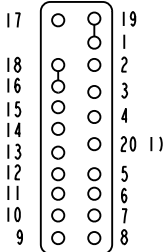
On-load tap-changer type UZER., UZFR., 31 tap positions, plus/minus switching. Max effective No. of turns in pos. 1. The tap-changer is delivered set in pos. 16.

Lindningskopplare typ UZER., UZFR., 31 lägen, plus/minus-koppling. Max antal effektiva varv i läge 1. Lindningskopplaren levereras inställd i läge 16.

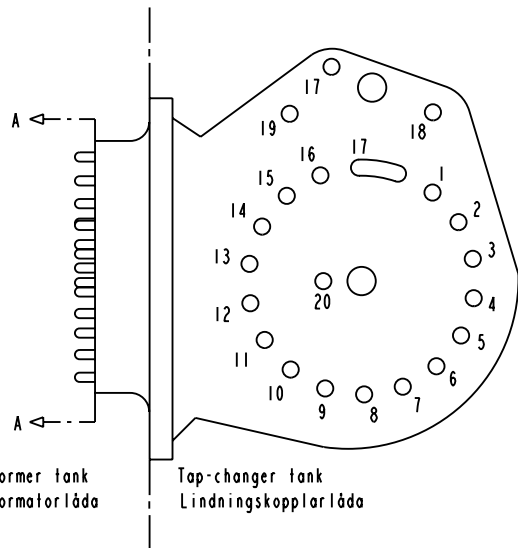
The tap-changer is shown in pos. 16  
Lindningskopplaren visad i läge 16

R Change-over selector  
Plus/minus-omkopplare  
H Main contact  
Huvudkontakt  
M1, M2 Transition contacts  
Motståndskontakter

Terminal board  
Plint



Section A-A  
Sektion A-A



Transformer tank  
Transformatorlåda

Tap-changer tank  
Lindningskopplarlåda

Sheet	Cont
Year	Week
Dept	
Rev	Appd
Year	Week

Rev	Appd	Year	Week	
Accepted by qual control	Accepted for prod by	Description (English)		DATAORIGINAL
R. Yngvesson		CONNECTION DIAGRAM		
Design checked by	Drawn by	Description (own language)		File name
B-O. Stenestam	L. Bergman	KOPPLINGSSHEMA		0394-12
Drawing checked by	Issued by Dept	Year	Week	Lang
M. Hedlund	COM/TKO	97	33	Sheet
Asea Brown Boveri				Rev
				Cont

5492 0394-12