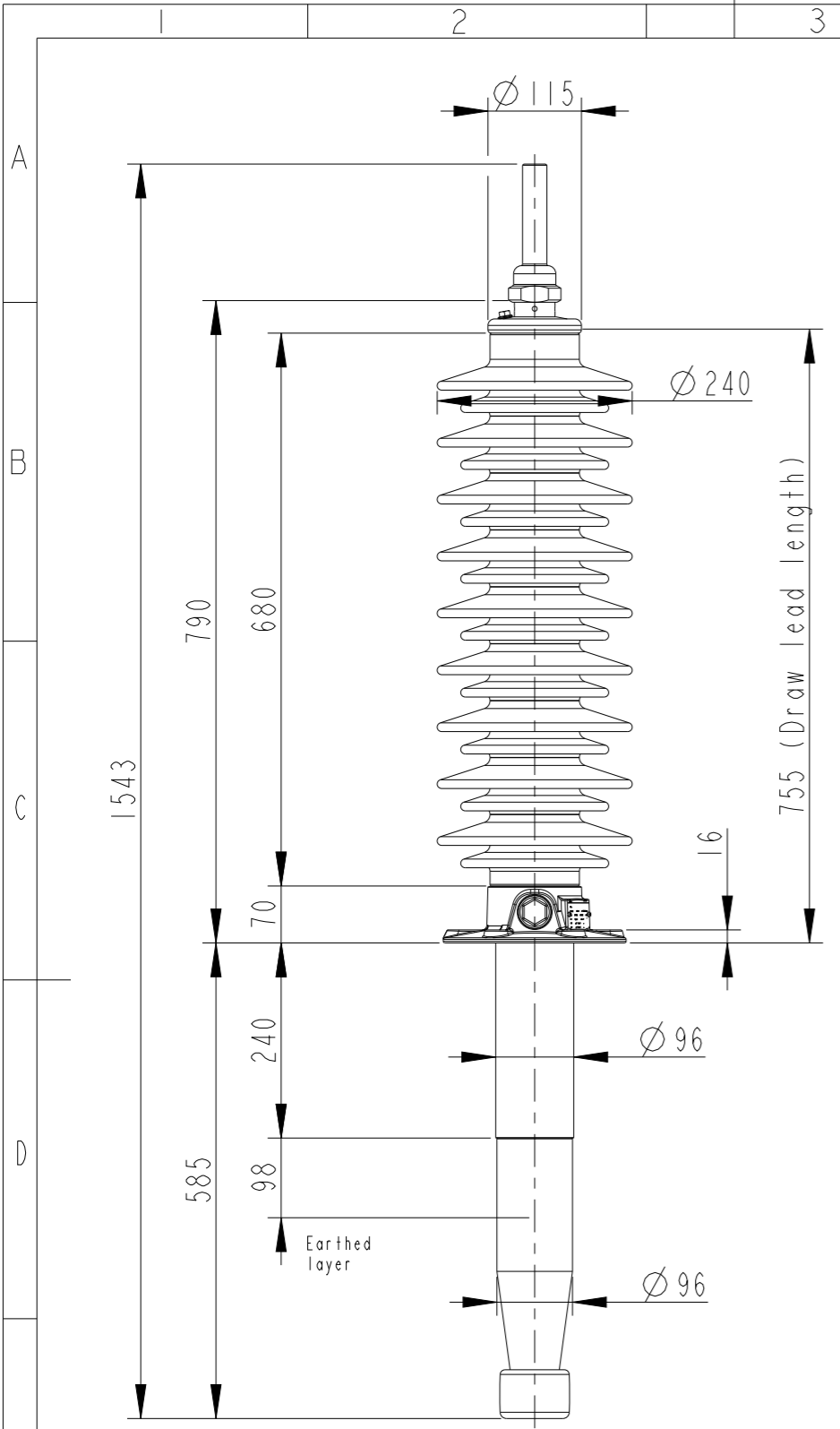


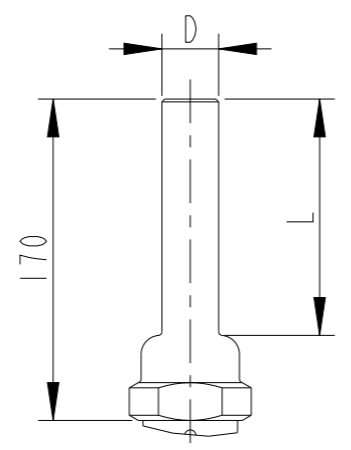
This document is issued by means of a computerized system. The digitally stored original is electronically approved. The approved document has a date entered in the "Approved"-field. A manual signature is not required.

We reserve all rights in this document and in the information contained therein. Reproduction, use or disclosure to third parties without express authority is strictly forbidden.

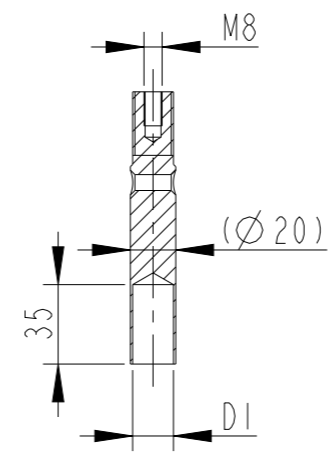
Revision	Revision text
D	Phase to Ground Voltage changed from 72.5 to 58kV



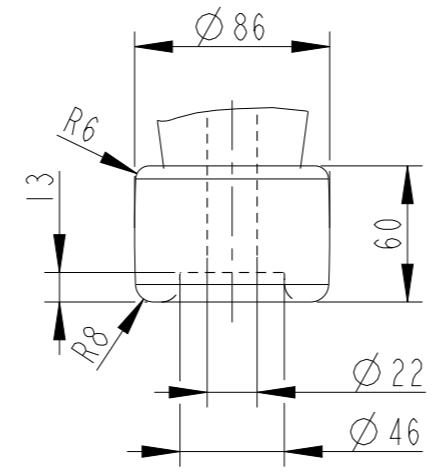
**OUTER TERMINAL**



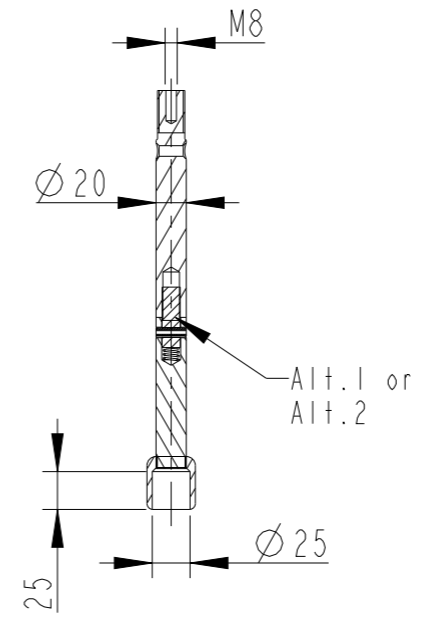
**INNER TERMINAL FOR STRANDED CABLE**



**END SHIELD**



**SOLID ROD CONNECTOR**



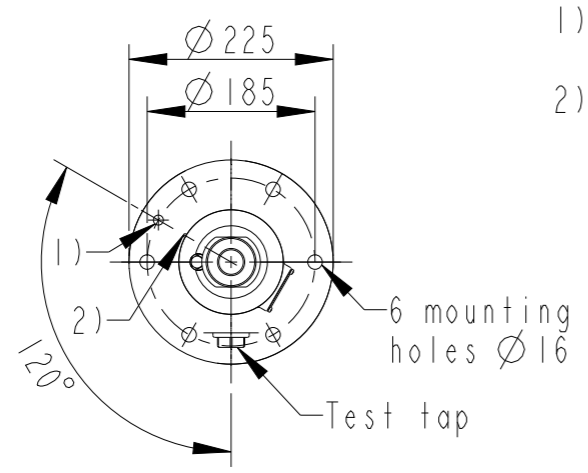
The solid rod can be divided either:  
 Alt.1: 20mm below the bushing flange or  
 Alt.2: 20mm below the upper end of the bottom porcelain

**Bushing Data:**

Rated Voltage	100	kV
Phase to Ground Voltage	58	kV
Dry Lightning Impulse 1,2/50µs	380	kV
Wet power frequency AC	150	kV
Routine test Imin dry 50Hz	162	kV
Rated Current	800	A
Creepage Distance	2210±70	mm
Creepage Distance Protected	870	mm
Mass	39	kg

**Ordering Data:**

<b>BUSHING</b>	COLOUR AIR INSULATOR	
LF123039-K	BROWN	
LF123039-L	LIGHT GREY	
LF123039-HK	BROWN	Horizontal 45°-90°
LF123039-HL	LIGHT GREY	Horizontal 45°-90°
<b>OUTER TERMINAL</b>	Material	D L
LF 170 002-A	Cu Alloy	Ø 30 125
LF 170 001-A	Al	Ø 30 125
OTHER TYPES ON REQUEST		
<b>INNER TERMINAL FOR STRANDED CABLE</b>		
<b>For brazing</b>	Conductor area	D1
LF 170 011-S	up to 150mm²	Ø 18
LF 170 011-U	Undrilled with pilot hole	Ø 5
<b>For crimping or brazing</b>	Conductor area	D1
LF 170 010-M	50mm²	Ø 11
LF 170 010-N	70mm²	Ø 13
LF 170 010-L	95mm²	Ø 15
<b>SOLID ROD CONNECTOR</b>	Material	
LF 170 019 -R for Alt.1	Cu	
LF 170 019 -N for Alt.2	Cu	



- 1) M12 (For Earthing)
- 2) Ø 4 Oil connection hole (only valid for horizontal mounting)

ABB		Ludvika, Sweden	
No.	kV Ir	A 50/60 Hz	
Um	kV SL	kV AC	kV
BL	kg L	mm	°
M	pF Tan δ	x	
C1	pF Tan δ	x	
C2	pF Tan δ	x	

Created by Jacob Stefansson	Reviewed by Joakim Persson	Approved by Natalia Gutman
Approved 2019-12-12	Document Kind Outline Drawing	Based on doc.id Work order id Project id
Company ABB Technology Ltd	Title, Supplementary title GOB 380-800-0.3 WITHOUT OIL LEVEL GAUGE SHORT END SHIELD	
Responsible Department SEABB-9AAE300824	Document id 2751369-129	Status Released
Revision D		Iteration 1/1