

CLE

Indoor or outdoor current transformer



The CLE is primarily used for high current metering on low voltage systems and is available in single or dual ratios. It can be used with uninsulated bus bar or cable up to 600 volts, or with insulated primary conductors at higher voltages.

Product features

- 600 volt, indoor or outdoor
- 10 kV BIL, 25 - 400 Hertz
- 8.25" (210 mm) window opening
- Window plates and bar-types available

Application

The CLE is primarily used for high current metering on low voltage systems and is available in single or dual ratios. It can be used with uninsulated bus bar or cable up to 600 volts, or with insulated primary conductors at higher voltages.

Construction and insulation

The ring-type core and fully distributed winding are assembled to a glass filled polypropylene window liner and injection molded in thermoplastic rubber. The thermoplastic rubber insulating material is permanently molded to the core and coil assembly, resulting in a compact unit with excellent mechanical, thermal, and dielectric characteristics.

Secondary terminals and cover

The CLE is supplied with large compression-type terminals with slotted head screws, a short circuit device, and a clear, rectangular snap-on cover suitable for locking with a meter seal. This clear plastic cover allows a visual check of connections and is keyed to ensure the shorting clip is across the terminals when

no wires are connected. This safety feature avoids dangerous voltages across the secondary terminals if the primary is energized. The center post also serves as a third terminal on dual ratio transformers.

Primary

The large 8.25" (210 mm) window allows for multiple primary conductors. Optional Micarta® window plates are available to change the window opening to a cruciform configuration for direct bus bar sleeve mounting.

Mounting

Optional two-piece mounting feet are constructed of corrosion-resistant aluminum. The CLE may also be secured to a wall panel or bracket by using mounting holes in the transformer body.

Test reports

Test reports are stored electronically and can be e-mailed in various formats at the time of shipment.

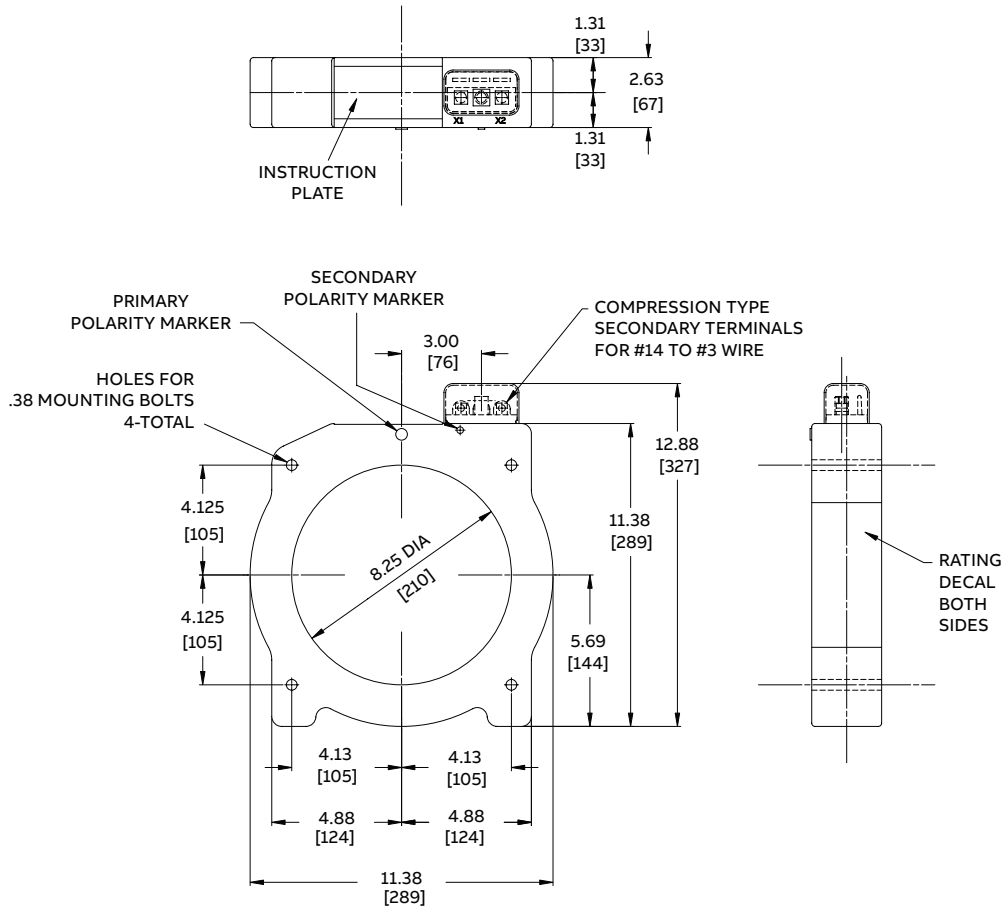
Standards

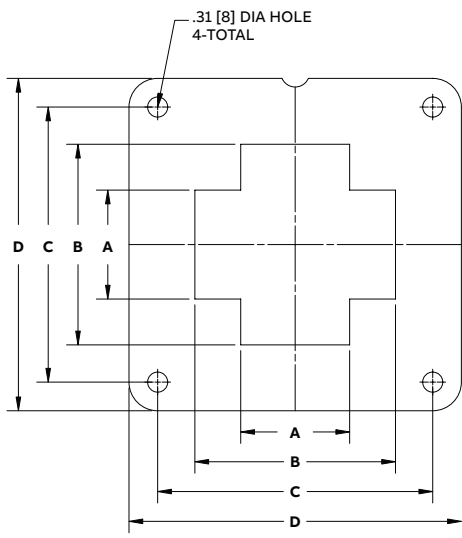
This unit meets or exceeds all requirements of IEEE C57.13-2016 and can be tested to other standards as requested.

UL Recognized Component

The CLE is a UL Recognized Component (file number E96461).

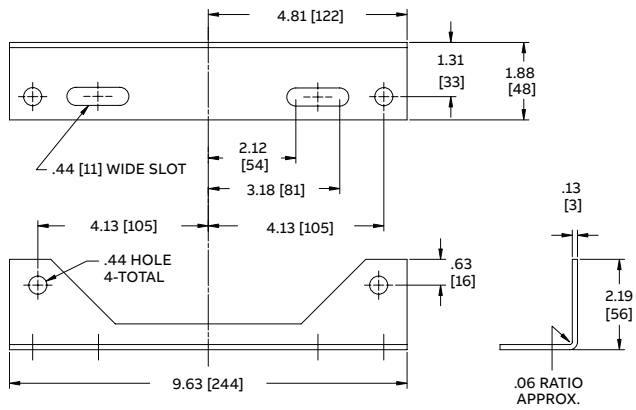
Dimensions (inches [mm])





A	B	C	D	THK
(in)	(mm)	(in)	(mm)	(in)
3.374	86	5.374	137	8.25
210	9.50	241	0.125	3

Window plate



One-piece base

Selection guide: CLE with metering accuracy

Primary ampere rating	Rating factor		IEEE metering accuracy @ 60 Hz	Style number		
	30°C	55°C		without hardware	with two-piece mounting feet	with window plates
2000	2.0	1.5	0.3B-0.9	7524A63G01	7524A64G01	7524A66G01
3000	2.0	1.5	0.3B-1.8	7524A63G02	7524A64G02	7524A66G02
4000	1.5	1.2	0.3B-1.8	7524A63G03	7524A64G03	7524A66G03
5000	1.33	1.0	0.3B-1.8	7524A63G04	7524A64G04	7524A66G04
6000	1.0	0.75	0.3B-1.8	7524A63G05	7524A64G05	7524A66G05
1000/2000	3.0/2.0	2.2/1.5	0.3B-0.5/0.3B-0.9	7524A63G06	7524A64G06	7524A66G06
1500/3000	3.0/2.0	2.2/1.5	0.3B-0.5/0.3B-1.8	7524A63G07	7524A64G07	7524A66G07
2000/4000	2.0/1.5	1.5/1.2	0.3B-0.9/0.3B-1.8	7524A63G08	7524A64G08	7524A66G08
2500/5000	2.0/1.33	1.5/1.0	0.3B-1.8/0.3B-1.8	7524A63G09	7524A64G09	7524A66G09
3000/6000	1.33/1.0	1.0/0.75	0.3B-1.8/0.3B-1.8	7524A63G10	7524A64G10	7524A66G10

*Also available with NEMA 4-hole primary bar, baseplate, and other accessories. Contact your ABB sales representative or call +1-252-827-3212 for more information.
Dual rated CTs with metering and relaying accuracy are available upon request.

Selection guide: CLE with relaying accuracy

Primary ampere rating	Rating factor		IEEE relaying accuracy @ 60 Hz	Style number (no hardware)
	30°C	55°C		
2000	2.0	1.5	C50	923A696G01
3000	2.0	1.5	C100	923A696G02
4000	1.5	1.2	C100	923A696G03
5000	1.33	1.0	C100	923A696G04
1000/2000	3.0/2.0	2.2/1.5	C30/C50	923A696G06
1500/3000	3.0/2.0	2.2/1.5	C50/C100	923A696G07
2000/4000	2.0/1.5	1.5/1.2	C50/C100	923A696G08
2500/5000	2.0/1.33	1.5/1.0	C100/C200	923A696G09

*Also available with NEMA 4-hole primary bar, baseplate, and other accessories. Contact your ABB sales representative or call +1-252-827-3212 for more information.
Dual rated CTs with metering and relaying accuracy are available upon request.

Optional accessories

Accessory	Style number
Mounting feet (set of two with mounting hardware)	9628A05G27
Window plates (set of two with mounting hardware)	9628A05G28