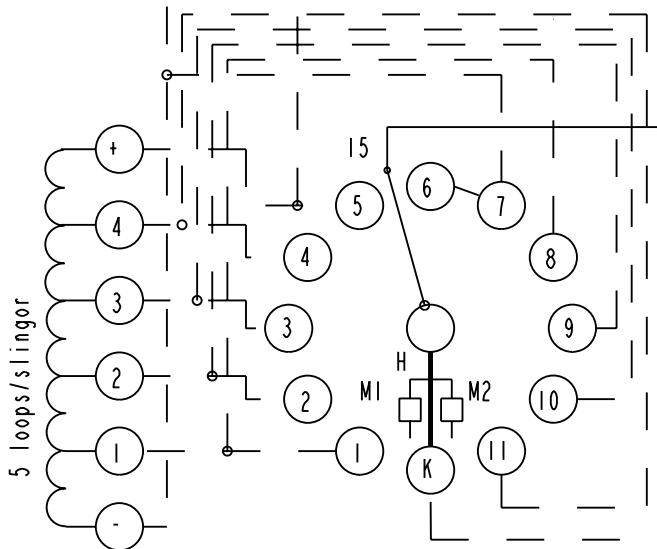
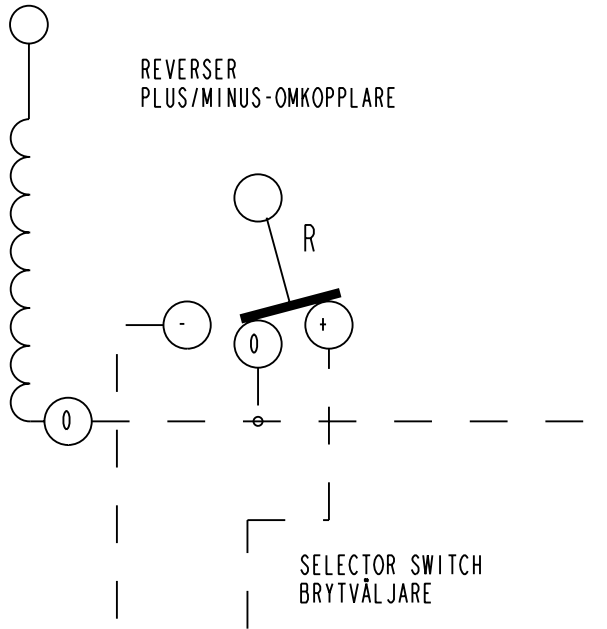


On-load tap-changer type UBBR, 11 tap positions, reverser.  
 Max effective No. of turns in pos 1.  
 The tap-changer is delivered set in pos 6, the preceding pos. was 5.

Lindningskopplare typ UBBR, 11 lägen, plus/minus-koppling.  
 Max antal effektiva varv i läge 1.  
 Lindningskopplaren levereras inställd i läge 6, föregående läge var 5.

Pos Läge	R connects förbinder	H connects förbinder
1	↑	7 - 15
2		8 - 15
3	0+	9 - 15
4	↓	10 - 15
5		11 - 15
6	↑	K - 15
7	↓	1 - 15
8		2 - 15
9	0-	3 - 15
10	↓	4 - 15
11		5 - 15



1) OUTPUT TERMINAL  
STRÖMAVTAGNING

1) Internal connections between the terminals 15 of the three phases are included in the star-point type. Connection between 6 and 7 is included. Dashed lines show in delivery not included leads belonging to cleats and leads.

H Main contact  
Huvudkontakt  
M1, M2 Transition contacts  
Motståndskontakter

Inre förbindningar mellan uttag 15 i de tre faserna ingår i nollpunktsutförande. Förbindning mellan 6 och 7 ingår. Streckade linjer visar i leveransen ej ingående ledare tillhörande anslutningsdonet.

We reserve all rights in this document and in the information contained therein. Reproduction, use or disclosure to third parties without express authority is strictly forbidden. © ABB 19

Sheet Cont  
Year Week  
Dept  
Rev Ind  
Design checked by  
Form No.

Rev	Ind	Revision	Appd	Year	Week
-	-				
Rev Ind	Accepted by	Description (English)		DATA ORIGINAL	
	R. Yngvesson	CONNECTION DIAGRAM UBBR			
Design checked by	Drawn by	Description (own language)		File name	
B-O. Stenestam	L. Bergman	KOPPLINGSSCHEMA UBBR		0388-3	
Drawing checked by	Issued by	Year	Week	Lang	Sheet
M. Hedlund	COM/TKO	97	32		1
Asea Brown Boveri				5492 0388-3	
Rev Ind	Cont				