

# Hazlux® 7 XFM LED

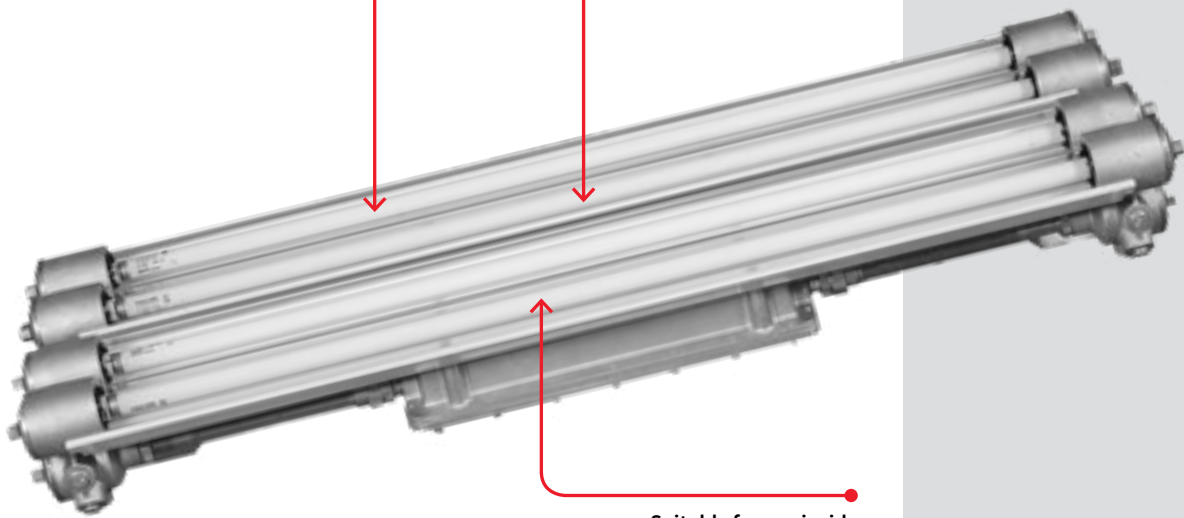
Versatile, lightweight, explosion-proof lighting that is built to last. Can be mounted on walls, ceilings or inside a spray booth.

Performance ranges from 2,800 to 6,600 lumens

Available with 2, 3 and 4 lamps in 4-foot length

Suitable for use inside a spray booth

Factory sealed, lightweight, cast natural aluminum

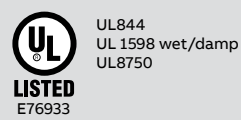


## CLASSIFICATION

<b>CLASS I</b>	
Division 1	Groups C, D
Division 2	Groups A, B, C, D
Zone 1	Groups IIB, IIA
<b>CLASS II</b>	
Division 1	Group E, F, G
Division 2	Group E, F, G
<b>CLASS III</b>	
CLASS I and II Simultaneous Presence	

Contact your ABB sales representative to verify classification

## CERTIFICATIONS



# Hazlux® 7 XFM LED

## Key features and benefits

### Standard features

- Factory-sealed, lightweight cast natural aluminum
- 5 Different ½" NPT hubs entries at each end
- Center ballast placement for better balance and low profile
- Available with 2, 3 or 4 lamps in 4-foot length
- One-piece painted aluminum reflector
- Suitable for use inside a spray booth

### Construction

- Cast natural aluminum
- 0.189" wall borosilicate glass tubes

### Electrical

- Available with low or standard ballast factor
- Wattage ranging from 29 W in the 2-lamp standard configuration, to 58 W in the 4-lamp configuration (see wattage table below)
- Voltage of 120 to 277 (50/60Hz) and 347 available
- Superior CRI (80+)

### Options

- Wall and ceiling mount kit (4 lamps)
- Wire guard
- Polycarbonate shield
- 93% reflective premium specular reflector insert

### Accessories

- Wall, ceiling and drop mount kit

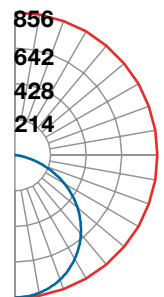
### Performance

Lamp qty.	Source (ballast factor)	Average system watts	Initial lumen output	Color temperature
2 Lamp	S - Standard	29	3200, 3300	4000K, 5000K
3 Lamp	S - Standard	43.5	4800,4950	4000K, 5000K
4 Lamp	S - Standard	58	6400,6600	4000K, 5000K

### Photometry ceiling mount

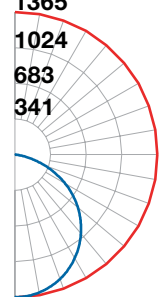
Reference data	
Catalog number	<b>XFMLEDS5K24UN</b>
Luminaire lumens	3,024 Lumens (2 lamps)
Luminaire efficacy rating (LER)	105
Input watt	28.68
Spacing criterion (0-180)	1.26
Spacing criterion (90-270)	1.40
Spacing criterion (diagonal)	1.48

### Candlepower curve



Reference data	
Catalog number	<b>XFMLEDS5K34UN</b>
Luminaire lumens	4,803 Lumens (3 lamps)
Luminaire efficacy rating (LER)	110
Input watt	43.72
Spacing criterion (0-180)	1.26
Spacing criterion (90-270)	1.40
Spacing criterion (diagonal)	1.48

### Candlepower curve



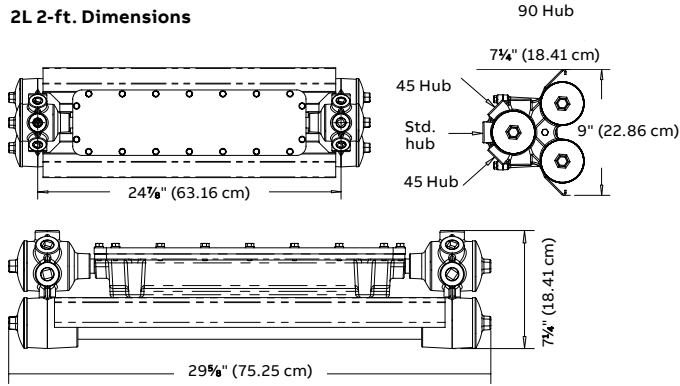
### T-Ratings

Model	Rated ambient (°C)	Class I, Division 1 Groups C, D	Class I, Division 2 Groups A, B, C, D	Class II, Division 1 Groups E, F, G	Class II, Division 2 Groups E, F, G	Class I and II simultaneous presence
XFMLED	40	T6 (85°C)	T6 (85°C)	T4 (135°C)	T4 (135°C)	T4 (135°C)

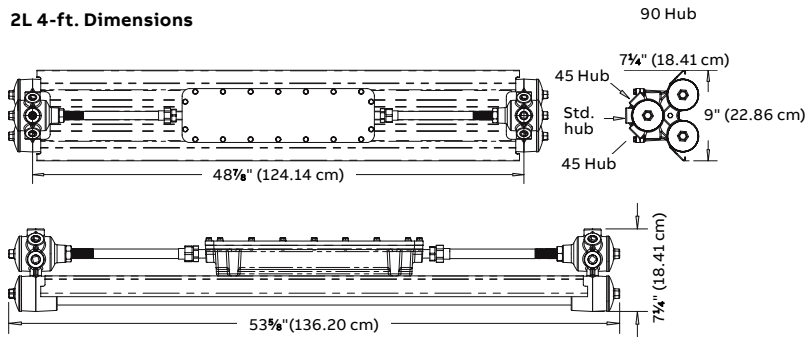
# Hazlux® 7 XFM LED

## Dimensions

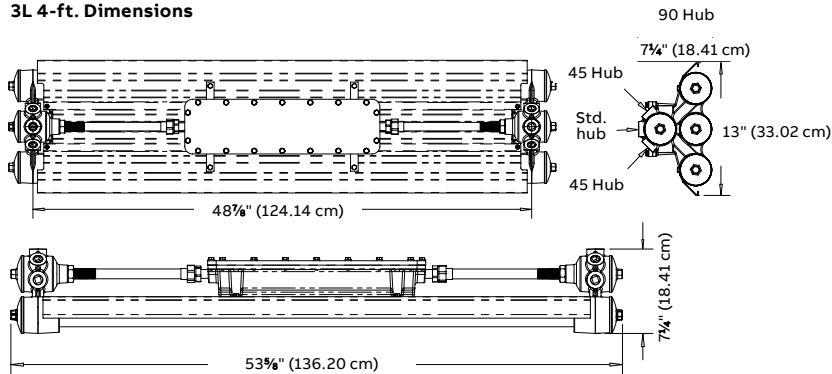
### 2L 2-ft. Dimensions



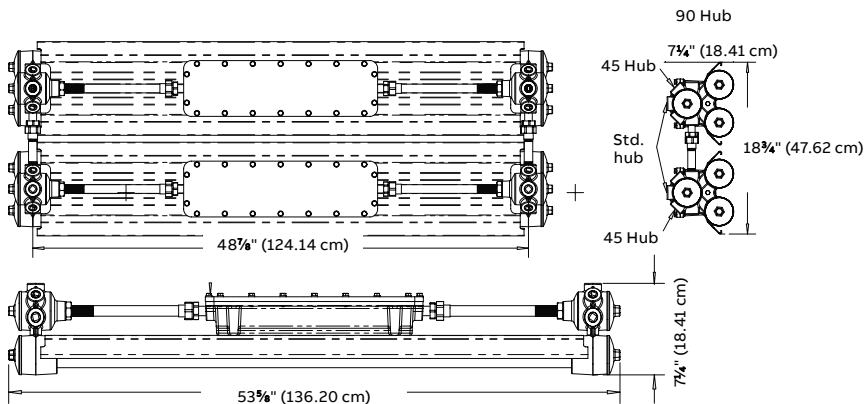
### 2L 4-ft. Dimensions



### 3L 4-ft. Dimensions



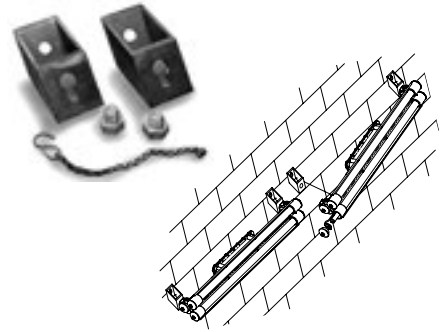
### 4L 4-ft. Dimensions



## Mounting options

### Wall/ceiling mount kit for 2 or 3 lamps

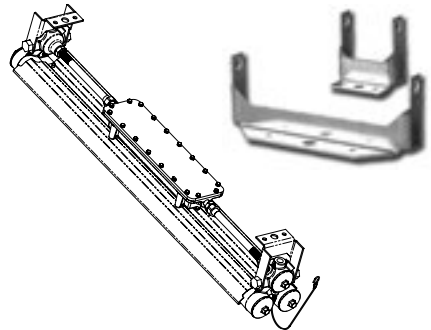
P/N: XFM-4401



### Wall/ceiling mount kit for 4 lamps

P/N: XFM-4400

These are factory fitted. Please contact sales office for further details.

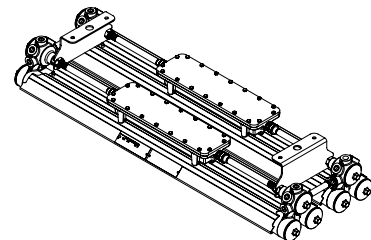


### Drop-mount kit for 2 or 3 lamps

P/N: XFM-4405

### For 4 lamps

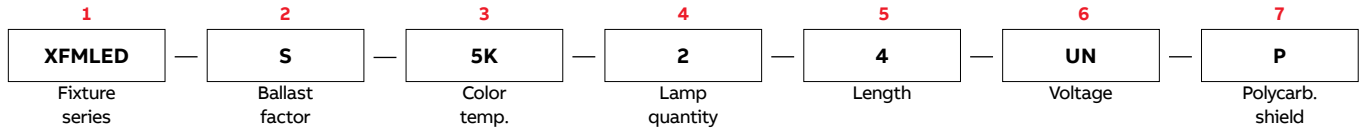
P/N: XFM-4403



# Hazlux® 7 XFM LED

## Numbering system

### Lighting fixture



### Lighting fixture

Part	Part number	Description
1 Fixture series	<b>XFMLED</b>	Hazlux vapor / dust proof lighting
2 Ballast factor	<b>S</b>	Standard ballast factor
3 Color temperature	<b>4K</b>	4000K
	<b>5K</b>	5000K
4 Lamp quantity	<b>2</b>	2 lamp configuration, 4' length
	<b>3</b>	3 lamp configuration, 4' length
	<b>4</b>	4 lamp configuration, 4' length
5 Length	<b>4</b>	4' length
6 Voltage	<b>UN</b>	Universal 120–277 volt 50/60 Hz
	<b>34</b>	347 Volt

### Options

Part	Part number	Description
7 Options	<b>P</b>	Polycarbonate shield
	<b>WG</b>	Stainless steel guard (not for use in paint spray applications)
	<b>MK</b>	Wall/ceiling mount kit (4 lamps)
	<b>XFM-4401</b>	Wall/ceiling mount kit for 2 or 3 lamps (order separately)
	<b>XFM-4405</b>	Drop mount kit for 2 or 3 lamps (order separately)
	<b>XFM-4403</b>	Drop mount kit for 4 lamps (order separately)

