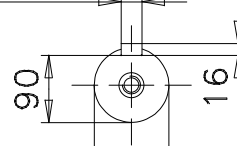
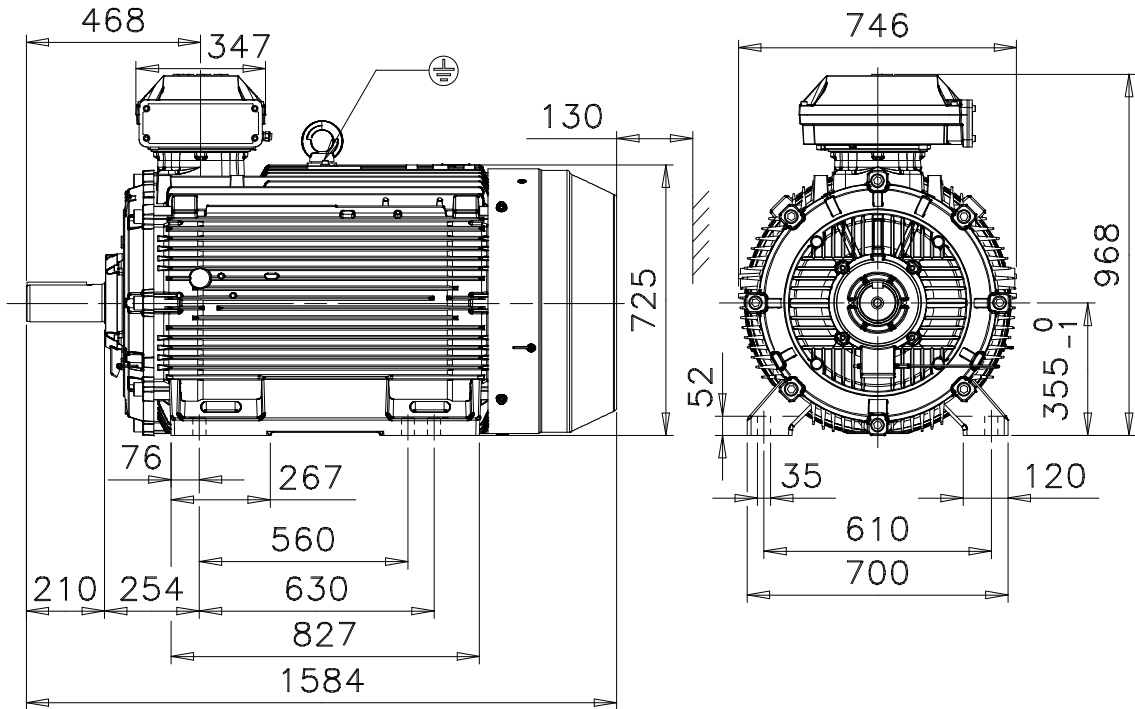


28h9 ( $-\overset{0}{0.052}$ )



$\varnothing 100m6 (\overset{+0.035}{+0.013})$



Additional information:

<b>Dimension Print</b>	Motor Type: M3KP 355ML_4-12 B3, B6, B7, B8, V63	Document No: 3GZF500135-25 B 13 KP 355 A
	Description: STANDARD SQUIRREL CAGE MOTOR, TERMINAL BOX 370	
Unit: Electrical Machines, LV Motors	Issued by: M.Ulvila	Replaces:
Date: 03.04.2003	Approved by: M.Sevola	Replaced by:
<b>ABB Oy</b>	Customer Reference:	<b>ABB</b>