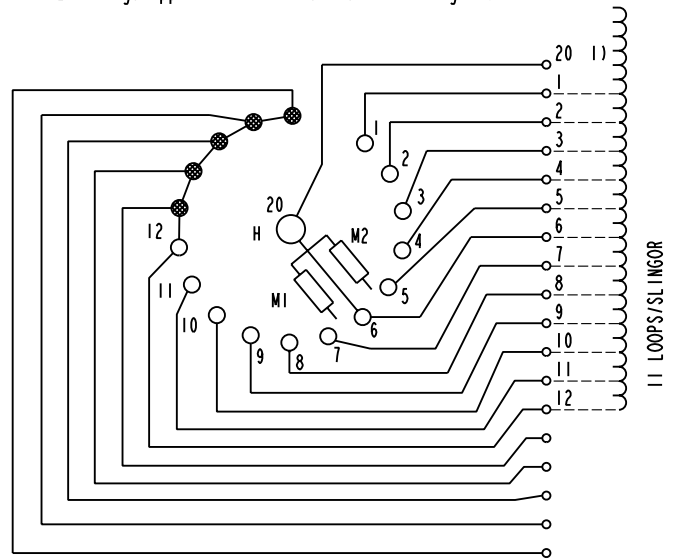


We reserve all rights in this document and in the information contained therein. Reproduction, use or disclosure to third parties without express authority is strictly forbidden. © ABB 19

Pos. Läge	H connects H förbinder
1	1 - 20
2	2 - 20
3	3 - 20
4	4 - 20
5	5 - 20
6	6 - 20
7	7 - 20
8	8 - 20
9	9 - 20
10	10 - 20
11	11 - 20
12	12 - 20

On-load tap-changer type UZEL., UZFL., 12 tap positions, linear switching.
Min. effective No. of turns in pos. 1.
The tap-changer is delivered set in pos. 6.

Lindningskopplare typ UZEL., UZFL., 12 lägen, linjär koppling.
Min. antal effektiva varv i läge 1.
Lindningskopplaren levereras inställd i läge 6.

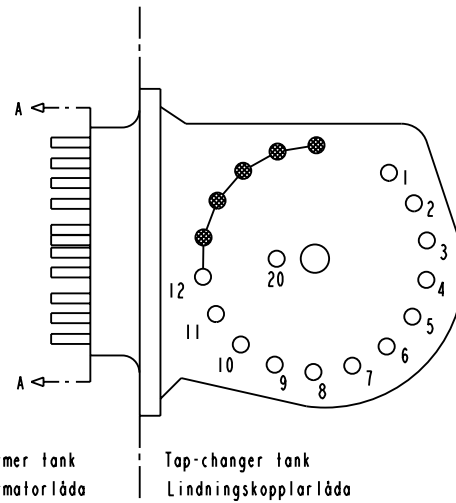
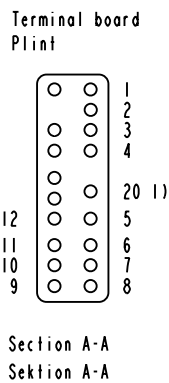


The tap-changer is shown in pos. 6
Lindningskopplaren visad i läge 6

H Main contact M1, M2 Transition contacts
Huvudkontakt Motståndskontakter

1) Connections between the terminals 20 of the three phases are included in the star-point type.

Förbindningar mellan uttag 20 i de tre faserna ingår i nollpunktsutförandet.



Form No.	Year	Week	Revision		Appd	Year	Week	Description (English)	DATA ORIGINAL
			Rev	Ind					
Sheet	Cont	Cont	-	-	-	-	-	Accepted by qual control	Accepted for prod by
Design checked by	B-O. Stenestam	L. Bergman	Description (own language)		KOPPLINGSSCHEMA		File name	0396-8	
Design checked by	M. Hedlund	COM/TKO 97 33	Description (own language)		KOPPLINGSSCHEMA		Lang	Sheet	
Rev	Ind	Cont	Description (own language)		KOPPLINGSSCHEMA		Lang	Sheet	
ABB			Asea Brown Boveri		5492 0396-8		Rev	Ind	