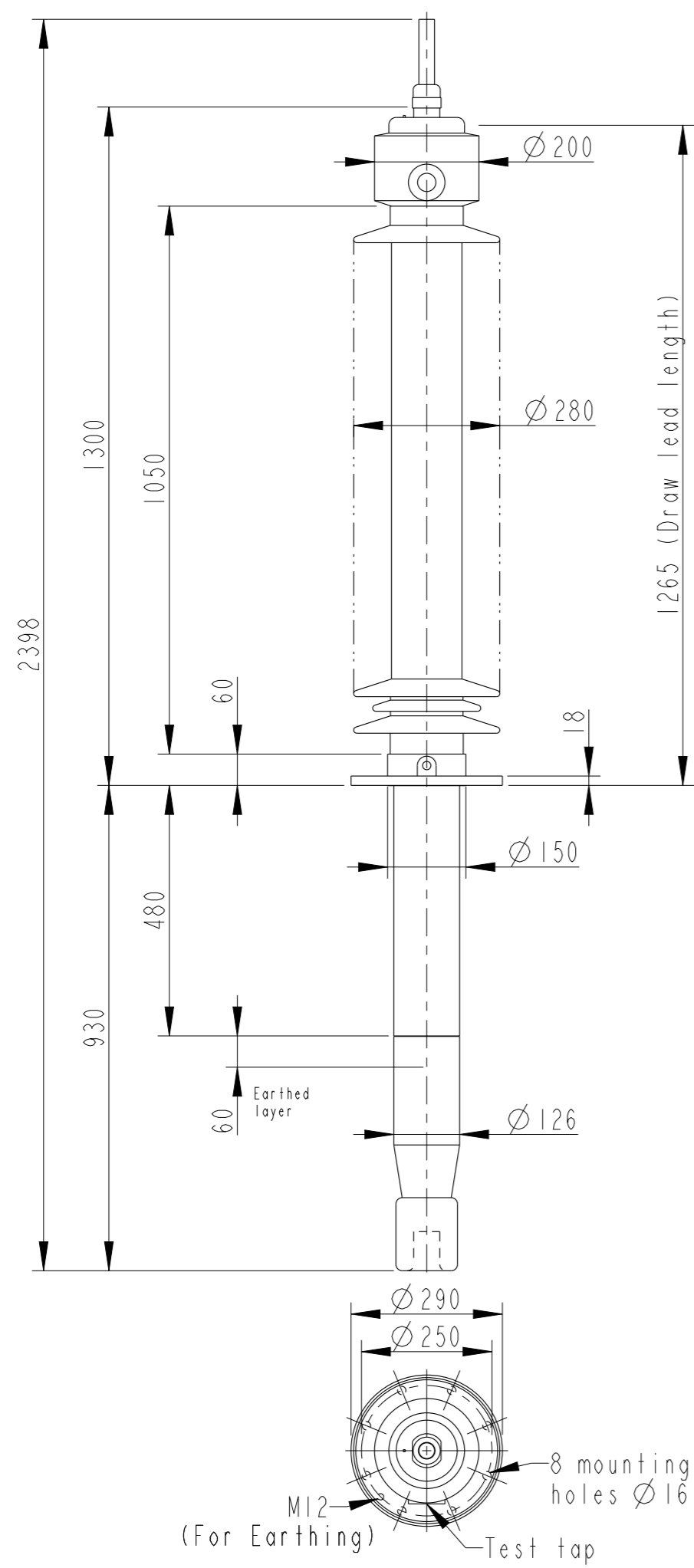
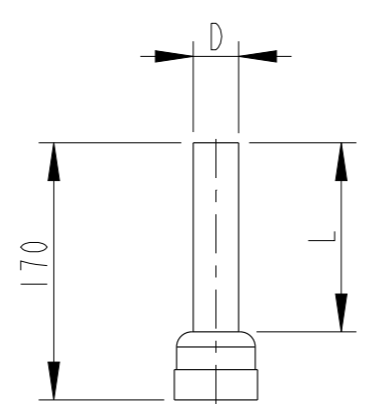


This document is issued by means of a computerized system. The digitally stored original is electronically approved. The approved document has a date entered in the "Approved"-field. A manual signature is not required.

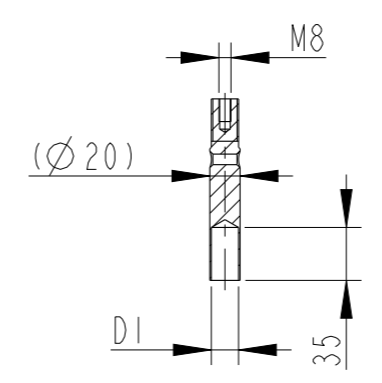
The information contained in this document has to be kept strictly confidential. Any unauthorized use, reproduction, distribution or disclosure to third parties are strictly forbidden. ABB reserves all rights regarding Intellectual Property Rights. © Copyright 2008 ABB. All rights reserved.



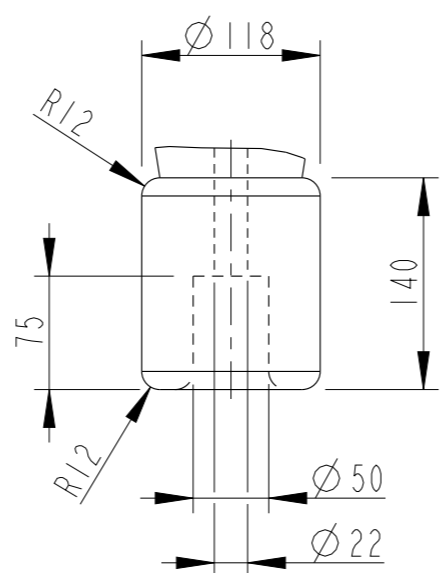
OUTER TERMINAL



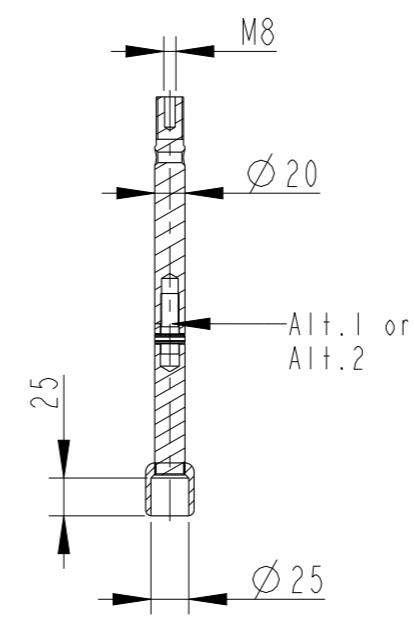
INNER TERMINAL FOR STRANDED CABLE



END SHIELD



SOLID ROD CONNECTOR



The solid rod can be divided either:
 Alt.1: 20mm below the bushing flange or
 Alt.2: 20mm below the upper end of the bottom porcelain

Note:
 Mounting inclination 0-45°.
 ▲ For inclined and horizontal mounting, see Installation and Maintenance Guide.

Bushing Data:

Rated Voltage	170	kV
Phase to Ground Voltage	123	kV
Dry Lightning Impulse 1,2/50µs	550	kV
Wet power frequency AC	230	kV
Routine test Imin dry 50Hz	260	kV
Rated Current	800	A
Creepage Distance	3890±100	mm
Creepage Distance Protected	1530	mm
Mass	78	kg

Ordering Data:

BUSHING	COLOUR AIR INSULATOR
LF123191-M	BROWN
-N	LIGHT GREY
OUTER TERMINAL	Material D L
LF 170 002-A	Cu alloy, Ø30,125
LF 170 001-A	Al, Ø30,125
OTHER TYPES ON REQUEST	
INNER TERMINAL FOR STRANDED CABLE	
For brazing	Conductor area D1
LF 170 011-S	up to 150mm ² Ø18
LF 170 011-U	Undrilled with pilot hole Ø5
For crimping or brazing	Conductor area D1
LF 170 010-M	50mm ² Ø11
LF 170 010-N	70mm ² Ø13
LF 170 010-L	95mm ² Ø15
SOLID ROD CONNECTOR	Material
LF 170 019 -BH for Alt.1	Cu
LF 170 019 -BK for Alt.2	Cu

ABB		Ludvika, Sweden	
No.	Um/Uy	kV Ir	A 50/60 Hz
BL	kV SL	kV AC	kV
M	kg L	mm	°
C1	pF	Tan δ	x
C2	pF	Tan δ	x

Prepared	Palpandi K	2013-04-23	Responsible department	PPCO/BK	Title	GOB 550-800-0.5	Language 82
Modified by	Palpandi K	2013-04-25	Take over department		WITH OIL LEVEL GAUGE LONG END SHIELD		
Approved by	Niklas Olsson	2013-04-29	Used in product				
Revision	B	Note added	Order		Document no.	2751369-210	Sheet no. 1
No. Shts.						(1)	

8 mounting holes Ø16
 M12 (For Earthing)
 Test tap