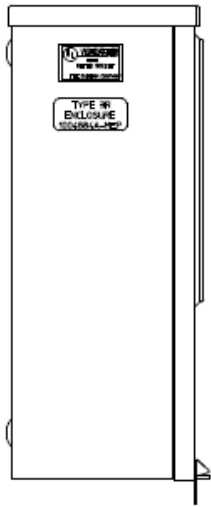
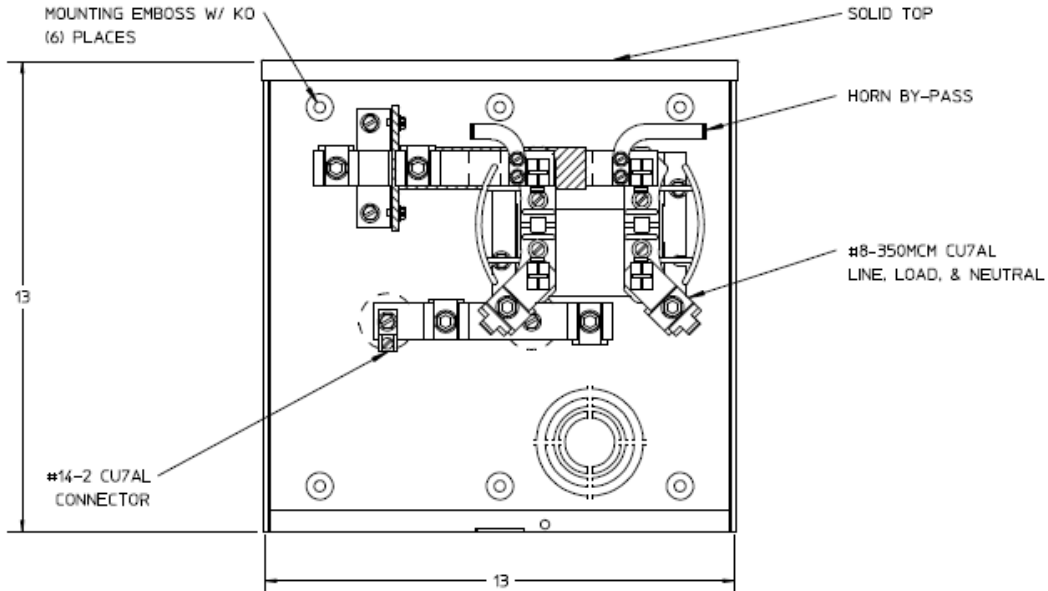


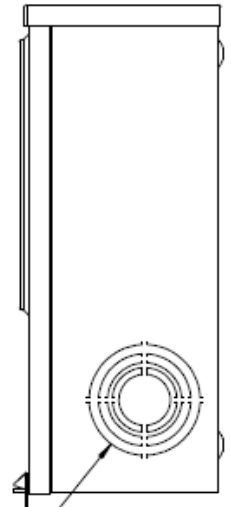
**Left Side View**



**Front View Interior**



**Right Side View**

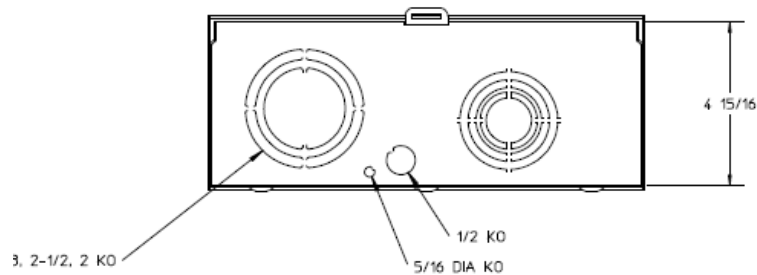


2-1/2, 2, 1-1/2, 1-1/4, 1 KO  
(3) PLACES

**Notes**

- 1) FINISH: GRAY
- 2) CABINET: 16 GA GALV. STEEL
- 3) 200 AMP CONTINUOUS  
600 VAC, 1 PHASE, 3 WIRE
- 4) TEMPORARY CARDBOARD METER OPENING COVER PROVIDED.
- 5) MIDWEST LABEL ATTACHED TO THE END OF THE CARTON.
- 6) MIDWEST LOGO STAMPED IN THE LOWER LEFT-HAND CORNER OF FRONT.

**Bottom View**




METER SKT -(1) 200A 600V 1P3W 16GA STL N3R 4TRM  
SOLID TOP BOTTOM FEED HORN BYPASS

CAT NO	DWG DATE	REV #
1004884AMEP	06/07/2018	01