

REVISIONS

REV	ACTION	DRAWN	CHECKED	APPROVED	DATE
AK	D10240	KASTNER	KASTNER	HOLLAND	00/09/08
AL	D11820	KASTNER	KASTNER	HOLLAND	01/09/07
AM	D20706	KASTNER	KASTNER	BUSHNELL	07/08/22

NOTES:

1 THESE SIGNALS NOT AVAILABLE ON 2015333-XXX/2100204-001 (CB195) & 2102838-XXX (XFC G4) UNLESS COMM MODULE IS USED.

2 NOT CONNECTED ON RS485

3 SEE SH 2

4 SEE SH 4 & 7

5 SEE SH 4 & 7

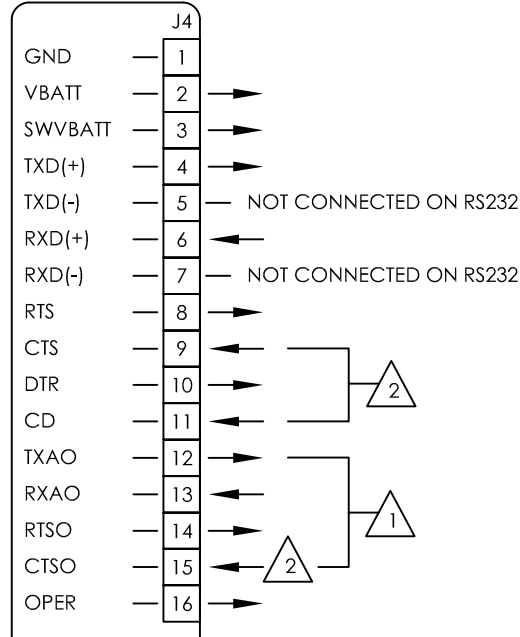
6 SEE SH 4 & 7

7 SEE SH 4 & 7

8 GLOSSARY OF TERMS

9 SEE SH 4 & 7

FCU MODEL 6410/6411/6413/6414



ASSEMBLY/QUANTITY	ITEM NO.	PART NUMBER	DESCRIPTION	REF/ZONE DESIG MATERIAL	UNIT MEAS
DO NOT SCALE DRAWING	UNLESS OTHERWISE SPECIFIED DIMENSIONS ARE IN INCHES	PRODUCT LINE TOTALFLOW®	LEVEL 3	ABB TOTALFLOW Products	
THIRD ANGLE PROJECTION	TOLERANCES ARE: DECIMAL .XX ± - ANGULAR .XXX ± --	DESIGN G. HOLLAND	DATE 94/12/05	TITLE WIRING INTERCONNECT	
	BREAK ALL SHARP CORNERS AND EDGES DIMENSIONS APPLY BEFORE FINISH	DRAWN B. ROBERTSON	94/12/02	RS485/RS232 FOR FCU (64XX/67XX), RTU (6490/6790/6890)	
		CHECKED WIDENER	94/12/15	WI	
		APPROVED G. HOLLAND	94/12/05	SCALE NONE	SIZE B
				DOC TYPE WI	DRAWING NO. 2015225
				REV AM	SHEET 1 OF 15



COMM MODULE CANNOT BE USED IN REMOTE
COMM 1 IF A RS232 OR RS485 TYPE CARD
IS USED IN I/O INTERFACE OPTION.

FCU MODEL 6713/6714 (CB181 PCBA)

	REMOTE COMM 1		CARD	
	MODULE			
J4	RS232	RS485	RS232	RS485
1	VBATT	VBATT	VBATT	VBATT
2	GND	GND	GND	GND
3	SWVBAT	SWVBAT	SWVBAT	SWVBAT
4	TXD	BUS(+)	TXD	TRM(-)
5		BUS(+)		
6	RXD	BUS(-)	RXD	BUS(-)
7		BUS(-)		TRM(+)
8	RTS	RRTS	RTS	BUS(+)
9	CTS		CTS	AO(-)
10	DTR		DTR	RRTS
11	DCD		DCD	AO(+)
12	OPER	OPER	OPER	OPER
13	GND			

	REMOTE COMM 2	
	MODULE	
J5	RS232	RS485
1	VBATT	VBATT
2	GND	GND
3	SWVBAT	SWVBAT
4	TXD	BUS(+)
5		BUS(+)
6	RXD	BUS(-)
7		BUS(-)
8	RTS	RRTS
9	CTS	
10	DTR	
11	DCD	
12	OPER	OPER
13	GND	

	REMOTE COMM 3	
	MODULE	
J6	RS232	RS485
1	VBATT	VBATT
2	GND	GND
3	SWVBAT	SWVBAT
4	TXD	BUS(+)
5		BUS(+)
6	RXD	BUS(-)
7		BUS(-)
8	RTS	RRTS
9	CTS	
10	DTR	
11	DCD	
12	OPER	OPER
13	GND	

RTU195 PCBA (2100355-XXX)
2103022-XXX (XRC G4)

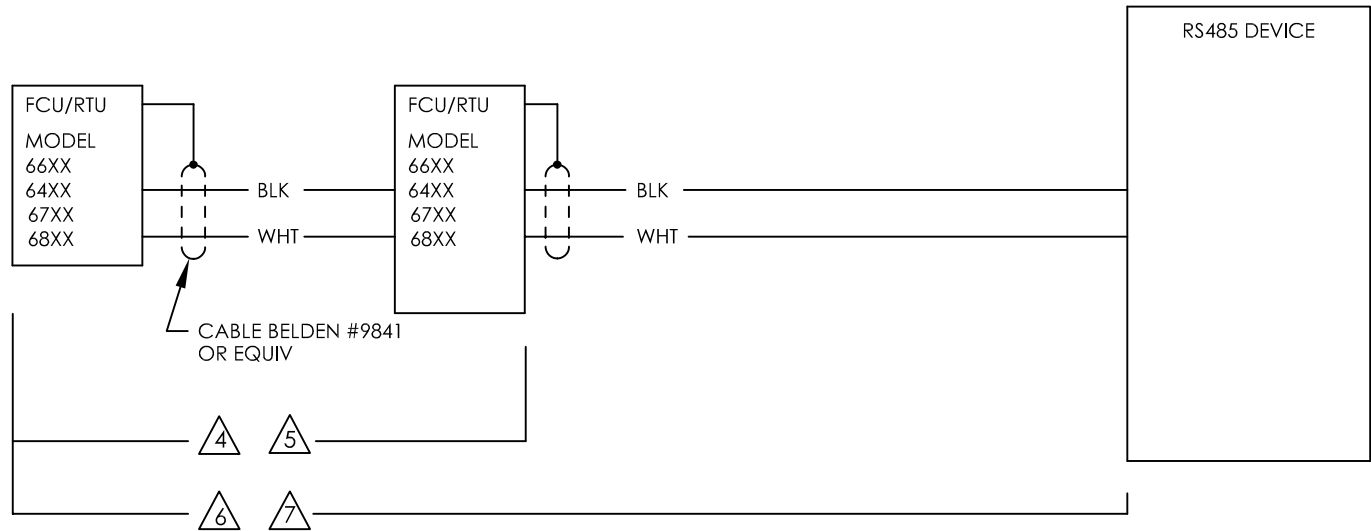
	REMOTE COMM 1	
	MODULE	
J6	RS232	RS485
1A	VBATT	VBATT
2A	GND	GND
3A	SWVBAT	SWVBAT
4A	OPER	OPER
5A	RTS	RRTS
6A	DCD	BUS(-)
7A	RXD/	BUS(-)
8A	CTS/	BUS(+)
9A	TXD/	BUS(+)

	REMOTE COMM 2	
	MODULE	
J6	RS232	RS485
1B	VBATT	VBATT
2B	GND	GND
3B	SWVBAT	SWVBAT
4B	OPER	OPER
5B	RTS	RRTS
6B	DCD	BUS(-)
7B	RXD/	BUS(-)
8B	CTS/	BUS(+)
9B	TXD/	BUS(+)

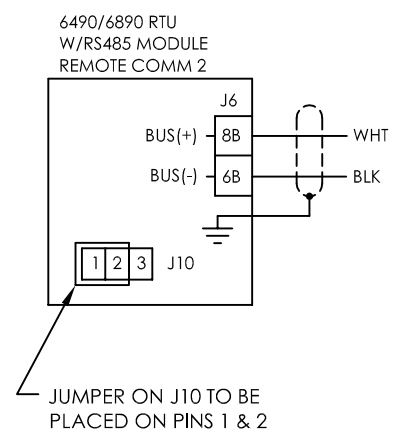
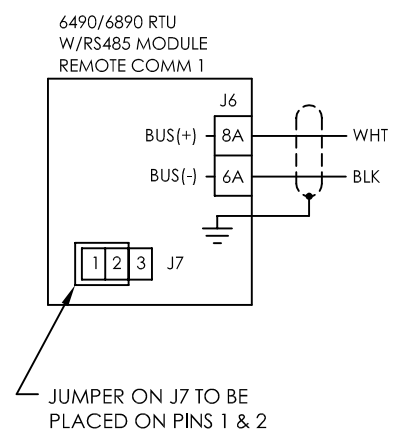
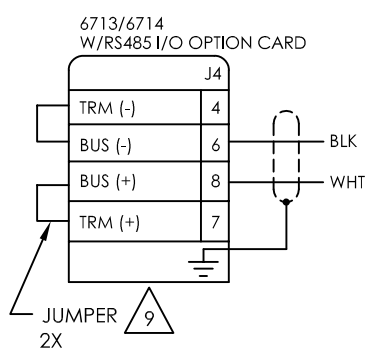
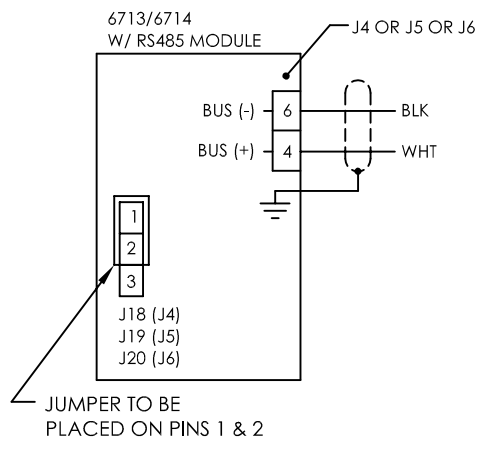
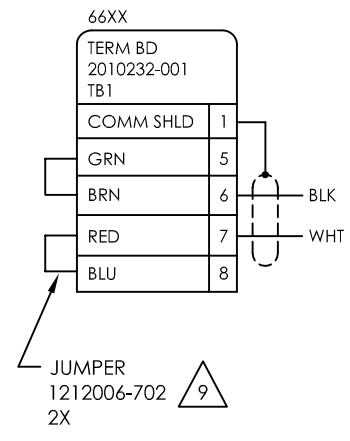
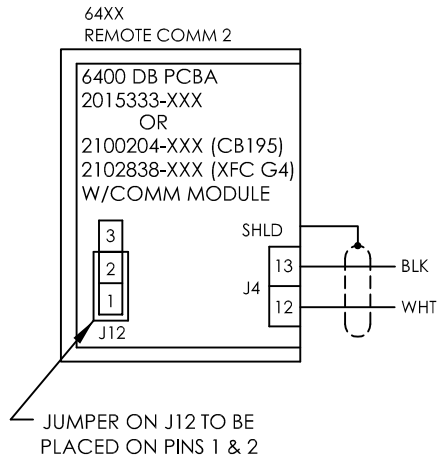
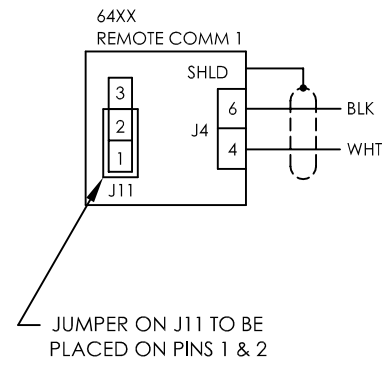
OPTIONAL EQUIPMENT

RS485 SPECIFICATIONS:

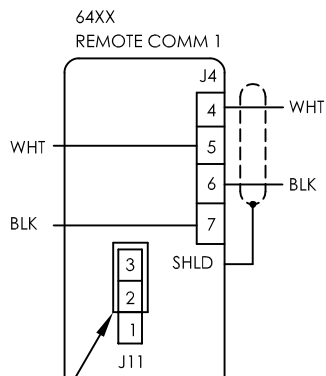
- 4 ALL FCU OF SAME MODEL ARE WIRED IDENTICAL EXCEPT THE LAST FCU.
- 5 66XX FCU's AND 64XX FCU's MAY BE MIXED TOGETHER.
- 6 MAX NUMBER OF LOADS THAT MAY BE CONNECTED IN SERIES IN THIS SITUATION USING RS485 COMMUNICATION IS 10.
- 7 TOTAL LENGTH OF RS485 CABLE IN THIS SITUATION NOT TO EXCEED 1000 FEET.
- 9 JUMPERS NOT NEEDED IF I/O OPTION BD IS RS485 EXPIO: 2015452-001
2017475-001/002/003



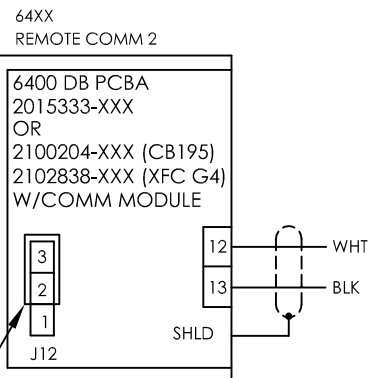
LAST FCU/RTU
2 WIRE CONFIG



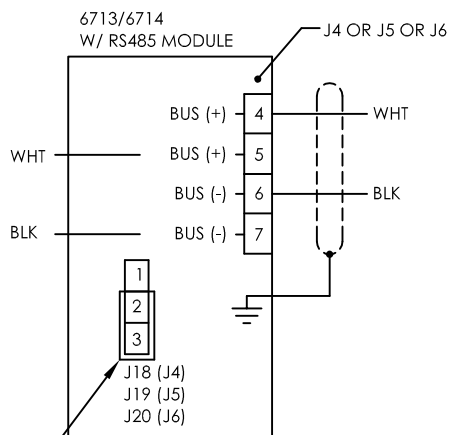
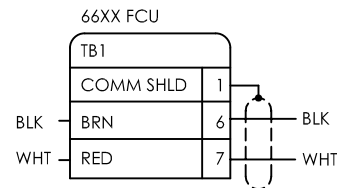
FIRST OR INTERMEDIATE
2 WIRE CONFIG



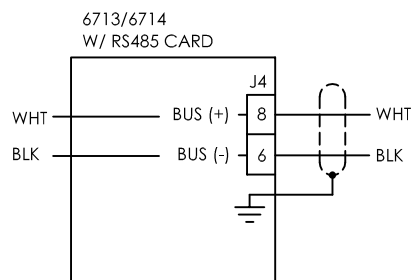
JUMPER ON J11 TO BE
PLACED ON PINS 2 & 3



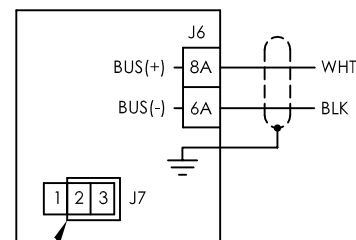
JUMPER ON J12 TO BE
PLACED ON PINS 2 & 3



JUMPER TO BE
PLACED ON PINS 2 & 3

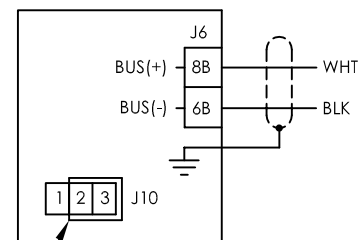


6490/6890 RTU
W/RS485 MODULE
REMOTE COMM 1



JUMPER ON J7 TO BE
PLACED ON PINS 2 & 3

6490/6890 RTU
W/RS485 MODULE
REMOTE COMM 2

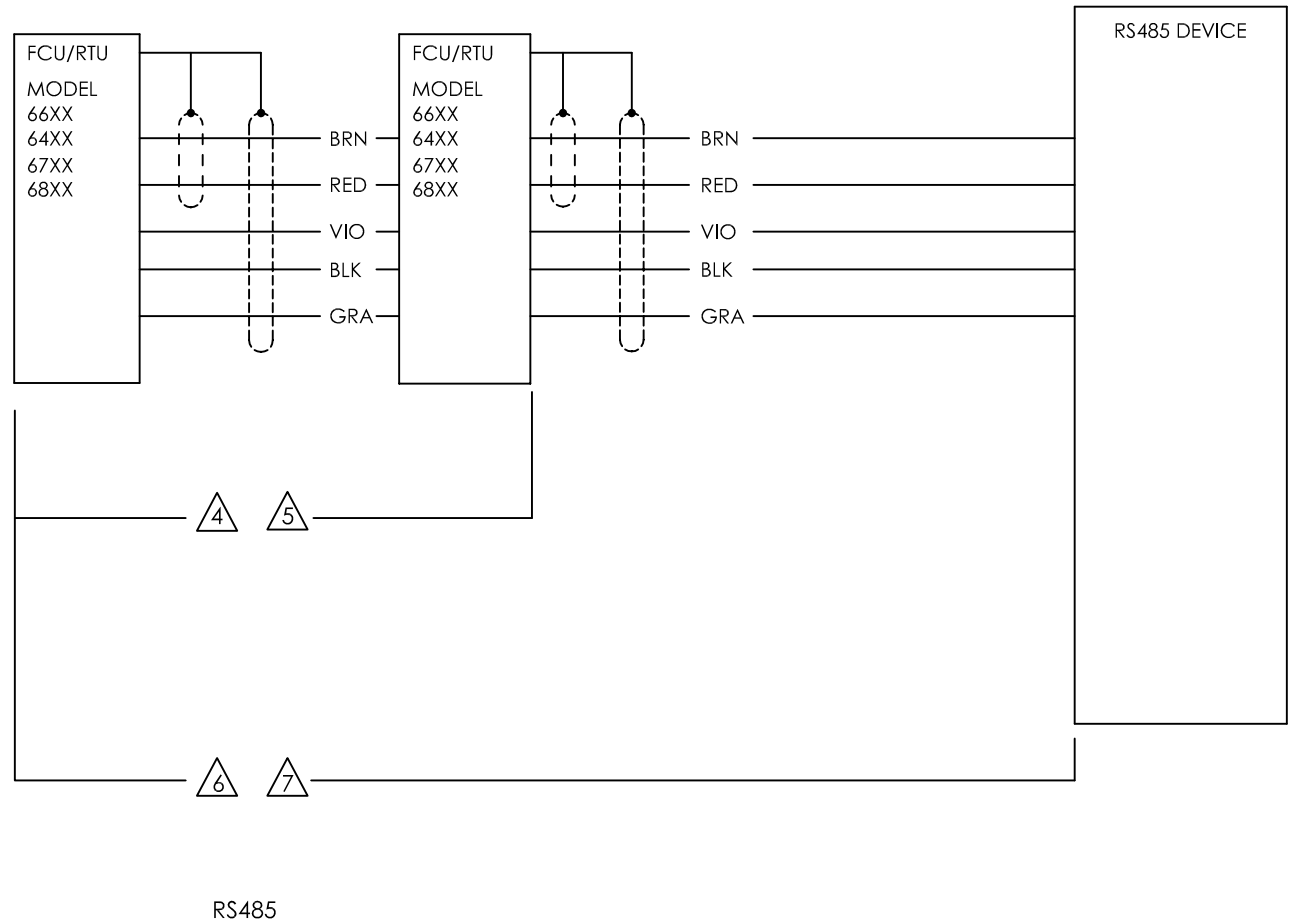


JUMPER ON J10 TO BE
PLACED ON PINS 2 & 3

OPTIONAL EQUIPMENT

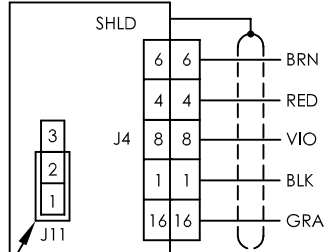
RS485 SPECIFICATIONS:

- 4 ALL FCU OF SAME MODEL ARE WIRED IDENTICAL EXCEPT THE LAST FCU.
- 5 66XX FCU's AND 64XX FCU's MAY BE MIXED TOGETHER.
- 6 MAX NUMBER OF LOADS THAT MAY BE CONNECTED IN SERIES IN THIS SITUATION USING RS485 COMMUNICATION IS 10.
- 7 TOTAL LENGTH OF RS485 CABLE IN THIS SITUATION NOT TO EXCEED 1000 FEET.
- 9 JUMPERS NOT NEEDED IF I/O OPTION BD IS RS485 EXPIO: 2015452-001
2017475-001/002/003



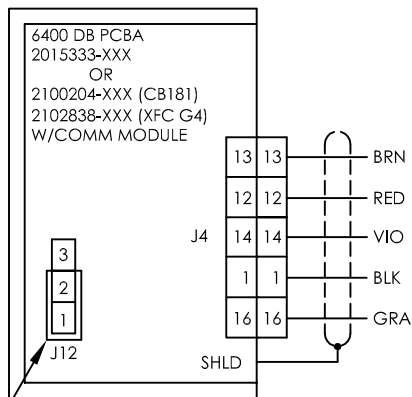
LAST FCU/RTU

64XX
REMOTE COMM 1



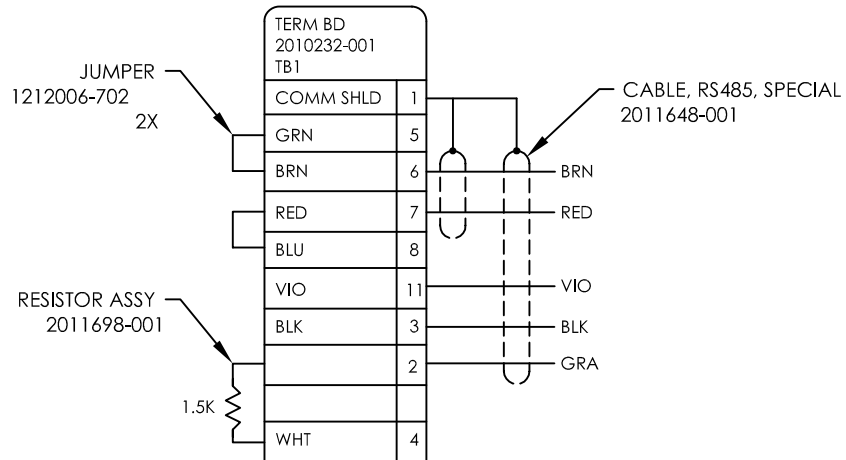
JUMPER ON J11 TO BE PLACED ON PINS 1 & 2

64XX
REMOTE COMM 2



JUMPER ON J12 TO BE PLACED ON PINS 1 & 2

66XX

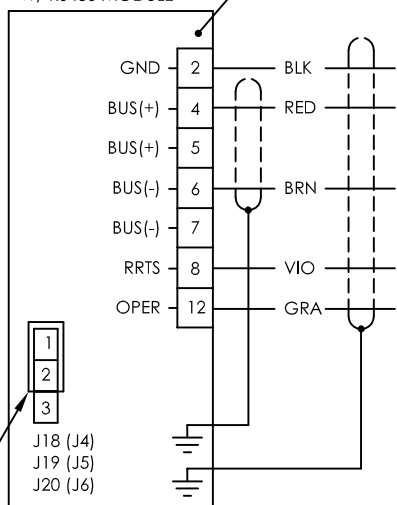


JUMPER 1212006-702 2X

RESISTOR ASSY 2011698-001 1.5K

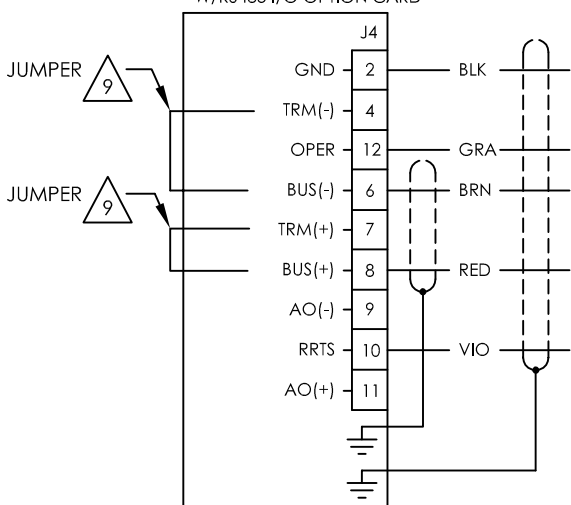
CABLE, RS485, SPECIAL 2011648-001

6713/6714
W/ RS485 MODULE

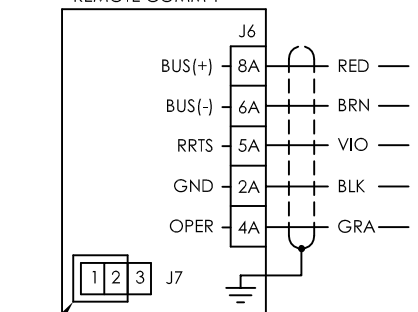


JUMPER TO BE PLACED ON PINS 1 & 2

6713/6714
W/RS485 I/O OPTION CARD

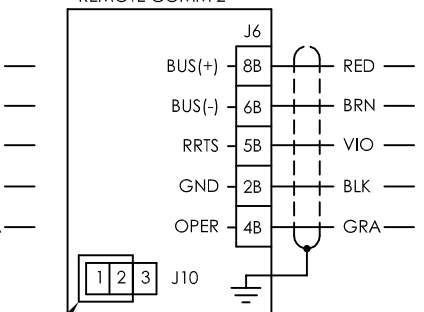


6490/6890 RTU
W/ RS485 MODULE
REMOTE COMM 1



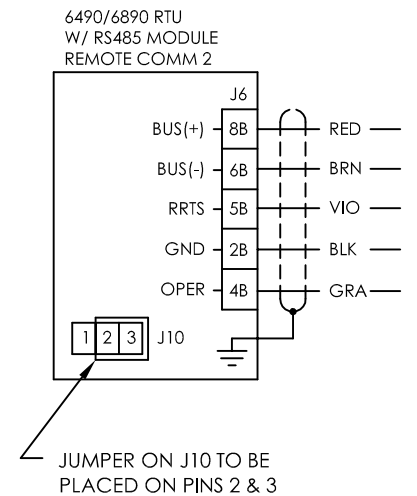
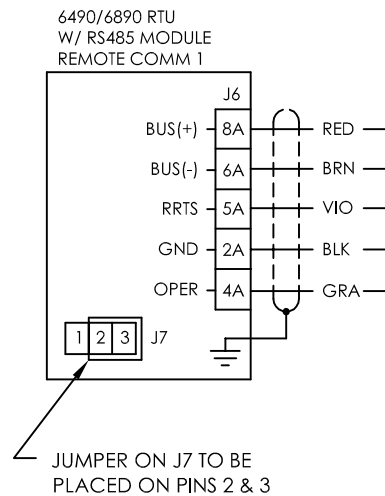
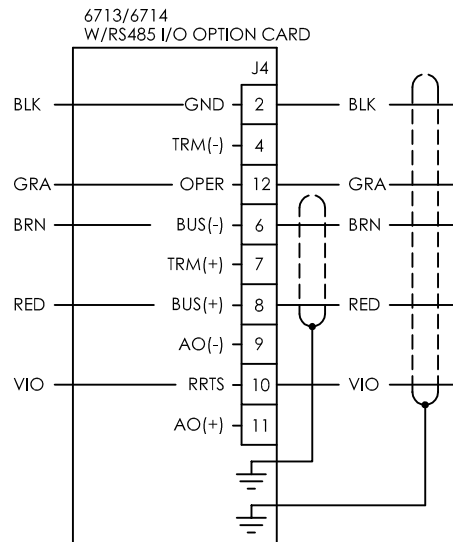
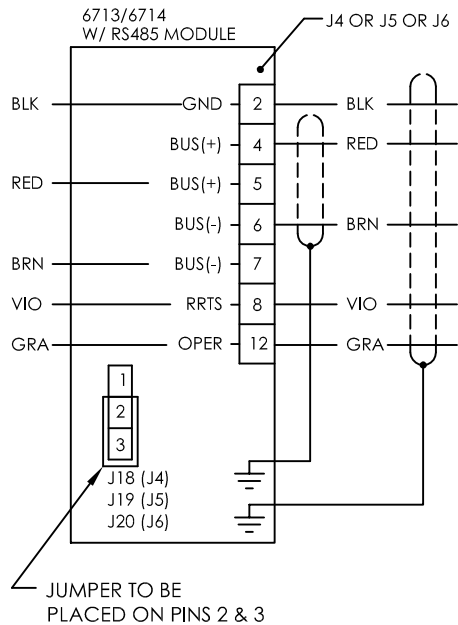
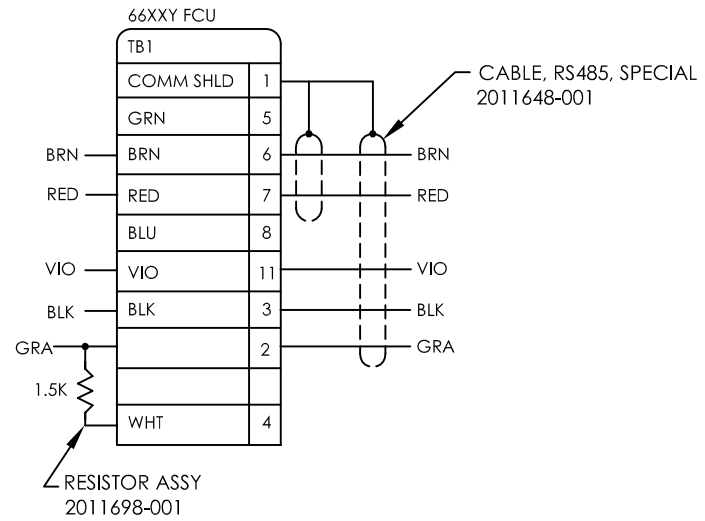
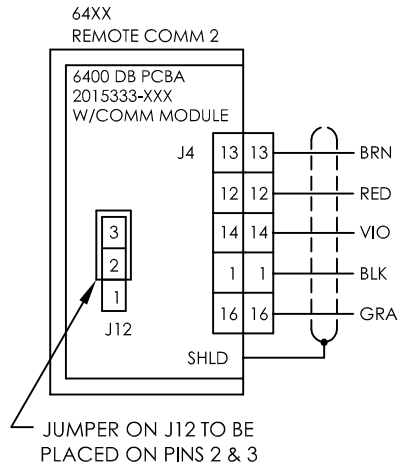
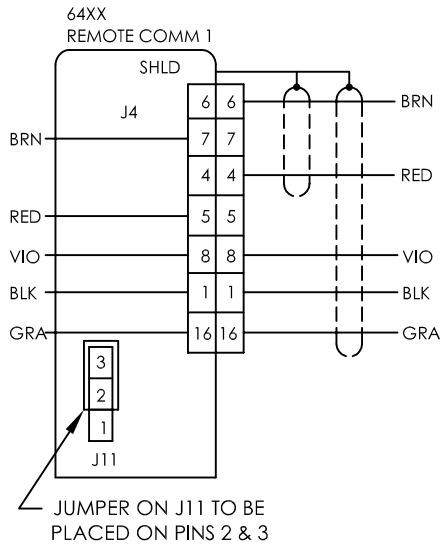
JUMPER ON J7 TO BE PLACED ON PINS 1 & 2

6490/6890 RTU
W/ RS485 MODULE
REMOTE COMM 2



JUMPER ON J10 TO BE PLACED ON PINS 1 & 2

FIRST OR INTERMEDIATE FCU/RTU





GLOSSARY OF TERMS

PART NUMBER	TITLE	DEFINITION
	LAST FCU	LAST FLOW COMPUTER ON THE RS-485 COMMUNICATIONS BUS
	6410 FCU	FLOW COMPUTER UNIT WITH 6400 DIGITAL BOARD (P/N 2015189-005/006 OR 2015333-002/003), GAS ORIFICE
	6411 FCU	FLOW COMPUTER UNIT WITH 6400 DIGITAL BOARD (P/N 2015189-005/006 OR 2015333-002/003), PULSE INPUT
	6413 FCU	FLOW COMPUTER UNIT WITH 6400 DIGITAL BOARD (P/N 2015189-005/006 OR 2015333-002/003), GAS ORIFICE WITH COMMUNICATIONS OPTION
	6414 FCU	FLOW COMPUTER UNIT WITH 6400 DIGITAL BOARD (P/N 2015189-005/006 OR 2015333-002/003), PULSE INPUT WITH COMMUNICATIONS OPTION
	6713 FCU	FLOW COMPUTER UNIT WITH C8181 ELECTRONIC BOARD (P/N 2015382-001/002), GAS ORIFICE, WITH COMMUNICATIONS AND VALVE CONTROL OPTION
	6714 FCU	FLOW COMPUTER UNIT WITH C8181 ELECTRONIC BOARD (P/N 2015382-001/002), PULSE INPUT, WITH COMMUNICATIONS AND VALVE CONTROL OPTION
	6610 FCU	GAS ORIFICE FLOW COMPUTER UNIT IN CAST ALUMINUM CASE
	6611 FCU	PULSE INPUT FLOW COMPUTER UNIT IN CAST ALUMINUM CASE
	6612 FCU	LIQUID ORIFICE FLOW COMPUTER UNIT IN CAST ALUMINUM CASE
	6613 FCU	GAS ORIFICE FLOW COMPUTER UNIT IN CAST ALUMINUM CASE WITH REMOTE COMMUNICATIONS OPTION
	6614 FCU	PULSE INPUT FLOW COMPUTER UNIT IN CAST ALUMINUM CASE WITH REMOTE COMMUNICATIONS OPTION
	6615 FCU	LIQUID ORIFICE FLOW COMPUTER UNIT IN CAST ALUMINUM CASE WITH REMOTE COMMUNICATIONS OPTION
1181027-CS	MDS 1000 W/O MODEM	TOTALFLOW PART NUMBER FOR MICROWAVE DATA SYSTEMS (MDS) MODEM 1000 TRANSCEIVER WITH INTERNAL MODEM
1181028-CS	JOHNSON RADIO W/O MODEM	TOTALFLOW PART NUMBER FOR JOHNSON TRANSCEIVER WITHOUT INTERNAL MODEM
1181037-CS	REPCO RADIO W/O MODEM	TOTALFLOW PART NUMBER FOR REPCO TRANSCEIVER WITHOUT INTERNAL MODEM
1181043-CS	RNET RADIO W/O MODEM	TOTALFLOW PART NUMBER FOR MOTOROLA RNET TRANSCEIVER WITHOUT INTERNAL MODEM
1193950-001	RS232/RS485 PATTON CONVERTER	MODEL 285 PATTON RS-232 TO RS-485 OR 422 CONVERTER (OBSOLETE, REPLACED BY 1193950-002)
1193950-002	RS232/RS485 PATTON CONVERTER	MODEL 2085 PATTON RS-232 TO RS-485 OR 422 CONVERTER



GLOSSARY OF TERMS (CONT)

PART NUMBER	TITLE	DEFINITION
1467000-001	SAMPLER, Y-Z	THIRD PARTY PROPORTIONAL SAMPLER SUPPLIED BY Y-Z INDUSTRIES
1468001-001	ACTUATOR, E TO P	THIRD PARTY ELECTRICAL-TO-PNEUMATIC CONVERTER PROVIDING 3 TO 15 PSI OUTPUT FOR PNEUMATIC VALVE
1468001-002	ACTUATOR, E TO P	THIRD PARTY ELECTRICAL-TO-PNEUMATIC CONVERTER PROVIDING 6 TO 30 PSI OUTPUT FOR PNEUMATIC VALVE
2000003-001	COMM INTERFACE PCBA	RS-232 INTERFACE BOARD (COMPATIBLE WITH 6600 AND 6700 FLOW COMPUTER UNITS SUPPORTING 50 PIN INTERFACE CONNECTOR) REPLACED BY 2012878-001
2010124-001	XDCR TEMP SENSOR	TRANSDUCER TEMPERATURE SENSOR
2010210-002/003	RS485 COMM PCBA	RS-485 INTERFACE BOARD (COMPATIBLE WITH 6600 AND 6700 FLOW COMPUTER UNITS SUPPORTING 50 PIN INTERFACE CONNECTOR)
2010210-004	RS485 COMM PCBA W/DIODE	RS-485 INTERFACE BOARD WITH REQUEST-TO SEND (RTS) ISOLATION DIODE INCLUDED ON BOARD (COMPATIBLE WITH 6600 AND 6700 FLOW COMPUTER UNITS SUPPORTING 50 PIN INTERFACE CONNECTOR)
2010232-001	TERMINATION BOARD ASSY	STANDARD TERMINATION BOARD FOR 66XX FLOW COMPUTER
2010282-001	ELECTRONIC BOARD ASSY	ELECTRONIC BOARD (282 BOARD) FOR 66XX FLOW COMPUTER
2010283-003/004	VCI PCBA	VERSATILE COMMUNICATIONS INTERFACE (VCI) BOARD. PRIMARY FUNCTION IS DIGITAL VALVE CONTROL. INTERFACE BOARD HAS 4 DIGITAL INPUTS AND OUTPUTS. CAN BE ADDED TO 66XX OR 6713 FLOW COMPUTER TO PROVIDE VALVE CONTROL FUNCTION.
2011613-001	RADIO MODEM ASSY	RS-485 TO MODTONE CONVERTER (SUPPORTS FSK MODULATION AT 1200 BAUD)
2011690-001	EXPIO PCBA, RS485	PLUG-IN RTU BOARD RS-485 VERSION (OBSOLETE, REPLACED BY 2012901-001 AND 2015452-001)
2011690-002	EXPIO PCBA, RS232	PLUG-IN RTU BOARD RS-232 VERSION (OBSOLETE, REPLACED BY 2012901-002 AND 2015452-002)
2011720-003	AC PWR SPLY	110 VOLT AC TO 12 VOLT DC CHARGER POWER SUPPLY (160 MA OUTPUT CURRENT MAX.)
2011720-004	AC PWR SPLY, 110V/10W	110 VOLT AC TO 12 VOLT DC CHARGER POWER SUPPLY (500 MA OUTPUT CURRENT MAX.)
2011720-005	AC PWR SPLY, 240V/10W	240 VOLT AC TO 12 VOLT DC CHARGER POWER SUPPLY (500 MA OUTPUT CURRENT MAX.)
2011722-001 THRU -006	PCBA ASSY, DACU	W/D, REPLACED BY 2012692-XXX
2011772-001	ELECTRONIC BOARD ASSY	ELECTRONIC BOARD (772 BOARD) FOR 66XX FCU, ALSO USED IN PULSE METER
2011855-001	PULSER, 50 REV, IMAC	THIRD PARTY IMAC MECHANICAL TO ELECTRICAL PULSER FOR PULSE INPUT FLOW COMPUTER UNITS. (50 PULSES PER REVOLUTION)
2011855-002	PULSER, 100 REV, IMAC	THIRD PARTY IMAC MECHANICAL TO ELECTRICAL PULSER FOR PULSE INPUT FLOW COMPUTER UNITS. (100 PULSES PER REVOLUTION)



GLOSSARY OF TERMS (CONT)

PART NUMBER	TITLE	DEFINITION
2011903-001/002	RS485/SINGLE AO PCBA	OBSOLETE, REPLACED BY 2011903-003
2011903-003	RS485/SINGLE AO PCBA W/DIODE	RS-485 INTERFACE BOARD WITH SINGLE ANALOG OUTPUT
2011905-XXX	RTD PROBE	TEMPERATURE PROBE FOR THE FLOW COMPUTER UNIT (100 OHM PLATINUM)
2011982-XXX	RS485/RS232 CONV	RS-485/RS-232 BARRIER CONVERTER (DIV 1 BARRIER)
2012511-001	EXP TERM BOARD	PLUG-IN RTU REMOTE TERMINATION BOARD (REPLACED BY 2017220-001/002)
2012630-003	UCI, RADIO DIV 2	UNIVERSAL COMMUNICATIONS INTERFACE (UCI). USED TO INTERFACE RADIO EQUIPMENT WITH TOTALFLOW HARDWARE. (CAN CONVERT RS-232 TO RS-485, RS-485 TO MODTONES OR RS-232 TO MODTONE SIGNALS) MODEM SUPPORTS FSK MODULATION AT 1200 BAUD ONLY.
2012692-XXX	DACU PCBA	REPLACED BY 2015080-XXX
2012803-004	COMPUTER BOARD 180 PCBA	ELECTRONIC BOARD (CB-180 BOARD) FOR 66XX FCU
2012824-001	SURGE SUPPRESSOR MODULE	RS-485 SURGE SUPPRESSOR MODULE
2012826-001	VCI TERM BOARD	VALVE CONTROL INTERFACE BOARD FOR 6600 FLOW COMPUTER (OBSOLETE, REPLACED BY 2012826-002) W/FDA200
2012826-002	VCI TERM BOARD	VALVE CONTROL INTERFACE BOARD FOR 6600 FLOW COMPUTER
2012878-001	COMM INTERFACE PCBA	RS-232 INTERFACE BOARD (COMPATIBLE WITH 6600 OR 6700 FLOW COMPUTER UNITS SUPPORTING 50 PIN INTERFACE CONNECTOR)
2012881-001	CONVERTER, M/P	THIRD PARTY FAIRCHILD ELECTRICAL-TO-PNEUMATIC CONVERTER PROVIDING 3 TO 15 OR 6 TO 30 PSI OUTPUT FOR PNEUMATIC VALVE.
2012901-001	EXPIO PCBA, RS485	PLUG-IN RTU BOARD RS-485 VERSION (OBSOLETE, REPLACED BY 2015452-001)
2012901-002	EXPIO PCBA, RS232	PLUG-IN RTU BOARD RS-232 VERSION (OBSOLETE, REPLACED BY 2015452-002)
2012903-001	RS485 COMM W/SINGLE AO	SINGLE ANALOG OUTPUT INTERFACE BOARD (OPTION ON 6600 AND 6700 FLOW COMPUTER)
2012911-001	COMM INTERFACE W/AO PCBA	QUAD ANALOG OUTPUT INTERFACE BOARD (OPTION ON 6600 AND 6700 FLOW COMPUTER)
2012925-001	SWITCH ASSY VALVE DISABLE	SPECIAL ON/OFF SWITCH USED TO DISABLE VALVE CONTROL
2012948-001	TERM BD-CIAO	TERMINATION BOARD FOR QUAD ANALOG OUTPUT INTERFACE FIELD WIRING
2015051-	CHGR/REG ASSY	THIRD PARTY SOLAR CHARGER REGULATOR ASSEMBLY (8 AMP CHARGING CAPABILITY)
2015080-XXX	RTU PCBA	REPLACED BY 2017245-XXX



GLOSSARY OF TERMS (CONT)

PART NUMBER	TITLE	DEFINITION
2015133-001	RS232 COMM INTERFACE	RS-232 INTERFACE BOARD FOR THE 6400 FLOW COMPUTER (WITHOUT REQUEST-TO-SEND ISOLATION FUSE)
2015189-XXX	6400 DIGITAL PCBA	MODEL 6400 ELECTRONIC BOARD (REPLACED BY 2015333-XXX)
2015192-001	RS232 COMM MODULE	RS-232 COMMUNICATIONS MODULE FOR 6400 OR 6700 FLOW COMPUTER UNIT
2015193-001	RS485 COMM MODULE	RS-485 COMMUNICATIONS MODULE FOR 6400 OR 6700 FLOW COMPUTER UNIT (REPLACED BY 2015193-002)
2015193-002	RS485 COMM MODULE	RS-485 COMMUNICATIONS MODULE FOR 6400 OR 6700 FLOW COMPUTER UNIT WITH REQUEST-TO-SEND (RTS) ISOLATION DIODE ON BOARD
2015247-001	RELAY ASSY, TQ2E-12	SPECIAL FORM "C" RELAY PROVIDING UP TO 1 AMP AT 12 VDC CURRENT CARRYING CAPABILITY
2015333-XXX	6400 DIGITAL PCBA II	MODEL 6400 ELECTRONIC BOARD
2015382-XXX	CB181 PCBA	MODEL 6700 ELECTRONIC BOARD
2015440-001	PWR SPLY ASSY, 120V	120 VOLT AC TO 12 VOLT DC CHARGER FOR BTU TRANSMITTER
2015440-003	PWR SPLY ASSY, 230V	230 VOLT AC TO 12 VOLT DC CHARGER FOR BTU TRANSMITTER
2015440-005	PWR SPLY ASSY, 120V/12VDC	120 VOLT AC TO 12 VOLT DC CHARGER FOR BTU TRANSMITTER
2015440-006	PWR SPLY ASSY, 230V/12VDC	230 VOLT AC TO 12 VOLT DC CHARGER FOR BTU TRANSMITTER
2015440-007	PWR SPLY ASSY, DC/DC	24 VOLT DC TO 12 VOLT DC CHARGER POWER SUPPLY FOR BTU TRANSMITTER
2015445-002	RS232/RS485 PATTON CONVERTER	MODEL 285 PATTON RS-232 TO RS-485 OR 422 CONVERTER MOUNTED ON BRACKET WITH CABLE ASSY (OBSOLETE, REPLACED BY 2015445-003)
2015445-003	RS232/RS485 PATTON CONVERTER	TOTALFLOW ASSY, MODEL 285 PATTON RS-232 TO RS-485 OR 422 CONVERTER MOUNTED ON BRACKET WITH CABLE ASSY
2015452-001	EXPIO PCBA, RS485	PLUG-IN RTU BOARD RS-485 (REPLACES 2011690-001 AND 2012901-001)
2015452-002	EXPIO PCBA, RS232	PLUG-IN RTU BOARD RS-232 (REPLACES 2011690-002 AND 2012901-002)
2017220-001	EXP TERM BOARD	PLUG-IN RTU REMOTE TERMINATION BOARD
2017220-002	EXP TERM BOARD	PLUG-IN RTU REMOTE TERMINATION BOARD WITH PLUGGABLE PHOENIX TYPE CONNECTORS
2017240-001	PREAMP ASSY	AMPLIFIER ASSEMBLY FOR CONVERTING LOW LEVEL SIGNALS FROM LINEAR PRIMARY FOR PULSE INPUT FLOW COMPUTER UNITS.
2017245-XXX	RTU PCBA	RTU ELECTRONIC BOARD



GLOSSARY OF TERMS (CONT)

PART NUMBER	TITLE	DEFINITION
2017226-001/002	MODEM D/C, 2400 BAUD OR 9600 BAUD	MODEM DATEL WITH CERMETEK MODEM CHIP
2012630-005	UCI, DESKTOP	UNIVERSAL COMMUNICATIONS INTERFACE (UCI). USED TO INTERFACE DESKTOP PC TO TOTALFLOW HARDWARE. (CAN CONVERT RS-232 TO RS-485, RS-485 TO MODTONES OR RS-232 TO MODTONE SIGNALS) MODEM SUPPORTS FSK MODULATION AT 1200 BAUD ONLY.
2012630-006	UCI, MODEM	UNIVERSAL COMMUNICATIONS INTERFACE (UCI). USED TO INTERFACE A DIAL-UP MODEM TO TOTALFLOW EQUIPMENT. (RS-232/RS-485)
2017273-001	RS485 MODEM INTERFACE	RS-232 TO RS-485 CONVERTER USED WITH THE DATEL MODEM
	DGH BOX	THIRD PARTY RS-232/RS-485 CONVERTER FOR OFFICE
	TRANSPONDER	OBSOLETE
	SOLAR PANEL 12V, 5W	NO DESCRIPTION REQUIRED
	SOLAR PANEL 12V, 10W	NO DESCRIPTION REQUIRED
	SOLAR PANEL 12V, 20W	NO DESCRIPTION REQUIRED
	SOLAR PANEL 12V, 30W	NO DESCRIPTION REQUIRED
2012546-003	PWR SPLY, 24VIN/12VOUT	24 VOLT DC TO 12 VOLT DC CHARGER POWER SUPPLY
	MODEL 8000 BTU-XMTR	GP - DIV2 NRTL/C - DIV 1 NRTL/C
	MODEL 8100 BTU-XMTR	CENELEC-GOST
	6680 AIU	ANALYZER INTERFACE UNIT. INTERFACES BETWEEN BTU TRANSMITTER AND FLOW COMPUTER UNITS SUPPLYING GAS COMPOSITION INFORMATION FOR VOLUME CALCULATIONS.
	6690 RTU	STAND-ALONE REMOTE TERMINAL UNIT IN CAST ALUMINUM CASE
	6670 OPTL EQUIP ENCL	REMOTE COMMUNICATIONS ENCLOSURE SUPPORTING DC POWER SYSTEM
	6671 OPTL EQUIP ENCL	LARGE REMOTE COMMUNICATIONS ENCLOSURE SUPPORTING DC POWER SYSTEM
	6790 RTU	STAND-ALONE REMOTE TERMINAL UNIT IN LIGHT WEIGHT ALUMINUM CASE
	6890 RTU	STAND-ALONE REMOTE UNIT, CAPABLE OF HOLDING TWO 70AH BTRY'S.
	MODEM, UDS212A.LP	THIRD PARTY AUTOANSWER MODEM (OBSOLETE)
	CCU	CENTRAL COLLECTION UNIT (CCU) SOFTWARE. OFFICE BASED SOFTWARE PACKAGE USED TO COLLECT, ARCHIVE, EDIT AND REPORT ON FLOW COMPUTER DATA



GLOSSARY OF TERMS (CONT)

PART NUMBER	TITLE	DEFINITION
	MDS 1000 W/MODEM	TOTALFLOW PART NUMBER FOR MICROWAVE DATA SYSTEMS (MDS) MODEM 1000 TRANSCEIVER WITH INTERNAL MODEM
	MDS 1000U W/MODEM	TOTALFLOW PART NUMBER FOR MICROWAVE DATA SYSTEMS (MDS) MODEM 1000 SYNTHESIZED TRANSCEIVER WITH INTERNAL MODEM
	MDS 2310 W/O MODEM	TOTALFLOW PART NUMBER FOR MICROWAVE DATA SYSTEMS (MDS) MODEM 2310 TRANSCEIVER WITHOUT INTERNAL MODEM
	MDS 2310 W/MODEM	TOTALFLOW PART NUMBER FOR MICROWAVE DATA SYSTEMS (MDS) MODEM 2310 TRANSCEIVER WITH INTERNAL MODEM
	RNET RADIO W/MODEM	TOTALFLOW PART NUMBER FOR MOTOROLA RNET TRANSCEIVER WITH INTERNAL MODEM
	MDS 9310 W/MODEM	TOTALFLOW PART NUMBER FOR MICROWAVE DATA SYSTEMS (MDS) SPREAD SPECTRUM TRANSCEIVER WITH INTERNAL 4800 BAUD MODEM
	METRICOM RADIO W/MODEM	TOTALFLOW PART NUMBER FOR METRICOM'S SPREAD SPECTRUM TRANSCEIVER WITH INTERNAL 9600 BAUD MODEM
	AAI EMS 12A	GAS CHROMATOGRAPH
	DANIELS DANALYZER	DANIEL'S GAS CHROMATOGRAPH
	SAMPLER, Y-Z	THIRD PARTY PROPORTIONAL SAMPLER SUPPLIED BY Y-Z INDUSTRIES (DANAPAK 2000 SERIES)
	JAMESBURY VALVE	THIRD PARTY VALVE AND DC ACTUATOR
	LEDEEN VALVE	THIRD PARTY VALVE AND DC ACTUATOR WITH TORQUE SWITCH
	VALCON ACTUATOR	THIRD PARTY VALVE AND DC ACTUATOR
	WORCHESTER ACTUATOR	THIRD PARTY VALVE AND DC ACTUATOR
	CELLULAR TELEPHONE	MICROCOM CDL-100 (OBSOLETE)
2015404-001	AUX PORT ADAPTER	SECOND RS-232 OR RS-485 COMMUNICATIONS PORT FOR 2012803-004 (CB-180) ELECTRONICS BOARD
	TERM BD ASSY AUX PORT	TERMINATION BOARD FOR SECOND COMMUNICATIONS PORT BOARD
	RS485 I/O OPTION CARD	RS-485 INTERFACE BOARDS WHICH PLUG INTO THE 50 PIN EXPANSION CONNECTOR ON 6600 OR 6700 FLOW COMPUTER UNITS.
	COMM SCHEDULER FEATURE	ALTERNATE METHOD OF DUTY CYCLING COMMUNICATIONS DEVICE POWER TO CONSERVE SYSTEM BATTERY POWER. THIS METHOD WILL ALLOW THE USER TO SPECIFY SPECIFIC TIMES DURING THE DAY TO ENERGIZE THE COMMUNICATIONS DEVICE FOR A SPECIFIED PERIOD OF TIME. REFER TO TECHNICAL BULLETIN #44 FOR SETUP DETAILS.