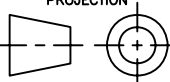
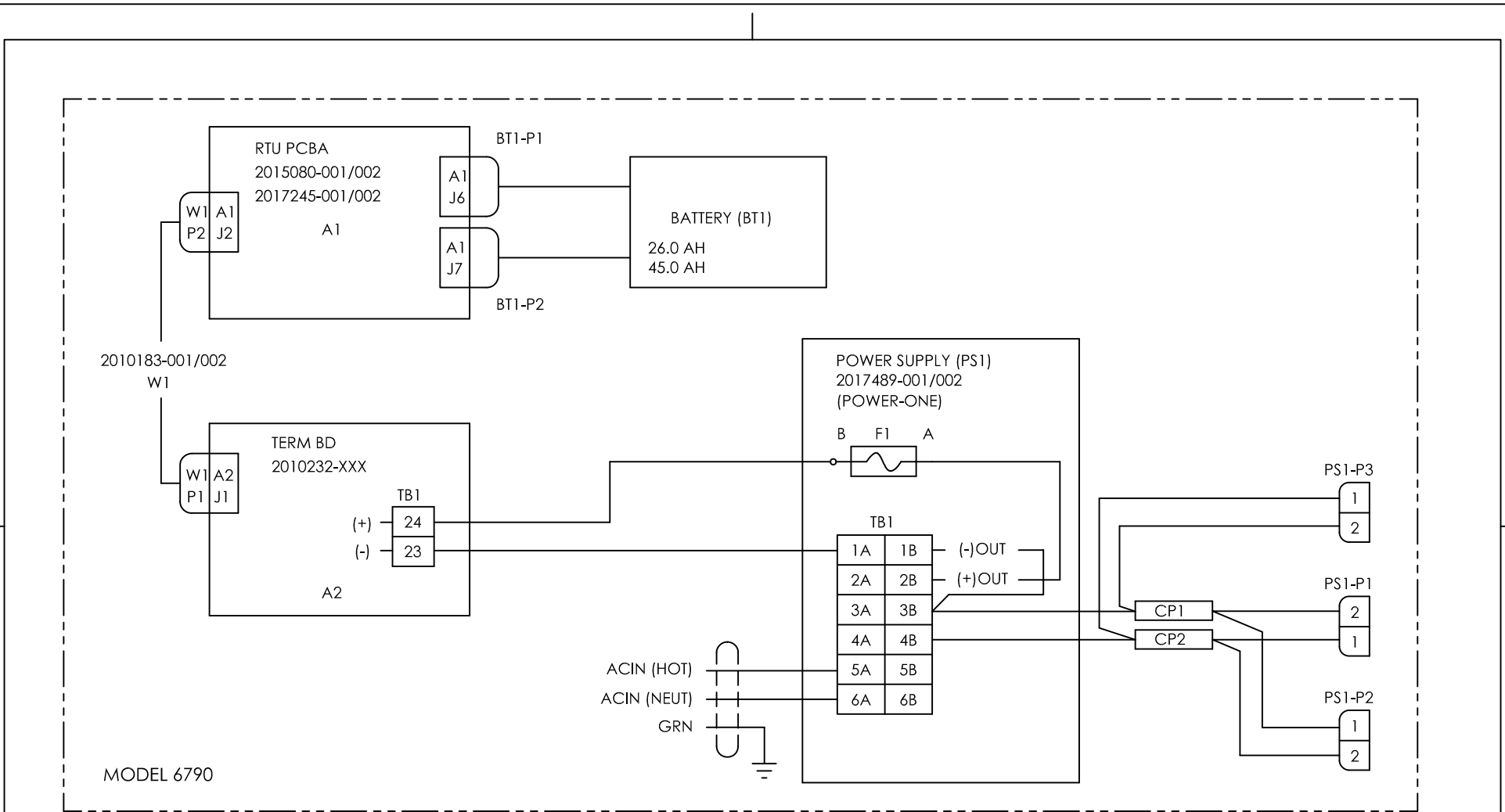


REVISIONS					
REV	ACTION	DRAWN	CHECKED	APPROVED	DATE
AD	D20724	KASTNER	KASTNER	BUSHNELL	07/09/04
AB	D13037	KASTNER	KASTNER	HOLLAND	02/03/01
AC	D13115	KASTNER	KASTNER	BUSHNELL	02/03/27

ASSEMBLY/QUANTITY	ITEM NO.	PART NUMBER	DESCRIPTION	REF/ZONE DESIG MATERIAL	UNIT MEAS				
	001								
DO NOT SCALE DRAWING	UNLESS OTHERWISE SPECIFIED DIMENSIONS ARE IN INCHES		PRODUCT LINE TOTALFLOW®	LEVEL 3					
THIRD ANGLE PROJECTION 	TOLERANCES ARE:		DESIGN G. HOLLAND	DATE 01/10	ABB TOTALFLOW Products TITLE WIRING & INTERCONNECT POWER SUPPLY, POWER-ONE WI				
	DECIMAL .XX ± --	ANGULAR ± --	DRAWN A. KASTNER	01/10/09					
	.XXX ± --		CHECKED A. KASTNER	01/10/09					
BREAK ALL SHARP CORNERS AND EDGES DIMENSIONS APPLY BEFORE FINISH		APPROVED G. HOLLAND	01/10/09	SCALE NONE	SIZE B	DOC TYPE WI	DRAWING NO. 2100594	REV AD	SHEET 1 OF 8

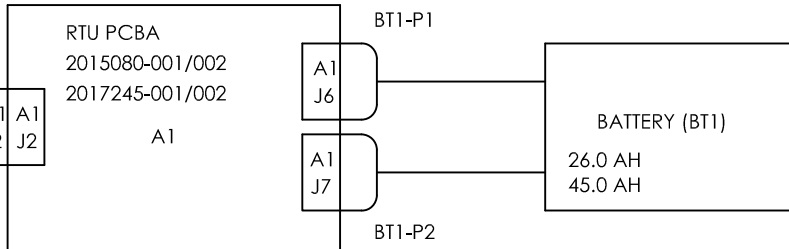


MODEL 6790

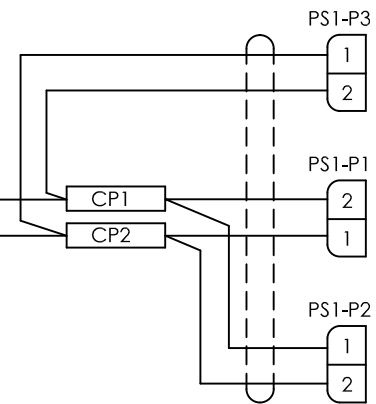
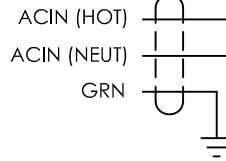
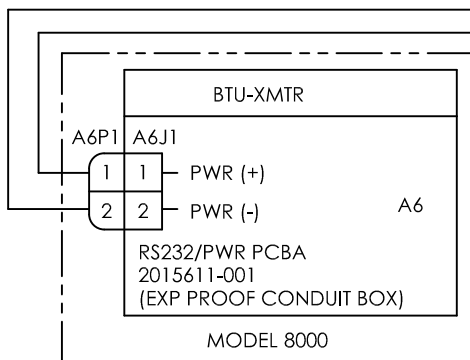
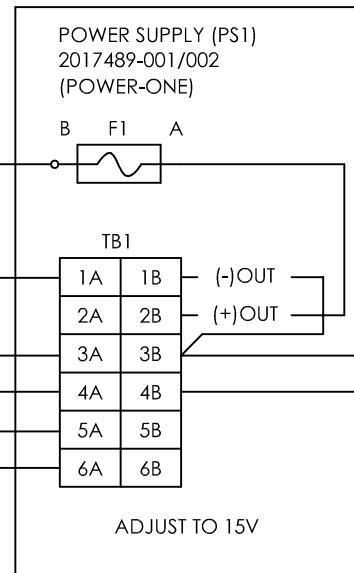
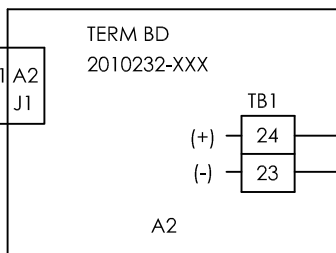
CHARGING SOURCE FOR 6790 USING POWER-ONE PWR SPLY

SCALE	SIZE	DOC TYPE	DRAWING NO.	REV	SHEET
NONE	B	WI	2100594	AD	2 OF

MODEL 6790



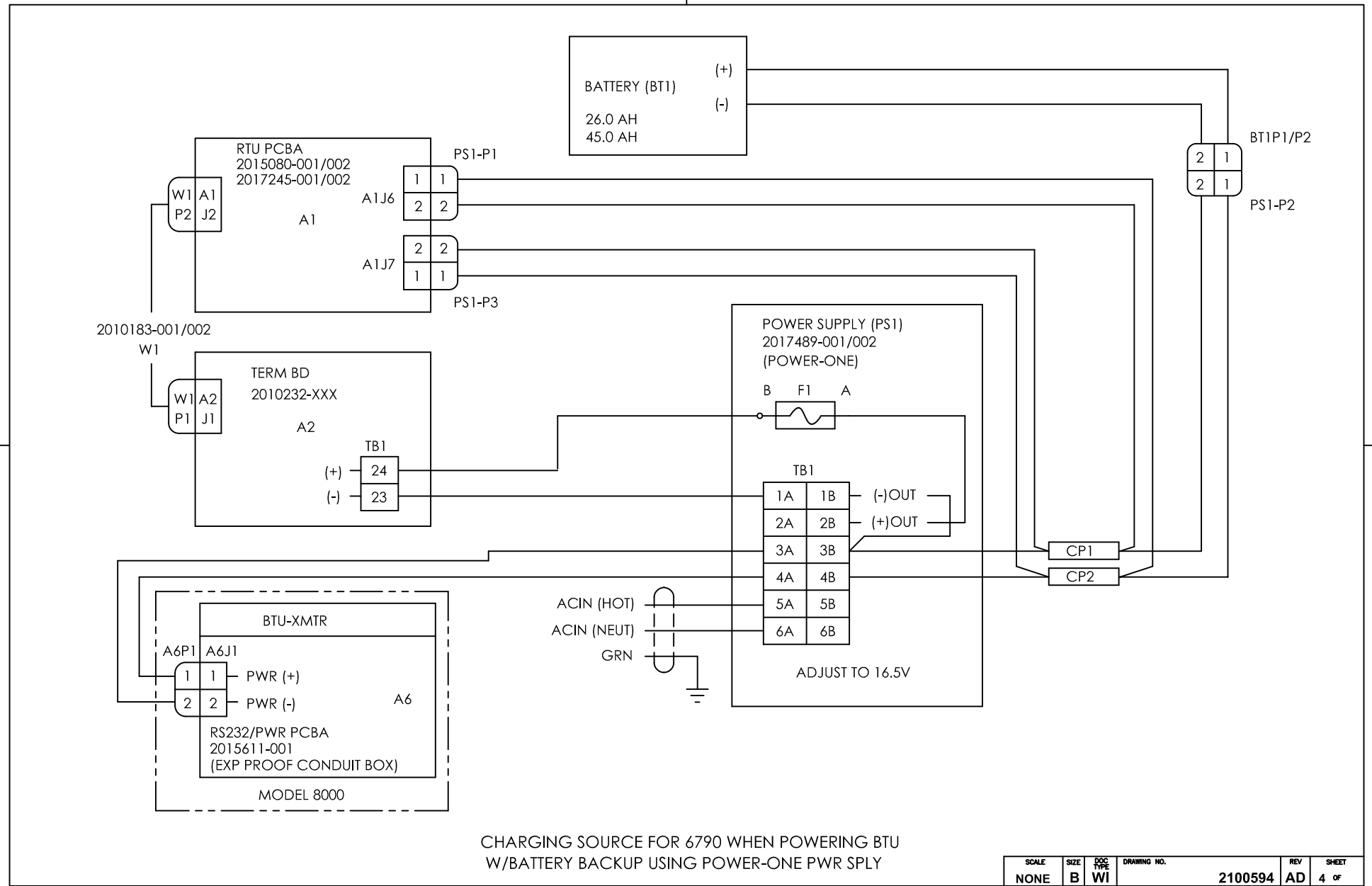
2010183-001/002
W1



REMOVE THIS CABLE FOR THIS CONFIGURATION, TO ALLEVIATE ANY MISTAKE OF PLUGGING THIS CABLE INTO A BATTERY.

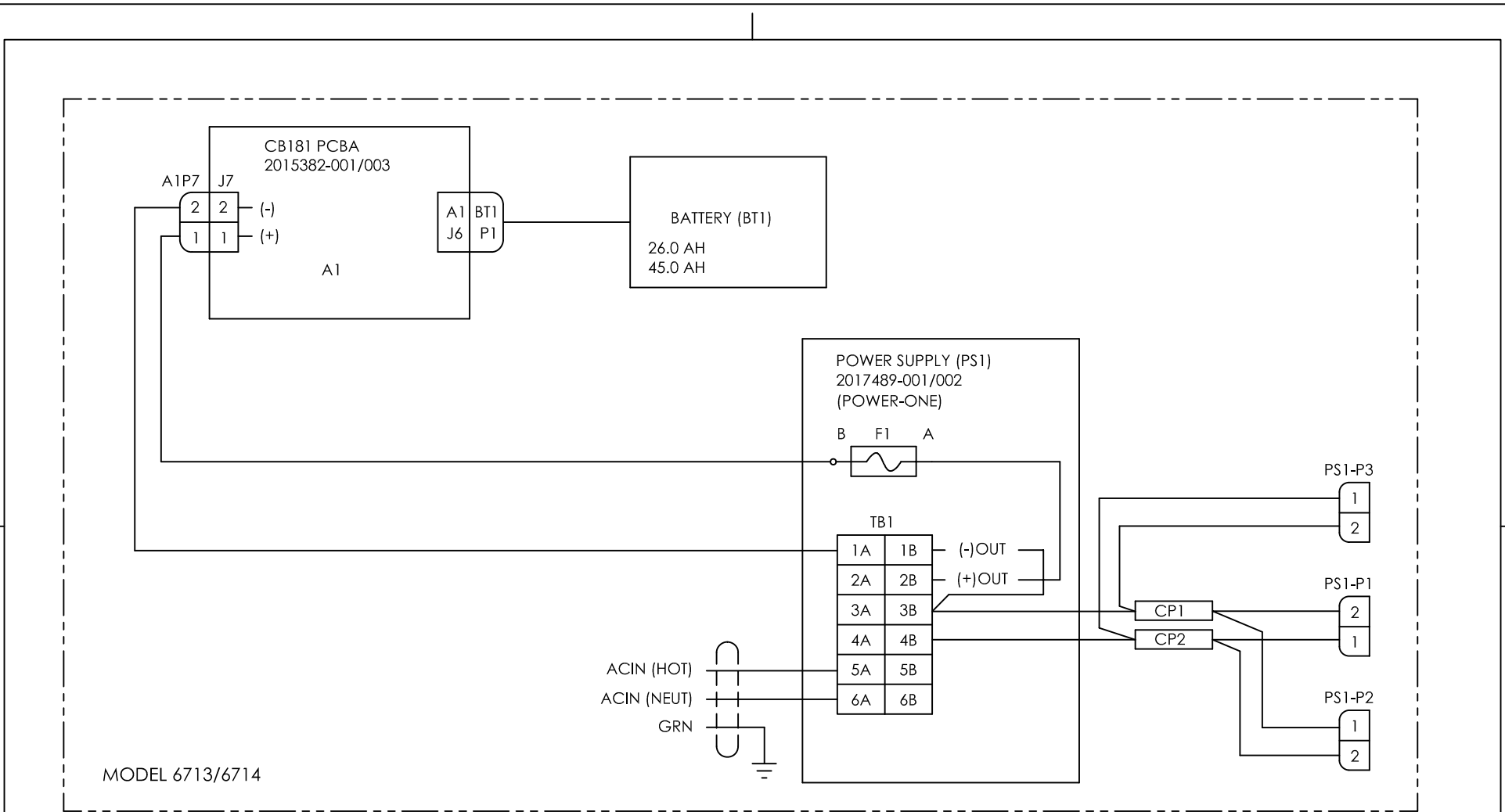
CHARGING SOURCE FOR 6790 WHEN POWERING BTU-XMTR USING POWER-ONE PWR SPLY

SCALE	SIZE	DOC TYPE	DRAWING NO.	REV	SHEET
NONE	B	WI	2100594	AD	3 OF



CHARGING SOURCE FOR 6790 WHEN POWERING BTU
 W/BATTERY BACKUP USING POWER-ONE PWR SPLY

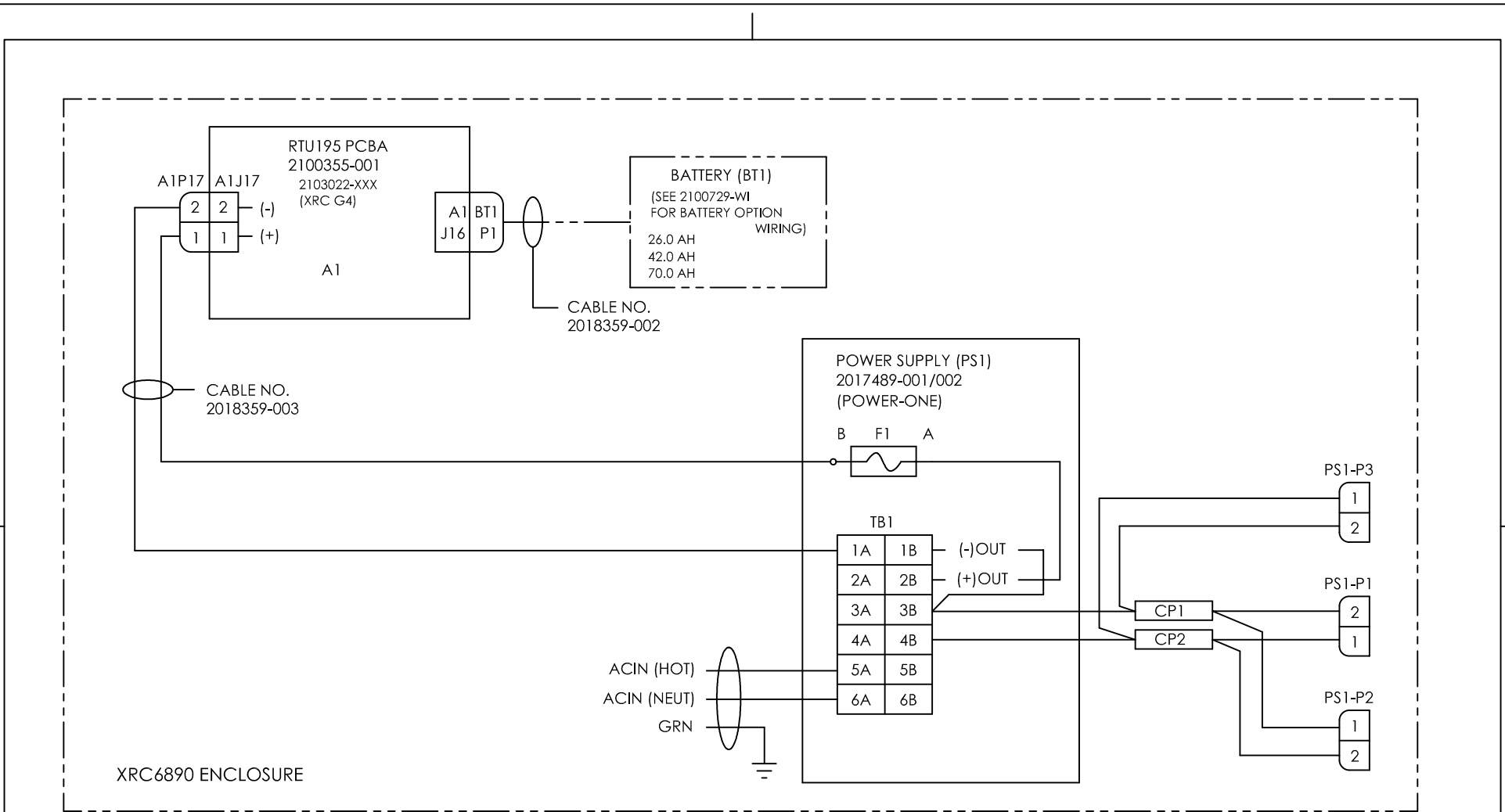
SCALE	SIZE	DOC TYPE	DRAWING NO.	REV	SHEET
NONE	B	WI	2100594	AD	4 OF



MODEL 6713/6714

CHARGING SOURCE FOR 6713/6714 USING POWER-ONE PWR SPLY FOR 6713/6714

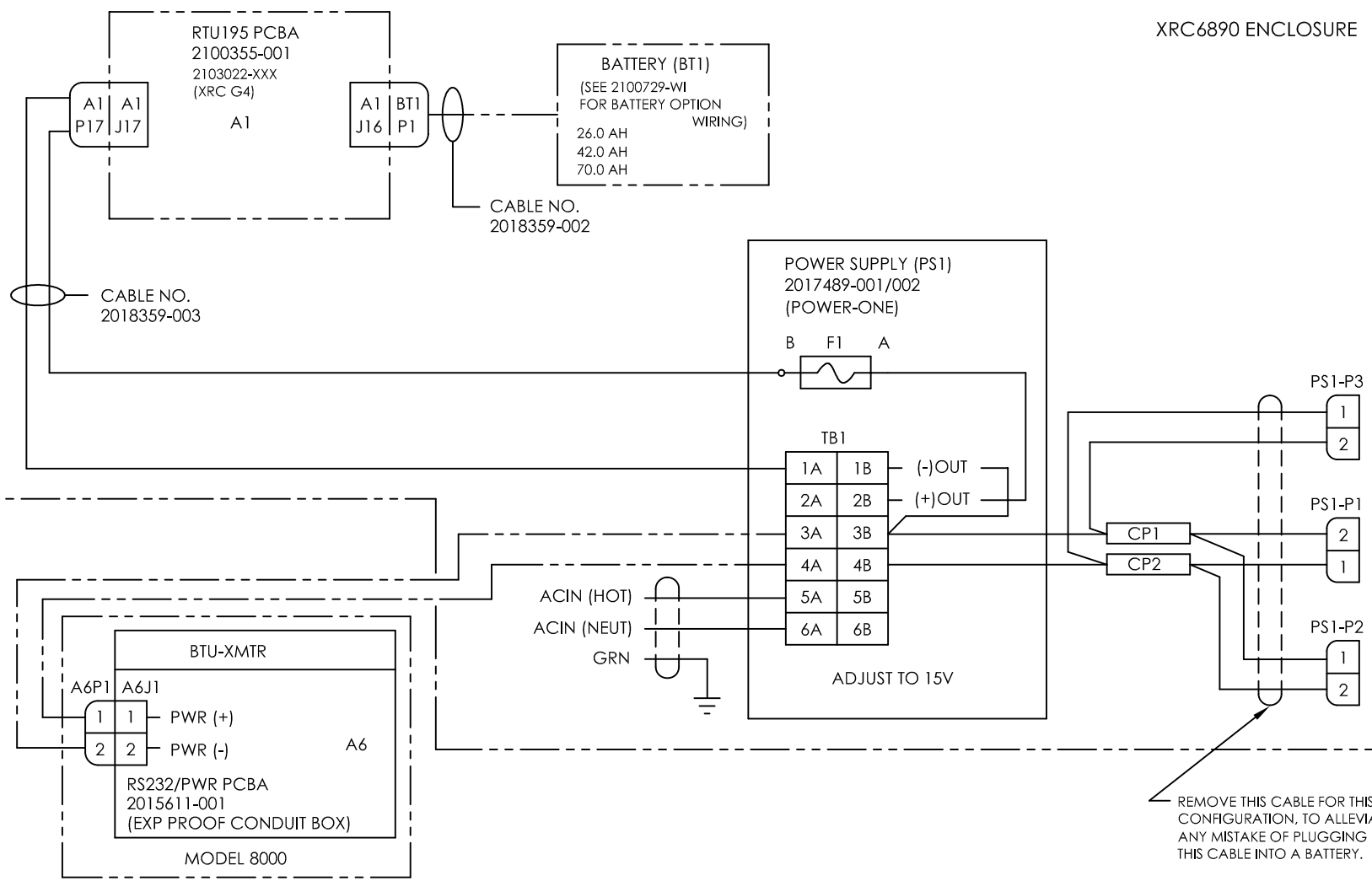
SCALE	SIZE	DOC TYPE	DRAWING NO.	REV	SHEET
NONE	B	WI	2100594	AD	5 OF



CHARGING SOURCE FOR XRC6890 USING POWER-ONE PWR SPLY

SCALE	SIZE	DOC TYPE	DRAWING NO.	REV	SHEET
NONE	B	WI	2100594	AD	6 OF

XRC6890 ENCLOSURE

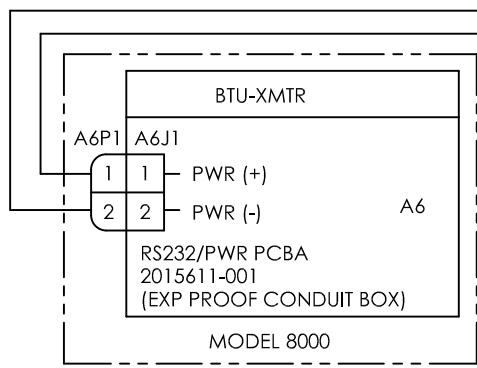
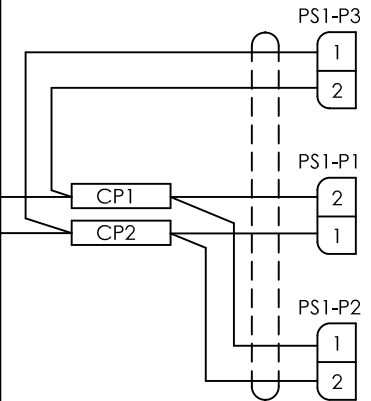
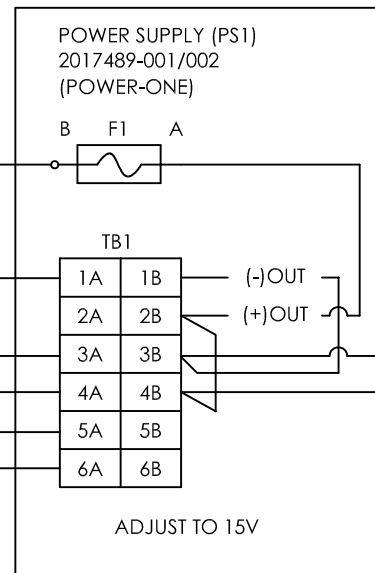
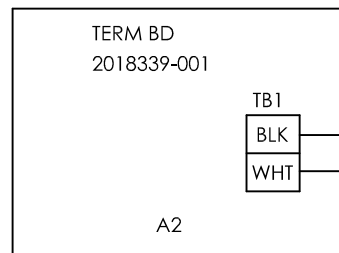


CHARGING SOURCE FOR XRC6890 WHEN POWERING BTU-XMTR USING POWER-ONE PWR SPLY

REMOVE THIS CABLE FOR THIS CONFIGURATION, TO ALLEVIATE ANY MISTAKE OF PLUGGING THIS CABLE INTO A BATTERY.

SCALE	SIZE	DOC TYPE	DRAWING NO.	REV	SHEET
NONE	B	WI	2100594	AD	7 OF

MODEL 6470



REMOVE THIS CABLE FOR THIS CONFIGURATION, TO ALLEVIATE ANY MISTAKE OF PLUGGING THIS CABLE INTO A BATTERY.

CHARGING SOURCE FOR 6470 WHEN POWERING BTU-XMTR USING POWER-ONE PWR SPLY