

# OVRHS3-F1

## Surge protective devices

### Medium duty for residential or industrial applications

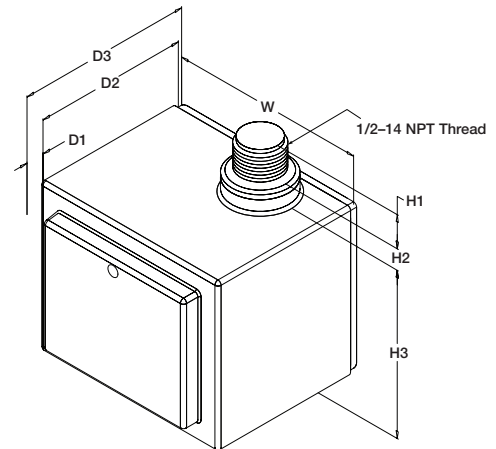
## Product features

- Listed to UL 1449 4th Edition for Type 2 SPD applications.
- Multiple Metal Oxide Varistors (MOVs) with individual and overcurrent protection.
- LED indicates proper functioning of MOVs



## Dimensional specifications

Dim	Millimeters (Inches)
H1	19.1 (.75)
H2	6.4 (.25)
H3	74.4 (2.93)
W	90.4 (3.56)
D1	8.1 (.32)
D2	70.6 (2.78)
D3	78.7 (3.10)



Schematic shown in horizontal position.  
(Photo shown in vertical position)

# Product specifications

## Available configurations

Model number/ Product ID	kA per phase	Voltage	Configuration
OVRHS3801202SF1 2CJB608120S000	80kA	120/240V	2-phase, 3-wire + ground
OVRHS3601202SF1 2CJB606120S000	60kA	120/240V	2-phase, 3-wire + ground
OVRHS3401202SF1 2CJB604120S000	40kA	120/240V	2-phase, 3-wire + ground

**Stand alone option** (To be ordered as a separate item)

Flush-Mount Plate Kit	OVRHS322FMP 2CJB600000Z0001
-----------------------	--------------------------------

### Warranty

1-year

### Electrical

Nominal discharge current rating (I-n)	10kA
Operating Frequency	50-60Hz
Connection Methods	2mm <sup>2</sup> (#14 AWG) wires 30A max breaker
Modes of protection	L-L, L-N, L-G, N-G
Fault rating (SCCR)	100kAIC
Response time	Less than 1 nanosecond (one per phase)
Standard monitoring	LED status indicator lights

### Mechanical

Weight	.9 kg (2 lbs.)
Enclosure type	NEMA 1, Non-metallic
Installation location	Indoor
Mounting method	12.7mm (1/2")-14 NPT thread (Aluminum bracket optional)
Operating environment	-40° to +80°C (-40° to +176°F)
Altitude	Up to 5000 m (16,400 ft.)
Product design	Individually fused MOVs

### Regulatory

UL 1449 4th edition type	Type 2
UL 1283	No
IEEE C62.41.1, .2, C62.45	Yes
Listed by	UL



# Performance data

Model number	Protection modes	MCOV	UL 1449 4th edition 6kV 3000A VPR
OVRHS3801202SF1	L-L	300	1000
	L-N	150	600
	L-G	150	600
	N-G	0	900
OVRHS3601202SF1	L-L	300	1000
	L-N	150	600
	L-G	150	600
	N-G	0	900
OVRHS3401202SF1	L-L	300	1000
	L-N	150	600
	L-G	150	600
	N-G	0	900

# Contact us

[www.abb.com](http://www.abb.com)

We reserve the right to make technical changes to the product and to the information in this document without notice. The agreed conditions at the time of the order shall apply. ABB assumes no responsibility for any errors or omissions that may appear in this document. We reserve all rights in this document and in the information contained therein. Without prior written approval from ABB, reproduction, disclosure to third parties or use of any information, in whole or in part, is strictly forbidden.

© Copyright 2016 ABB, all rights reserved

050616