
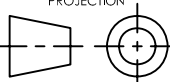


NOTES:

- 1. CDPD SETTINGS
AT SETTINGS: AT\Q2 ENABLE HARDWARE FLOW CONTROL
- 2. REMOVED
- 3. REMOVED
- 4. REMOVED
- 5. WHEN POSSIBLE, SET LISTEN CYCLE OF FCU AND WINCCU BOTH TO 0, DISABLE FLOW CONTROL ON AIRLINK (\Q0), CONNECT RTS TO VBATT. THIS CONFIGURATION WILL IMPROVE OVERALL RESPONSE TIME OF FCU. ZERO LISTEN CYCLE IS NOT SUPPORTED BY 6600 PRODUCT, EXCEPT CB180 W/ADVANCED PROM
- 6. 6600 WIRING: SET BOTH FCU AND WINCCU TO 1, 2 OR 4 SECONDS. ENABLE FLOW CONTROL ON AIRLINK (\Q2). CONNECT RTS OF AIRLINK TO SWVBATT (WHT) ON FCU.
- 7. REMOVED
- 8. JUMPER (9-11) USED ON 3 WIRE SYSTEM ONLY.
- 9. TRIM UNUSED WIRES
- 10. POWER CABLE FOR AIRLINK IS FURNISHED WITH AIRLINK CDPD.
- 11. FOR 6400 SERIES, EXTERNAL POWER OR THE POWER SCHEDULER (SWVBATT) MUST BE USED.
- 12. EXTERNAL POWER SUPPLY - WIRE AS SHOWN IF EXTERNAL POWER SUPPLY IS USED. RED & BLK WIRE FROM J2 OF AIRLINK NOT WIRED TO BTU-XMTR.
- 13. THE RAVEN II FIRMWARE (REV 200110C OR HIGHER) CONTAINS THE 2 STOP BIT CAPABILITY. THIS IS REQUIRED FOR DB2 ON EXIO/RTU/AIU APPLICATIONS.

14. WARNING!
USING A NON-FACTORY RS232 DATA CABLE
MAY RESULT IN DAMAGE AND VOID SYSTEM WARRANTY.

REVISIONS					
REV	ACTION	DRAWN	CHECKED	APPROVED	DATE
AM	D17445	KASTNER	KASTNER	BUSHNELL	05/09/13
AN	D20530	KASTNER	KASTNER	BUSHNELL	07/04/30
AO	D20709	KASTNER	KASTNER	BUSHNELL	07/08/24

ASSEMBLY/QUANTITY		ITEM NO.	PART NUMBER	DESCRIPTION	REF/ZONE DESIG MATERIAL	UNIT MEAS
PARTS LIST						
DO NOT SCALE DRAWING		UNLESS OTHERWISE SPECIFIED DIMENSIONS ARE IN INCHES		PRODUCT LINE TOTALFLOW®	LEVEL 3	 TOTALFLOW Products
THIRD ANGLE PROJECTION 		TOLERANCES ARE: DECIMAL ANGULAR .XX ± -- ± -- .XXX ± --		DESIGN G. HOLLAND	DATE 97/6	
BREAK ALL SHARP CORNERS AND EDGES DIMENSIONS APPLY BEFORE FINISH		DRAWN A. KASTNER		DATE 97/6/23		
		CHECKED A. KASTNER		DATE 98/5/13		
		APPROVED G. HOLLAND		DATE 98/5/14		SCALE: NONE SIZE: B DOC TYPE: WI DRAWING NO.: 2017365 REV: AO SHEET: 1 OF 4

AIRLINK
CDPD
MODEL 9700
RAVEN I/II
RS232

MODEL
ELEK PCBA
TERM PCBA
COMM
I/O OPTION
PCBA

6413/6414
2015333-XXX
2100204-XXX (CB195)
2102838-XXX (XFC G4)

6413/6414
2015333-XXX
2100204-XXX (CB195)
2102838-XXX (XFC G4)

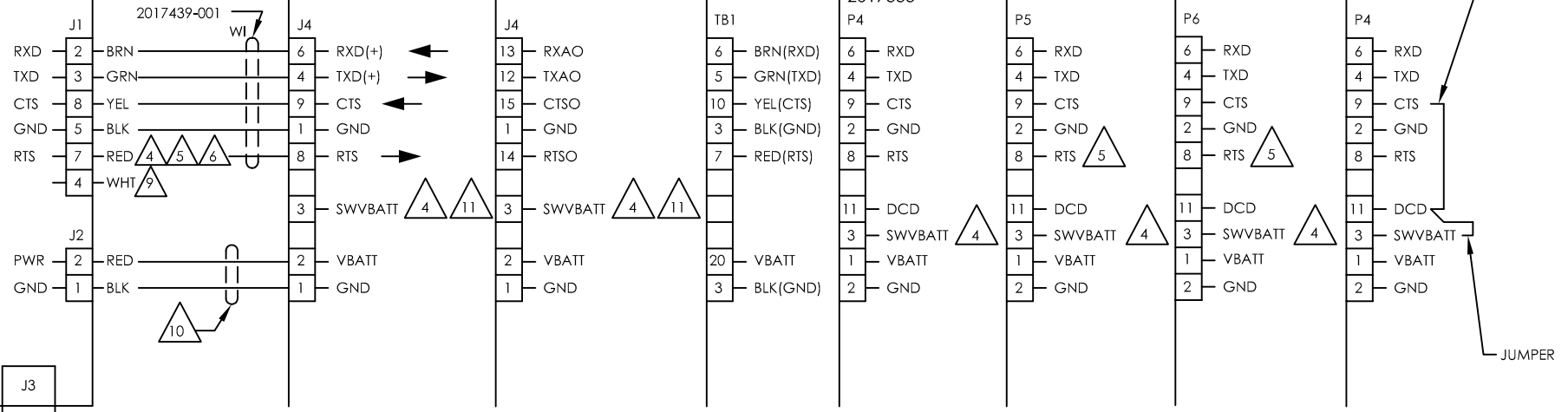
6790
2017245-XXX
2015080-XXX
2010232-XXX

6713/6714
2015382-XXX
1
RS232 COMM
MODULE
2000003-XXX
2012878-XXX
2015133-XXX
2010283-XXX
2012911-XXX
2015452-
2017475-
2017333-

6713/6714
2015382-XXX
2
RS232 COMM
MODULE

6713/6714
2015382-XXX
3
RS232 COMM
MODULE

6713/6714
2015382-XXX
1
2011690-XXX
2012901-XXX



AIRLINK
 CDPD
 MODEL 9700
 RAVEN I/II
 RS232

MODEL
 ELEK PCBA
 TERM PCBA
 COMM
 I/O OPTION
 PCBA

8000
 BTU-XMTR
 RS232/PWR
 PCBA

66XX
 FCU
 2010232-XXX

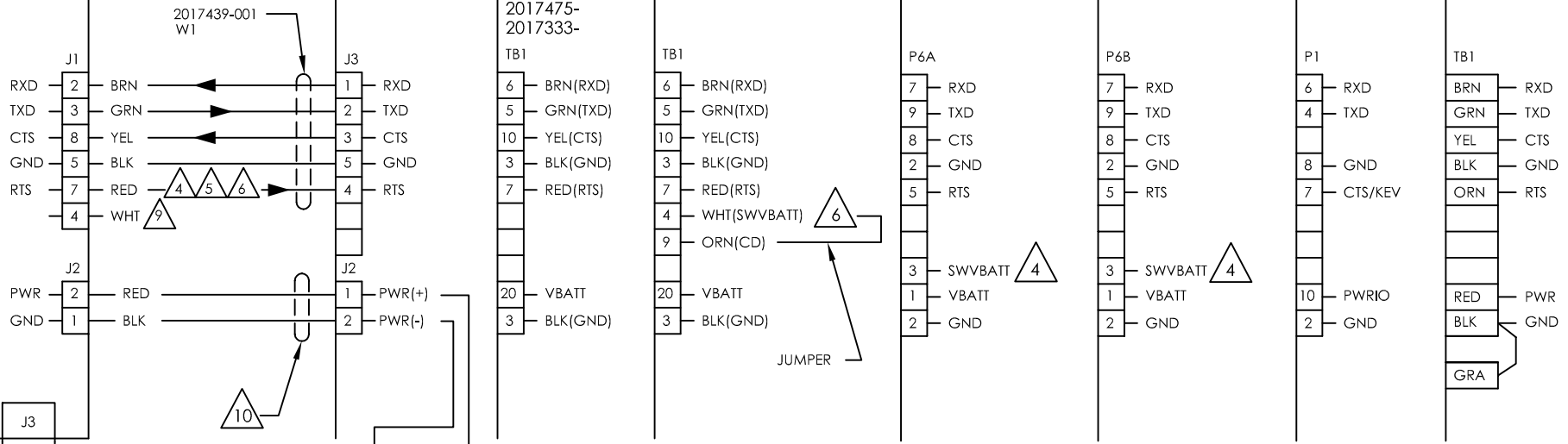
66XX
 FCU
 2010232-XXX
 2000003-XXX
 2012878-XXX
 2015133-XXX
 2010283-XXX
 2012911-XXX
 2015452-
 2017475-
 2017333-

6490/6890
 2100355-XXX (RTU195)
 2103022-XXX (XRC G4)
 1
 RS232 COMM
 MODULE

6490/6890
 2100355-XXX (RTU195)
 2103022-XXX (XRC G4)
 2
 RS232 COMM
 MODULE

UCI2
 2017266-XXX

6470/6770
 O.E.U.
 2018339-001



AIRLINK
CDPD
MODEL 9700

RAVEN I/II
RS232

MODEL
ELEK PCBA

TERM PCBA

COMM

I/O OPTION
PCBA

UFLO6213
MEASUREMENT UNIT
2100767-XXX
2103082-XXX (UFLO G4)

UFLO6213
MEASUREMENT UNIT
2100767-XXX
2103082-XXX (UFLO G4)

W/2101059-002 RS232
REMOTE COMM BD

WARNING -
SEE NOTE 

2017439-003
W1

2017439-001
W1

