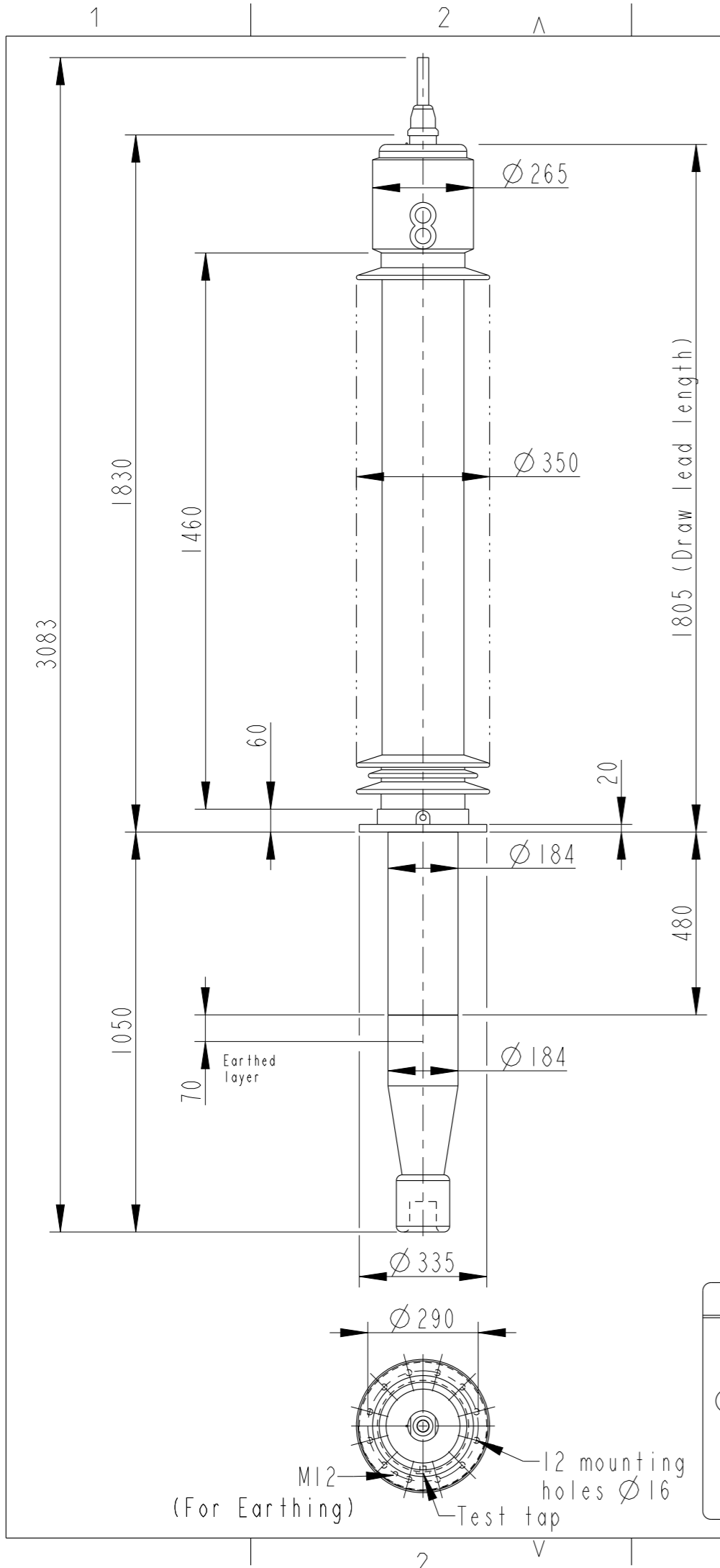
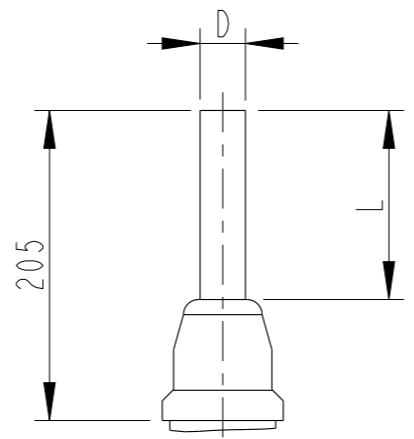


This document is issued by means of a computerized system. The digitally stored original is electronically approved. The approved document has a date entered in the "Approved"-field. A manual signature is not required.

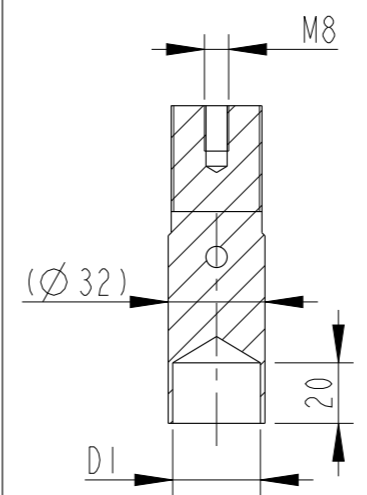
The information contained in this document has to be kept strictly confidential. Any unauthorized use, reproduction, distribution or disclosure to third parties are strictly forbidden. ABB reserves all rights regarding Intellectual Property Rights. © Copyright 2008 ABB. All rights reserved.



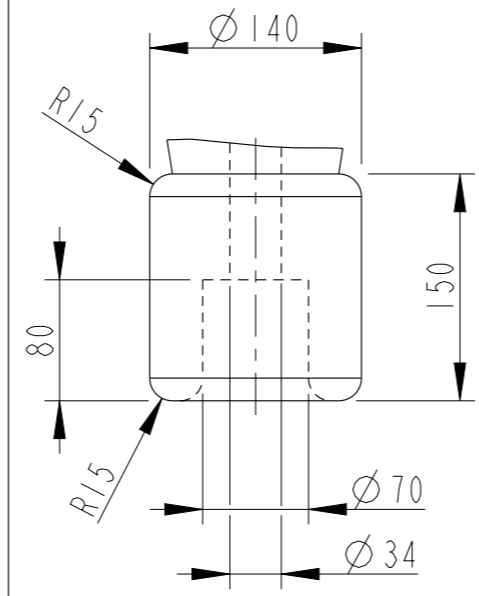
**OUTER TERMINAL**



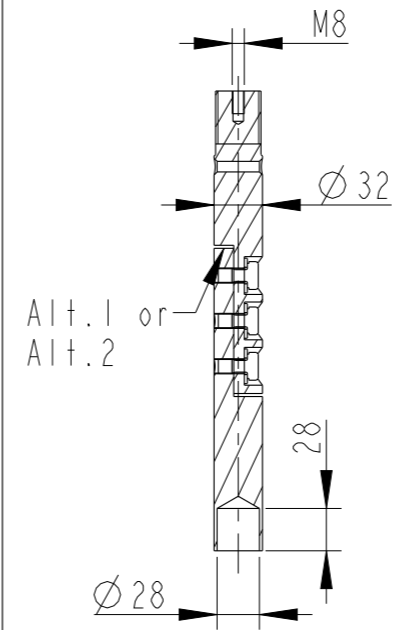
**INNER TERMINAL FOR STRANDED CABLE**



**END SHIELD**



**SOLID ROD CONNECTOR**



The solid rod can be divided either:  
 Alt.1: 20mm below the bushing flange or  
 Alt.2: 20mm below the upper end of the bottom porcelain

**Bushing Data:**

Rated Voltage	170	kV
Phase to Ground Voltage	170	kV
Dry Lightning Impulse 1,2/50µs	750	kV
Wet power frequency AC	325	kV
Routine test 1min dry 50Hz	365	kV
Rated Current	1250	A
Creepage Distance	5420±150	mm
Creepage Distance Protected	2330	mm
Mass	207	kg

**Ordering Data:**

<b>BUSHING</b>	COLOUR AIR INSULATOR
LF123106-M	BROWN
-N	LIGHT GREY
<b>OUTER TERMINAL</b>	Material D L
LF 170 002-B	Cu alloy, Ø30, 125
LF 170 001-B	Al, Ø30, 125
OTHER TYPES ON REQUEST	
<b>INNER TERMINAL FOR STRANDED CABLE</b>	
<b>For brazing</b>	Conductor area D1
LF 170 011-T	up to 285mm² Ø29
LF 170 011-V	Undrilled with pilot hole Ø5
<b>SOLID ROD CONNECTOR</b>	Material
LF 170 052 -AK for Alt.1	Cu
LF 170 052 -AL for Alt.2	Cu

Note:  
 Mounting inclination 0-45°.  
 △ For inclined and horizontal mounting, see Installation and Maintenance Guide.

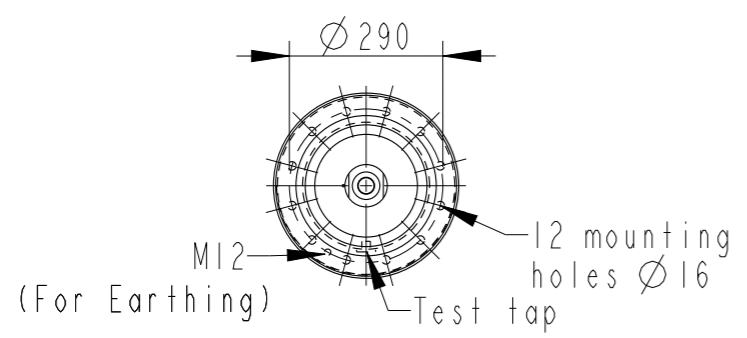


ABB		Ludvika, Sweden	
No.	Um/Uy	kV Ir	A 50/60 Hz
○	BIL	kV SIL	kV AC
M	kg L	mm	✓
C1	pF	Tan δ	x
C2	pF	Tan δ	x

Prepared	Palpandi K	2013-04-23	Responsible department	PPCO/BK	Title	GOB 750-1250-0.5	Language	82
Modified by	Palpandi K	2013-04-26	Take over department					
Approved by	Niklas Olsson	2013-04-29	Used in product		WITH OIL LEVEL GAUGE LONG END SHIELD			
Revision	B	Note added			Order			Sheet no.
Document no.						2751369-228	No. Shs.	(1)

