
 TECHNICAL DATA SHEET

ABB cable glands – SCG series

Stainless Steel 316L, general purpose cable glands



Stainless steel cable glands for general purpose use, OEM, industrial and commercial applications, where a high level of corrosion resistance may be required.

Certifications / Standards:

(Refer to tables for certifications details)



Features & Benefits:

- Low profile compact cable glands
- Wide cable clamping range
- Excellent corrosion resistance
- Ideal for wet locations

Applications:

- General purpose
- Panel building
- Light fixture and housings
- Machine building
- Waste treatment
- Suitable for cable types:
 - Non-armoured
 - Portable
 - Tray

Material:

- Stainless steel 316L construction
- Chloroprene seals

Environmental ratings:
Working Temperature:

- Normal use: -20 to +100°C (-4 to +212°F)
- Short term: -30 to +150°C (-22 to +302°F)

Ingress protection:

To ensure ingress protection, use suitable gasket and lock nut when required.

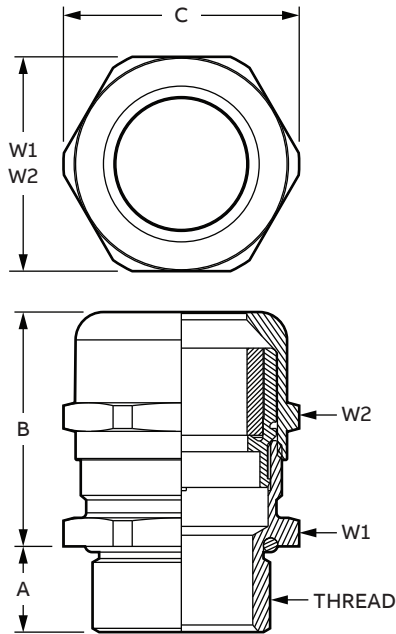
- IP66
- IP68 (5 bar 30 mins)
- NEMA 4

Chemical resistance guide:

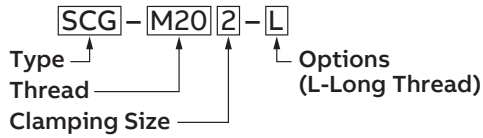
- See publication TDS000081

Conforms to:

- UL514B / CSA C22.2 No 18.3 (see table for details)
- EN 62444
- RoHS (Restriction of Hazardous Substances Directive) 2011/65/EU Incorporating 2015/863 amendment to Annex II
- WEEE (Waste Electrical & Electronic Equipment Directive) 2002/96/EC
- LVD (Low Voltage Directive) 2014/35/EU



Part number information:



Stainless Steel Cable Gland 6-12mm
M20X1.5 (12mmTL)

Product selection

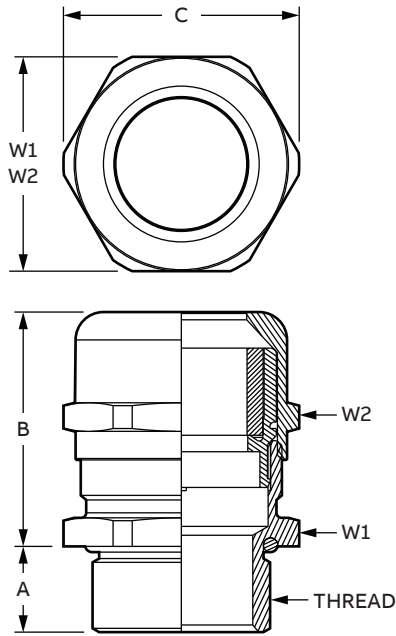
Part no:	Thread (metric)	Cable range		Nominal dimensions					
		Min	Max	A	B	C	W1	W2	
SCG-M504-L	M50x1.5	34.0	44.0	15.0	52.0	71.0	65.0	65.0	(1.339) (1.732) (0.591) (2.047) (2.795) (2.559) (2.559)
SCG-M631	M63x1.5	29.0	35.0	10.0	53.5	77.0	70.0	65.0	(1.142) (1.378) (0.394) (2.106) (3.031) (2.756) (2.559)
SCG-M631-L	M63x1.5	29.0	35.0	18.0	53.5	77.0	70.0	65.0	(1.142) (1.378) (0.709) (2.106) (3.031) (2.756) (2.559)
SCG-M632 (cULus)	M63x1.5	34.0	44.0	10.0	53.5	77.0	70.0	65.0	(1.339) (1.732) (0.394) (2.106) (3.031) (2.756) (2.559)
SCG-M632-L	M63x1.5	34.0	44.0	18.0	53.5	77.0	70.0	65.0	(1.339) (1.732) (0.709) (2.106) (3.031) (2.756) (2.559)
SCG-M633	M63x1.5	37.0	53.0	10.0	51.0	83.0	75.0	75.0	(1.457) (2.087) (0.394) (2.008) (3.268) (2.953) (2.953)
SCG-M633-L	M63x1.5	37.0	53.0	18.0	51.0	83.0	75.0	75.0	(1.457) (2.087) (0.709) (2.008) (3.268) (2.953) (2.953)

Product selection

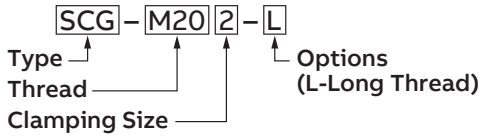
Part no:	Thread (NPT)	Cable range		Nominal dimensions					
		Min	Max	A	B	C	W1	W2	
SCG-0381	3/8"	2.0	6.0	11.5	23.0	21.0	19.0	17.0	(0.079) (0.236) (0.453) (0.906) (0.827) (0.748) (0.669)
SCG-0382	3/8"	5.0	10.0	11.5	29.5	22.0	20.0	20.0	(0.197) (0.394) (0.453) (1.161) (0.866) (0.787) (0.787)
SCG-0501	1/2"	5.0	9.0	13.0	29.0	30.5	27.0	22.0	(0.197) (0.354) (0.512) (1.142) (1.201) (1.063) (0.866)
SCG-0502 (cULus)	1/2"	6.0	12.0	13.0	29.0	30.5	27.0	22.0	(0.236) (0.472) (0.512) (1.142) (1.201) (1.063) (0.866)
SCG-0503	1/2"	10.0	14.0	13.0	27.5	26.5	24.0	24.0	(0.394) (0.551) (0.512) (1.083) (1.043) (0.945) (0.945)
SCG-0751	3/4"	9.0	16.0	13.0	34.0	33.0	30.0	30.0	(0.354) (0.63) (0.512) (1.339) (1.299) (1.181) (1.181)
SCG-0752 (cULus)	3/4"	13.0	18.0	13.0	34.0	33.0	30.0	30.0	(0.512) (0.709) (0.512) (1.339) (1.299) (1.181) (1.181)
SCG-1001	1"	12.0	20.0	13.0	45.5	45.5	41.0	41.0	(0.472) (0.787) (0.512) (1.791) (1.791) (1.614) (1.614)
SCG-1002 (cULus)	1"	18.0	25.0	13.0	45.5	45.5	41.0	41.0	(0.709) (0.984) (0.512) (1.791) (1.791) (1.614) (1.614)

Bold numbers are metric, parenthesis numbers are inches.

Note: Product must be installed in accordance with applicable national and local electrical codes.



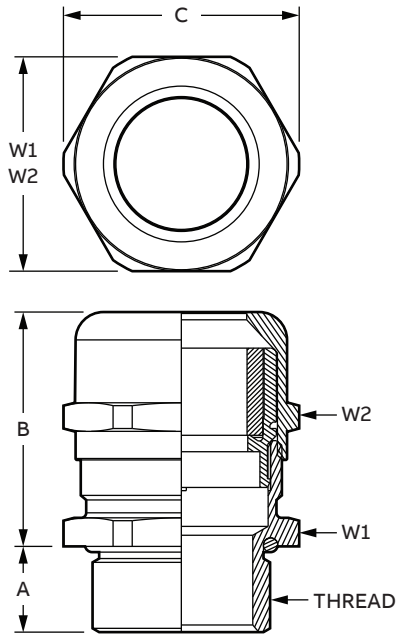
Part number information:



Stainless Steel Cable Gland 6-12mm
M20X1.5 (12mmTL)

Product selection								
Part no:	Thread (PG)	Cable range			Nominal dimensions			
		Min	Max	A	B	C	W1	W2
SCG-PG71	PG07	2.0	5.0	6.0	22.0	15.5	14.0	14.0
		(0.079)	(0.197)	(0.236)	(0.866)	(0.61)	(0.551)	(0.551)
SCG-PG71-L	PG07	2.0	5.0	10.0	22.0	15.5	14.0	14.0
		(0.079)	(0.197)	(0.394)	(0.866)	(0.61)	(0.551)	(0.551)
SCG-PG72 (cURus)	PG07	3.0	6.5	6.0	22.0	15.5	14.0	14.0
		(0.118)	(0.256)	(0.236)	(0.866)	(0.61)	(0.551)	(0.551)
SCG-PG72-L	PG07	3.0	6.5	10.0	22.0	15.5	14.0	14.0
		(0.118)	(0.256)	(0.394)	(0.866)	(0.61)	(0.551)	(0.551)
SCG-PG91	PG09	2.0	6.0	6.0	23.0	21.0	19.0	17.0
		(0.079)	(0.236)	(0.236)	(0.906)	(0.827)	(0.748)	(0.669)
SCG-PG91-L	PG09	2.0	6.0	10.0	23.0	21.0	19.0	17.0
		(0.079)	(0.236)	(0.394)	(0.906)	(0.827)	(0.748)	(0.669)
SCG-PG92 (cURus)	PG09	4.0	8.0	6.0	23.0	21.0	19.0	17.0
		(0.157)	(0.315)	(0.236)	(0.906)	(0.827)	(0.748)	(0.669)
SCG-PG92-L	PG09	4.0	8.0	10.0	23.0	21.0	19.0	17.0
		(0.157)	(0.315)	(0.394)	(0.906)	(0.827)	(0.748)	(0.669)
SCG-PG111	PG11	3.0	7.0	6.0	25.5	24.0	22.0	22.0
		(0.118)	(0.276)	(0.236)	(1.004)	(0.945)	(0.866)	(0.866)
SCG-PG111-L	PG11	3.0	7.0	10.0	25.5	24.0	22.0	22.0
		(0.118)	(0.276)	(0.394)	(1.004)	(0.945)	(0.866)	(0.866)
SCG-PG112 (cURus)	PG11	5.0	10.0	6.0	25.5	24.0	22.0	22.0
		(0.197)	(0.394)	(0.236)	(1.004)	(0.945)	(0.866)	(0.866)
SCG-PG112-L	PG11	5.0	10.0	10.0	25.5	24.0	22.0	22.0
		(0.197)	(0.394)	(0.394)	(1.004)	(0.945)	(0.866)	(0.866)
SCG-PG131	PG13.5	5.0	9.0	6.5	24.0	24.5	22.0	22.0
		(0.197)	(0.354)	(0.256)	(0.945)	(0.965)	(0.866)	(0.866)
SCG-PG131-L	PG13.5	5.0	9.0	10.0	24.0	24.5	22.0	22.0
		(0.197)	(0.354)	(0.394)	(0.945)	(0.965)	(0.866)	(0.866)
SCG-PG132 (cULus)	PG13.5	6.0	12.0	6.5	24.0	24.5	22.0	22.0
		(0.236)	(0.472)	(0.256)	(0.945)	(0.965)	(0.866)	(0.866)
SCG-PG132-L	PG13.5	6.0	12.0	10.0	24.0	24.5	22.0	22.0
		(0.236)	(0.472)	(0.394)	(0.945)	(0.965)	(0.866)	(0.866)
SCG-PG161	PG16	7.0	12.0	6.5	27.5	26.5	24.0	24.0
		(0.276)	(0.472)	(0.256)	(1.083)	(1.043)	(0.945)	(0.945)
SCG-PG161-L	PG16	7.0	12.0	10.0	27.5	26.5	24.0	24.0
		(0.276)	(0.472)	(0.394)	(1.083)	(1.043)	(0.945)	(0.945)
SCG-PG162 (cULus)	PG16	10.0	14.0	6.5	27.5	26.5	24.0	24.0
		(0.394)	(0.551)	(0.256)	(1.083)	(1.043)	(0.945)	(0.945)
SCG-PG162-L	PG16	10.0	14.0	10.0	27.5	26.5	24.0	24.0
		(0.394)	(0.551)	(0.394)	(1.083)	(1.043)	(0.945)	(0.945)
SCG-PG211	PG21	9.0	16.0	7.2	31.5	33.0	30.0	30.0
		(0.354)	(0.63)	(0.283)	(1.24)	(1.299)	(1.181)	(1.181)
SCG-PG211-L	PG21	9.0	16.0	10.0	31.5	33.0	30.0	30.0
		(0.354)	(0.63)	(0.394)	(1.24)	(1.299)	(1.181)	(1.181)
SCG-PG212 (cULus)	PG21	13.0	18.0	7.2	31.5	33.0	30.0	30.0
		(0.512)	(0.709)	(0.283)	(1.24)	(1.299)	(1.181)	(1.181)
SCG-PG212-L	PG21	13.0	18.0	12.0	31.5	33.0	30.0	30.0
		(0.512)	(0.709)	(0.472)	(1.24)	(1.299)	(1.181)	(1.181)

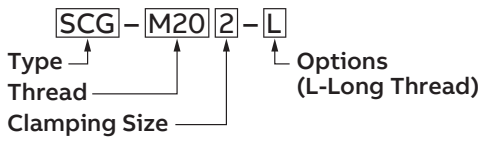
Bold numbers are metric, parenthesis numbers are inches.
Note: Product must be installed in accordance with applicable national and local electrical codes.



Product selection								
Part no:	Thread (PG)	Cable range			Nominal dimensions			
		Min	Max	A	B	C	W1	W2
SCG-PG291	PG29	12.0	20.0	8.0	40.5	45.5	41.0	41.0
		(0.472)	(0.787)	(0.315)	(1.594)	(1.791)	(1.614)	(1.614)
SCG-PG291-L	PG29	12.0	20.0	12.0	40.5	45.5	41.0	41.0
		(0.472)	(0.787)	(0.472)	(1.594)	(1.791)	(1.614)	(1.614)
SCG-PG292 (cULus)	PG29	18.0	25.0	8.0	40.5	45.5	41.0	41.0
		(0.709)	(0.984)	(0.315)	(1.594)	(1.791)	(1.614)	(1.614)
SCG-PG292-L	PG29	18.0	25.0	12.0	40.5	45.5	41.0	41.0
		(0.709)	(0.984)	(0.472)	(1.594)	(1.791)	(1.614)	(1.614)
SCG-PG361	PG36	20.0	26.0	9.0	47.5	55.5	50.0	50.0
		(0.787)	(1.024)	(0.354)	(1.87)	(2.185)	(1.969)	(1.969)
SCG-PG361-L	PG36	20.0	26.0	14.0	47.5	55.5	50.0	50.0
		(0.787)	(1.024)	(0.551)	(1.87)	(2.185)	(1.969)	(1.969)
SCG-PG362 (cULus)	PG36	22.0	32.0	9.0	47.5	55.5	50.0	50.0
		(0.866)	(1.26)	(0.354)	(1.87)	(2.185)	(1.969)	(1.969)
SCG-PG362-L	PG36	22.0	32.0	14.0	47.5	55.5	50.0	50.0
		(0.866)	(1.26)	(0.551)	(1.87)	(2.185)	(1.969)	(1.969)
SCG-PG421	PG42	25.0	31.0	12.0	48.0	66.5	60.0	60.0
		(0.984)	(1.22)	(0.472)	(1.89)	(2.618)	(2.362)	(2.362)
SCG-PG421-L	PG42	25.0	31.0	16.0	48.0	66.5	60.0	60.0
		(0.984)	(1.22)	(0.63)	(1.89)	(2.618)	(2.362)	(2.362)
SCG-PG422 (cULus)	PG42	30.0	38.0	12.0	48.0	66.5	60.0	60.0
		(1.181)	(1.496)	(0.472)	(1.89)	(2.618)	(2.362)	(2.362)
SCG-PG422-L	PG42	30.0	38.0	16.0	48.0	66.5	60.0	60.0
		(1.181)	(1.496)	(0.63)	(1.89)	(2.618)	(2.362)	(2.362)
SCG-PG481	PG48	29.0	35.0	14.0	49.5	72.0	65.0	65.0
		(1.142)	(1.378)	(0.551)	(1.949)	(2.835)	(2.559)	(2.559)
SCG-PG481-L	PG48	29.0	35.0	18.0	49.5	72.0	65.0	65.0
		(1.142)	(1.378)	(0.709)	(1.949)	(2.835)	(2.559)	(2.559)
SCG-PG482 (cULus)	PG48	34.0	44.0	14.0	49.5	72.0	65.0	65.0
		(1.339)	(1.732)	(0.551)	(1.949)	(2.835)	(2.559)	(2.559)
SCG-PG482-L	PG48	34.0	44.0	18.0	49.5	72.0	65.0	65.0
		(1.339)	(1.732)	(0.709)	(1.949)	(2.835)	(2.559)	(2.559)

Bold numbers are metric, parenthesis numbers are inches.
 Note: Product must be installed in accordance with applicable national and local electrical codes.

Part number information:



Stainless Steel Cable Gland 6-12mm
 M20X1.5 (12mmTL)

ABB Inc.
 Electrification products
 Memphis, Tennessee
 USA

We reserve the right to make technical changes or modify the contents of this document without prior notice. With regard to purchase orders, the agreed particulars shall prevail. ABB Inc. does not accept any responsibility whatsoever for potential errors or possible lack of information in this document.

We reserve all rights in this document and in the subject matter and illustrations contained therein. Any reproduction, disclosure to third parties or utilization of its contents – in whole or in parts – is forbidden without prior written consent of ABB Inc. Copyright© 2017 ABB Inc. All rights reserved.

