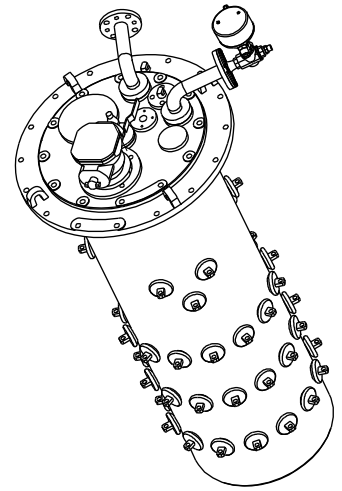
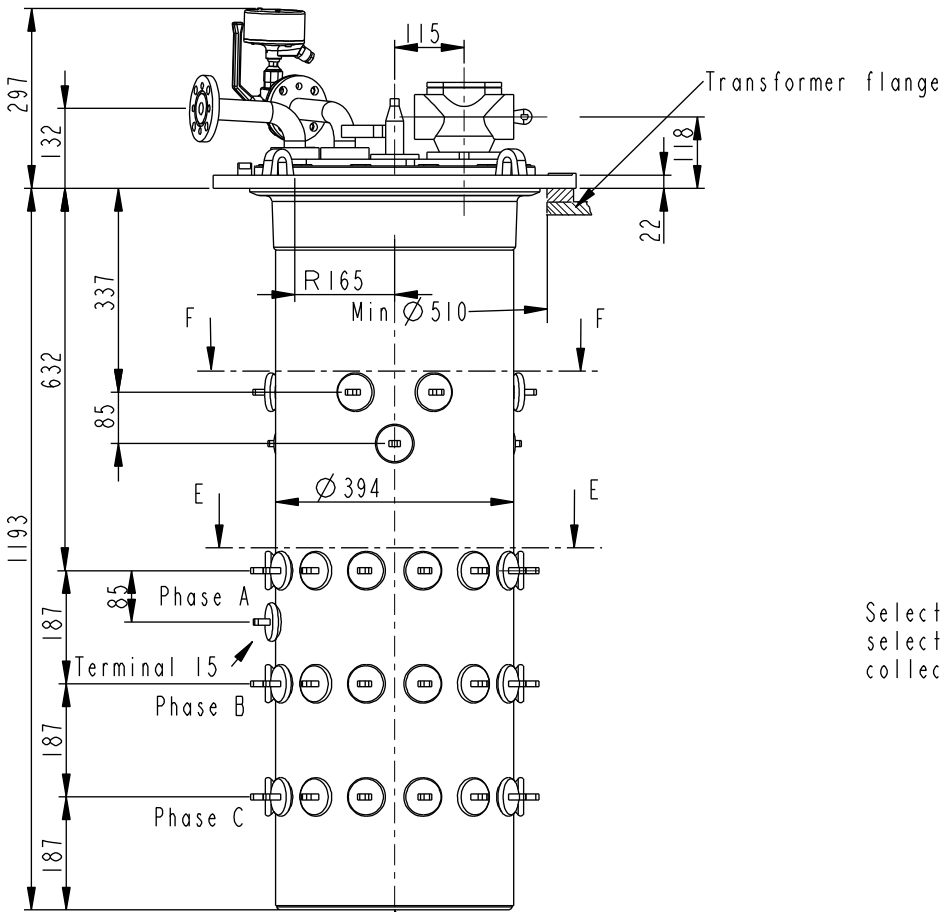
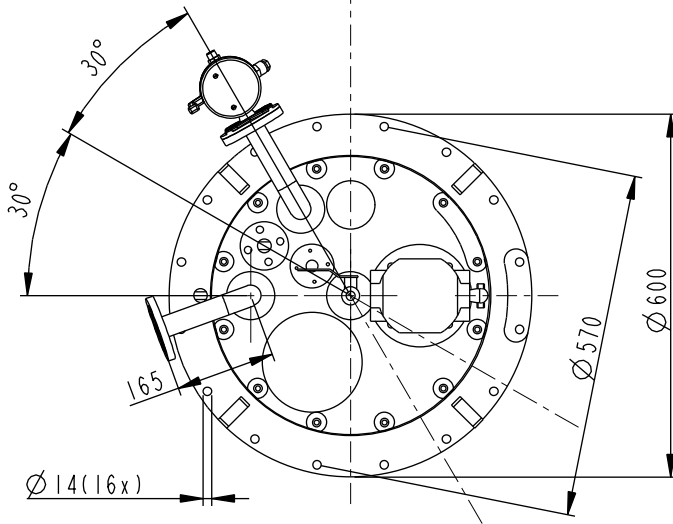
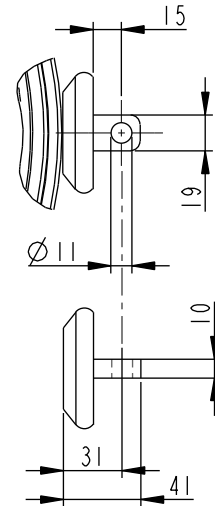


We reserve all rights in this document and in the information contained therein. Reproduction, use or disclosure to third parties without express authority is strictly forbidden. ©ABB



Selector switch contact, change-over selector contact and current collector terminal

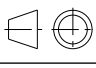



Potential=Terminal 15 (Phase A,B and C)

Inspection engineering review

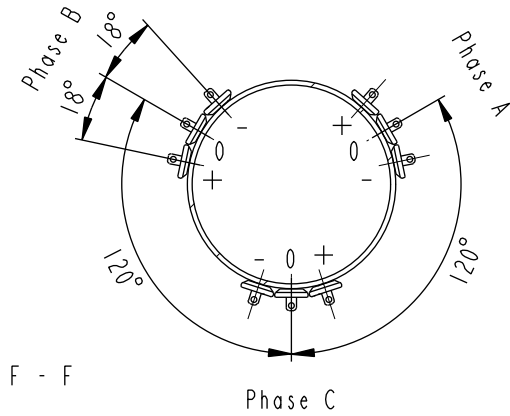
Production engineering review

Design engineering review

Based on	Reg. No.	Title TAP-CHANGER UBBR AND UBBD UBB.N XXX/YYY	 Language en Page 1(2)
Prepared T Sapila 96-04-09	Responsible department COM/TK		
Approved B Hultgren	Take over department		
Revision Rev.4 060926	Database DIMENSION_DWGS		
 <b>ABB Components</b>		Document No.	54920088-4

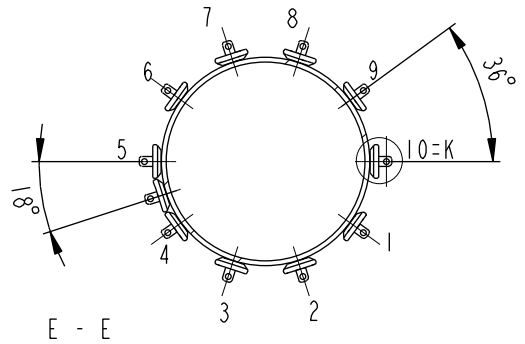
# CONTACT ARRANGEMENT

## Change-over selector

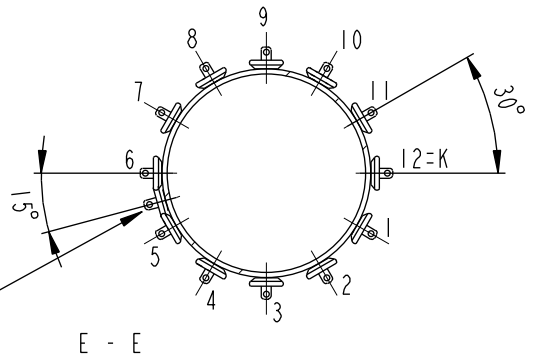


## Selector switch

7, 8, 9, 14, 15, 16, 17, 18, 19 POSITIONS

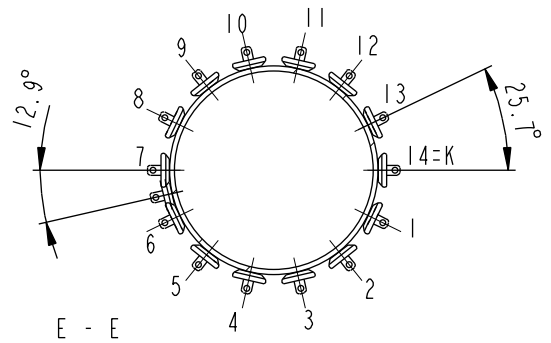


10, 11, 12, 20, 21, 22, 23 POSITIONS



Current collector terminal 15

13, 24, 25, 26, 27 POSITIONS



We reserve all rights in this document and in the information contained therein. Reproduction, use or disclosure to third parties without express authority is strictly forbidden. ©ABB

Production engineering review

Design engineering review

### ADDITIONAL DRAWINGS:

Connection Diagrams: See Technical Guide UB  
 Mounting on active part: 54920088-8  
 Top Section, Accessories: 54920088-10  
 Motor Drive BUL: 54830001-1  
 Motor Drive BUE: 54830001-2 or -3  
 External Drive Shaft: 54920088-9  
 Pressure Relay: 54920083-2  
 Bevel Gear: 54920083-1

Based on	Reg. No.	Title	
Prepared T Sapila 96-04-09	Responsible department COM/TK	TAP-CHANGER UBBR AND UBBD UBB.N XXX/YYY	
Approved B Hultgren	Take over department		
Revision Rev.4 06-09-26	Database DIMENSION_DWGS		Page 2(2)
<b>ABB Components</b>		Document No.	54920088-4

Inspection engineering review