

DEH-41375 Installation Instructions

EntelliGaurd® G Circuit Breaker Accessories

Introduction

Spring Charge Contact

All electrically operated (EO) ANSI/UL breakers are equipped with “Spring Charged” contacts for status indication.



Catalog Number: GSCC1

Table1. Parts List

Description	Quantity
Switch with harness	1
M3 screws	2
M3 washers	2
Spacer	1
Insulation sheet	1

Spring charge Contact



WARNING: Before installing any accessories, turn the breaker OFF, disconnect it from all voltage sources, and discharge the closing springs.



AVERTISSEMENT: Avant d'installer tout accessoire, mettre le disjoncteur en position OFF, le déconnecter de toute tension d'alimentation, et décharger les ressorts d'armement

Use the following procedure to install the Motor Operator accessory into the circuit breaker.

1. Check that the package contains all the parts listed in Table 1. If any components are missing, contact the Electrical Distribution Post Sales Service Team at 1-888-437-3765.
2. Turn the breaker off and discharge the closing springs by depressing the OFF and ON buttons in the sequence OFF-ON-OFF. Verify that the breaker OFF-ON indicator shows OFF on a green background and that the charge indicator shows DISCHARGE on a white background. If installing in a draw-out type breaker remove breaker from adaptor (cassette) before continuing.
3. Loosen the 6 screws on front cover (fascia) using a pozidrive screw driver as shown in Fig 1.B Rotate the charging handle down and slide the front cover over the handle to remove the front cover as shown in Fig. 1.C



Figure 1. (A) Front Cover (B) Screw Removal (C) Handle Rotation

4. Disconnect the input wire assembly plugs for the motor and the spring charge status indicator switch as shown in fig.7.

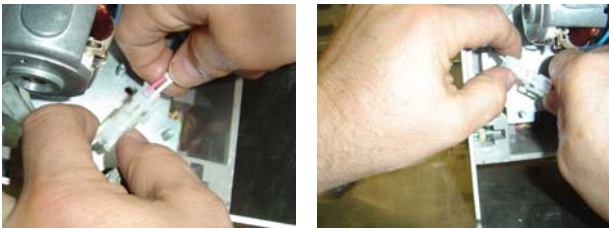


Figure 7. Connectors

6. Remove the M8 nylock nut from the end of the camshaft.

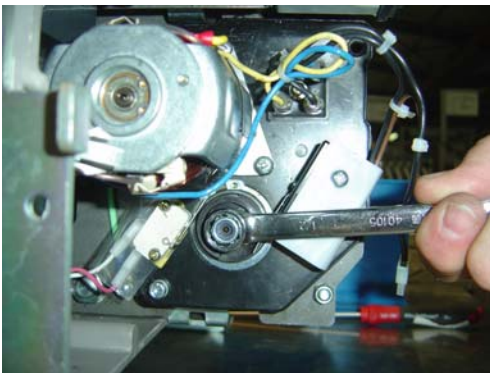


Figure 6. Nut

7. Remove the cam from the cam drive shaft.

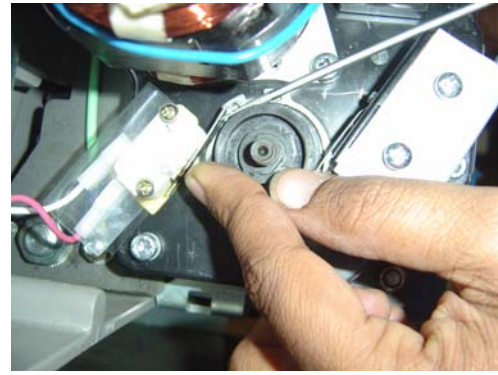


Figure 5. Motor cam

8. Take out the motor operator which is aligned on the 3 mounting holes in the side sheet by rotating it and removing three M5 bolts from the gearbox endplate.

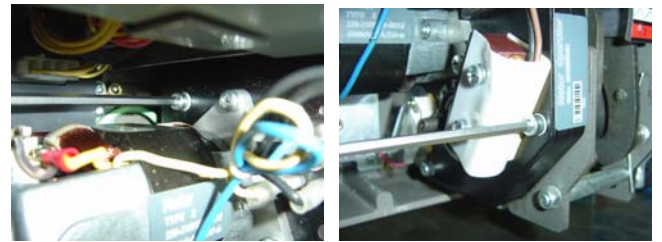
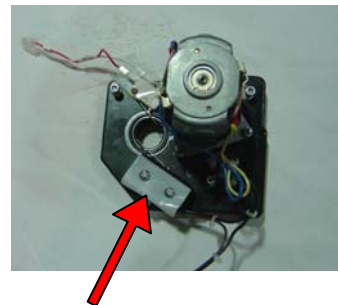


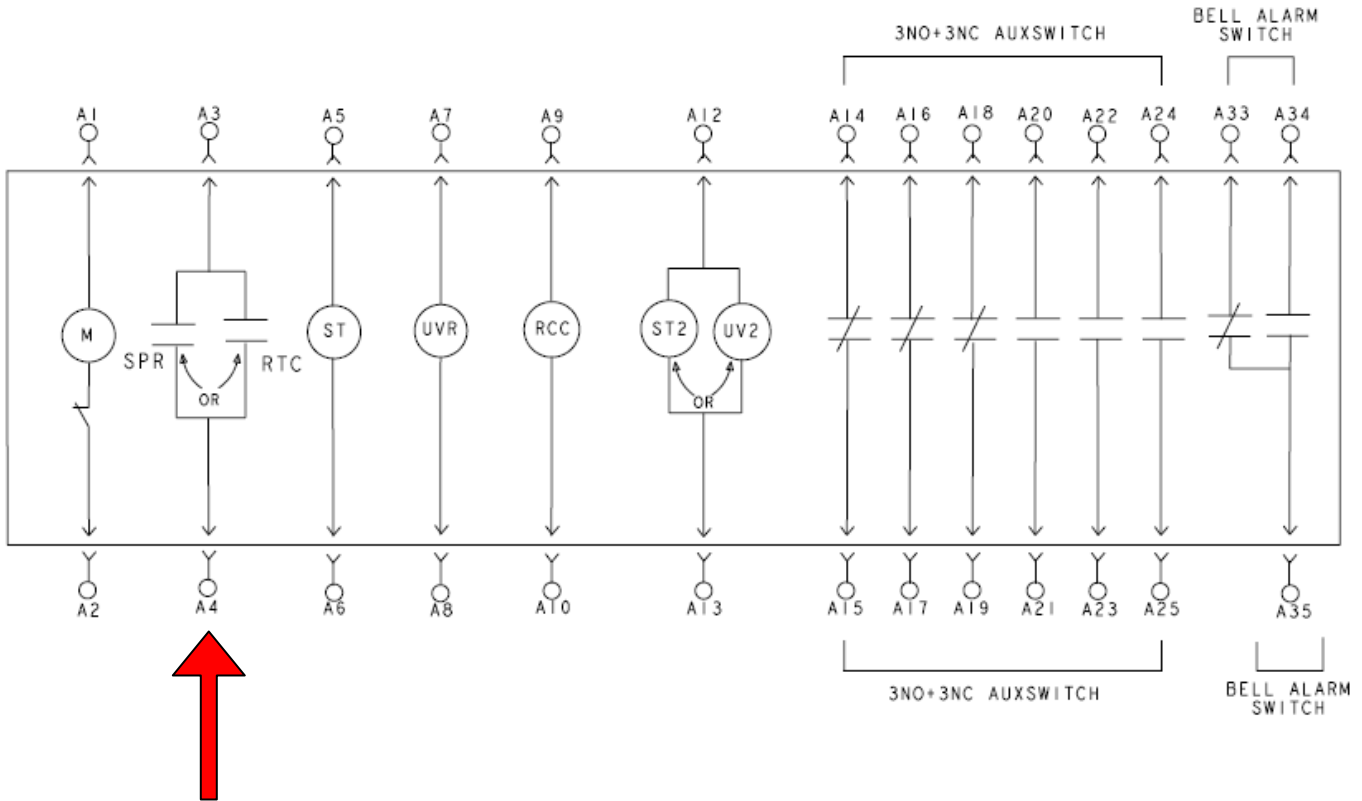
Figure 4. Screws

9. Replace the existing spring charge contact assembly with the new assembly by removing the two screws.



10. Re-assemble the motor operator. Refer DEH-41413 for the sequence of the steps.

STANDARD CONNECTION SCHEME FOR TERMINAL BLOCK A



These instructions do not cover all details or variations in equipment nor do they provide for every possible contingency that may be met in connection with installation, operation, or maintenance. Should further information be desired or should particular problems arise that are not covered sufficiently for the purchaser's purposes, the matter should be referred to the ABB Inc.

—
ABB Inc.
 305 Gregson Drive
 Cary, NC 27511.
 electrification.us.abb.com

—
 We reserve the right to make technical changes or modify the contents of this document without prior notice. With regard to purchase orders, the agreed particulars shall prevail. ABB Inc. does not accept any responsibility whatsoever for potential errors or possible lack of information in this document.

We reserve all rights in this document and in the subject matter and illustrations contained therein. Any reproduction or utilization of its contents – in whole or in parts – is forbidden without prior written consent of ABB Inc.
 Copyright© 2019 ABB
 All rights reserved