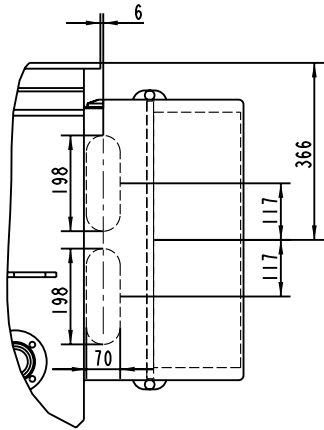


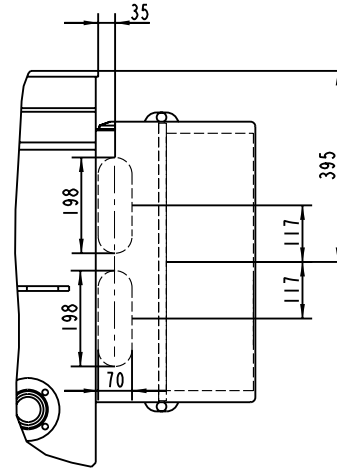
We reserve all rights in this document and in the information contained therein. Any reproduction or disclosure to third parties without express authority is strictly forbidden. ©ABB

CONNECTION OPENINGS FOR UZE 200



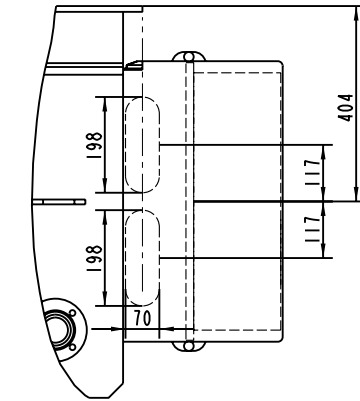
A-A

CONNECTION OPENINGS FOR UZE 380



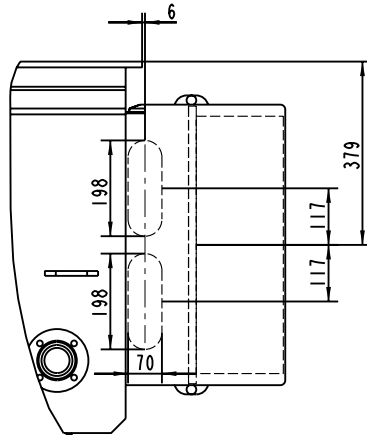
A-A

CONNECTION OPENINGS FOR UZE 550/650

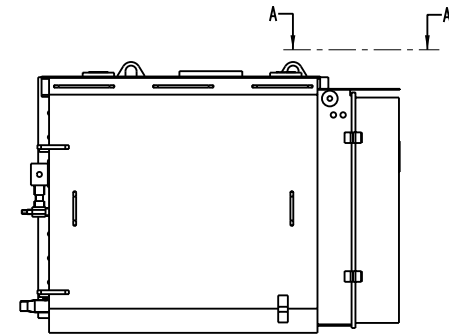



A-A

CONNECTION OPENINGS FOR UZE 250



A-A



Based on	Reg. No.	Title <b>TWO CONNECTION OPENINGS FL21 TAP-CHANGER UZE</b>	 Language <b>en</b> Page <b>1(1)</b>
Prepared T Sapila 96-11-05	Responsible department COM/TK		
Approved M Eriksson	Take over department		
Revision	Database DIMENSION_DWGS		
<b>ABB</b> ABB Components		Document No. <b>54920089-12</b>	