

NOTES:

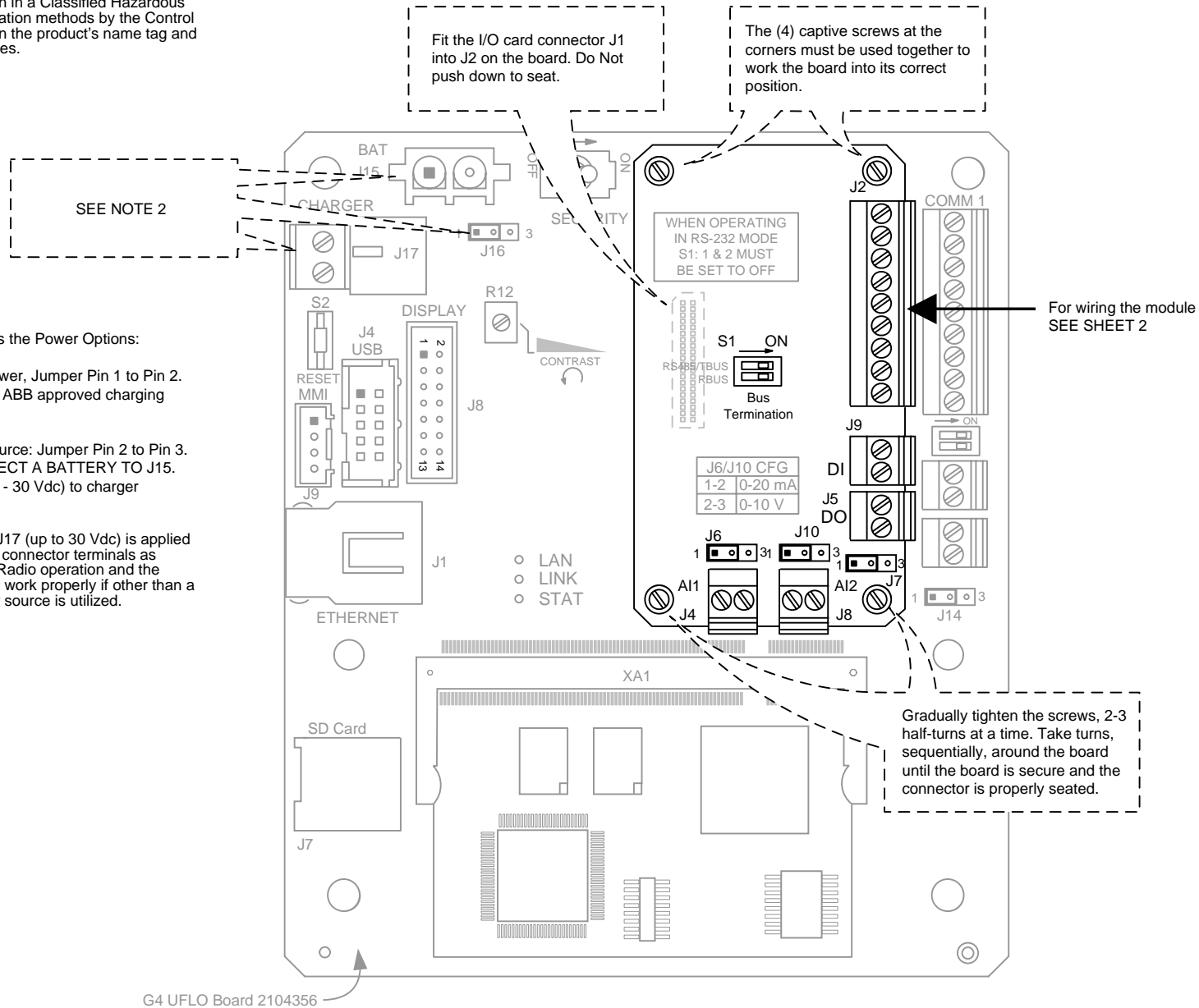
1. **WARNING:** This drawing does not illustrate the installation methods required for hazardous locations. Prior to any installation in a Classified Hazardous Location, verify installation methods by the Control Drawing referenced on the product's name tag and national and local codes.

2. The Jumper at J16 sets the Power Options:

For Solar & Battery Power, Jumper Pin 1 to Pin 2.  
**Note:** Power to J17 by ABB approved charging source.

For External Power Source: Jumper Pin 2 to Pin 3.  
**Note:** DO NOT CONNECT A BATTERY TO J15.  
 Wire external power (9 - 30 Vdc) to charger connector J17.

**WARNING:** Power at J17 (up to 30 Vdc) is applied to the Communication connector terminals as power for radios, etc. Radio operation and the Inhibit feature may not work properly if other than a nominal 12 Vdc power source is utilized.



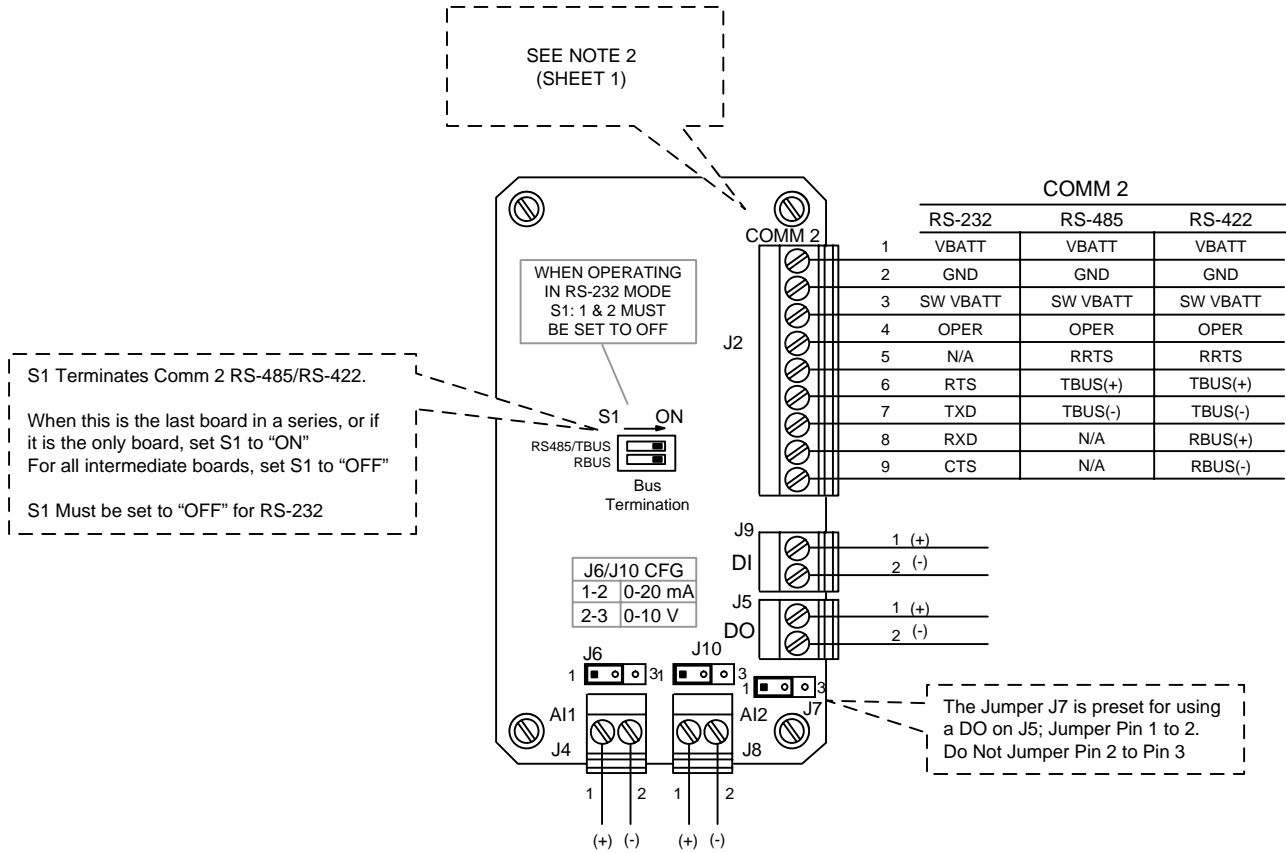
G4 UFLO Board 2104356

**Installing the optional I/O card on the UFLOG4 board**

REF:N/A

	<b>TOTALFLOW</b> Products	ACTION	DOC TYPE	TITLE	DWG NO.	REV	SHEET
		D31815	UD	UFLO <sup>G4</sup> OPT1 I/O (2104395 BOARD) WIRING W/RS-232, 485 AND 422 FOR COMM2	2104568	AB	1 OF 2

NOTES:



Option I/O Card Wiring Pin-outs

REF:N/A

	TOTALFLOW	ACTION	DOC TYPE	TITLE	DWG NO.	REV	SHEET
	Products	D31815	UD	UFLO <sup>G4</sup> OPT1 I/O (2104395 BOARD) WIRING W/RS-232, 485 AND 422 FOR COMM2	2104568	AB	2 OF 2