

1VYN404790-033 Rev - 00

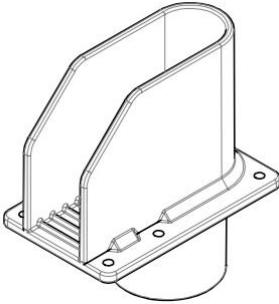
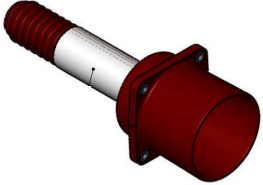
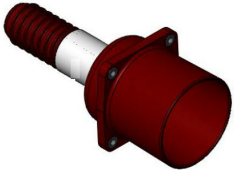
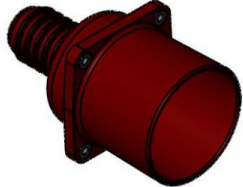
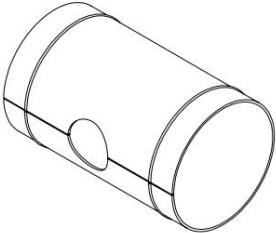
ZN1 –Spare Part List

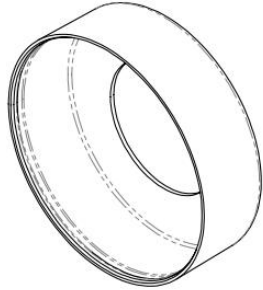
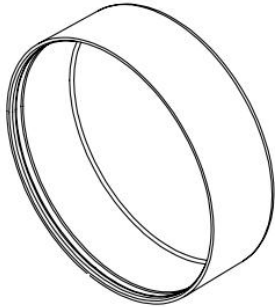
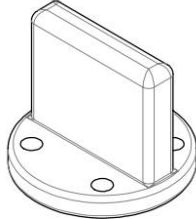

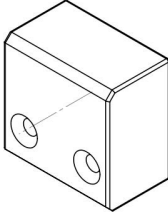


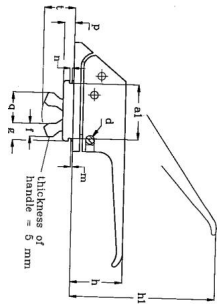
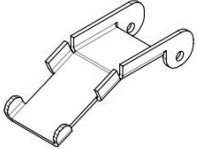

1. Introduction

The following tables show the details and drawing number for the spare parts generally available for the ZN1 type indoor switchgear.

1.1 Spare Part list for ZN1 Switchgear

SI NO	Drawing Number	Description	Photo
1	2REA018013A0001	TOP BUSHING ASSEMBLY	
2	2REA018035A0001	Bottom Bushing (LT CT)	
3	2REA018028A0001	Bottom Bushing (LT CT)	
4	2REA018035A0001	Bottom Bushing (HT CT)	
5	2REA021584P0001	Shroud	

6	2REA021583P0001	Shroud Cover with hole	
7	2REA021583P0002	Shroud End Cover	
8	2REA018012P0001	Current Collector	
9	2REA018525P0001	CONTACT PIN	
10	2REA021827P0001	Aluminium Block for PT	

11	T27031	HANDLE	
12	2REA018273P0001	RAMP	
13	1VYN302901-Z	RACK.HANDLE	
14	Isoflex Topas NB52	Lubricant	
15	Ethanol F25 M	For Cleaning Agent	
16	RAL 7032	Touch up paint.	

ABB

Document Title

ZN1 Spare part List

Document No	Date & Rev. Index	No. of Pages	Page
1VYN404790-033	24.12.2012 Rev: 00	6	6