

Mounted ball bearings Dodge® metal detectable end cover

Keeping food and employees safe

Today, more than ever, food and beverage companies are facing tougher food safety regulations, as well as the need to provide a safe working environment. Traditional plastic end covers for ball bearings that protect workers from moving parts are not practical under strict industry guidelines, as plastic pieces are not detectable if they fall into food.

The solution is the Dodge patent pending metal detectable end cover that will keep workers safe, without compromising food quality. The end covers are constructed of a durable, high-density polyethylene (HDPE) material containing stainless steel particles. This material allows the end covers to be detected by x-ray equipment and metal detectors used in food and beverage applications, ensuring that if any piece of the cover falls into the food, it will be found.

Features:

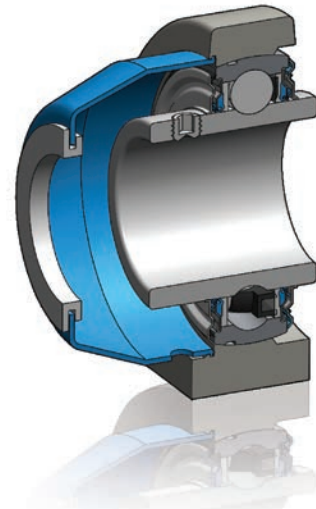
- Patent pending polyethylene material containing stainless steel
- Visible blue color enables quick inspection
- Snap on style provides easy installation
- Secure and rigid fit to withstand high-pressure washdowns
- Fits all Dodge Ultra Kleen® and E-Z Kleen® mounted ball bearings
- Operating temperature range -28° C to 107° C (9°-18° F to 225° F)

Dodge metal detectable end covers:

- Include a drain hole to prevent moisture from collecting inside the cover
- Provide positive sealing in wet environments
- Create a safer working condition by covering exposed, rotating shafts



Patent Pending



End covers incorporate an additional lip on the mounting surface creating a better seal and reducing the chance that the cover will get knocked off during operation or high-pressure cleaning.

Open end cover

Shaft size	Part number	Description
3/4	128974	ECO-EZ-012
20mm	128991	ECO-EZ-20M
1	128975	ECO-EZ-100
25mm	128992	ECO-EZ-25M
1-3/16	128976	ECO-EZ-103
1-1/4	128989	ECO-EZ-104S
30mm	128993	ECO-EZ-30M
1-1/4	128977	ECO-EZ-104
1-7/16	128990	ECO-EZ-107
35mm	128994	ECO-EZ-35M
1-1/2	128978	ECO-EZ-108
40mm	128995	ECO-EZ-40M
1-11/16	128979	ECO-EZ-111
45mm	128996	ECO-EZ-45M
1-15/16	128980	ECO-EZ-115
50mm	128997	ECO-EZ-50M

Closed end cover

Series	Part number	Description
204	128960	ECC-EZ-204
205	128961	ECC-EZ-205
206	128962	ECC-EZ-206
207	128963	ECC-EZ-207
208	128964	ECC-EZ-208
209	128965	ECC-EZ-209
210	128966	ECC-EZ-210

Dodge washdown bearing solutions

Designed specifically for the food and beverage industry, Dodge Ultra Kleen and E-Z Kleen mounted ball bearings provide long life in in harsh washdown conditions.

Ultra Kleen ball bearings



Ultra Kleen bearings feature a stainless steel insert and provide the highest level of performance in the most severe applications. Available in a stainless steel or a patented reinforced polymer housing, these bearings are engineered for extended life in wet and corrosive environments.

- 100% stainless steel insert
- Factory-filled food grade grease
- Operating temperature range -20° C to 107° C (-4° F to 225° F)
- Optional operating temperature (stainless housing only) -40° C to 204° C (-40° F to 400° F) with special grease and seal package
- 20 mm to 50 mm (3/4" to 2") bore sizes
- 65° set screws provide maximum locking force
- Optional metal detectable end cover

E-Z Kleen ball bearings



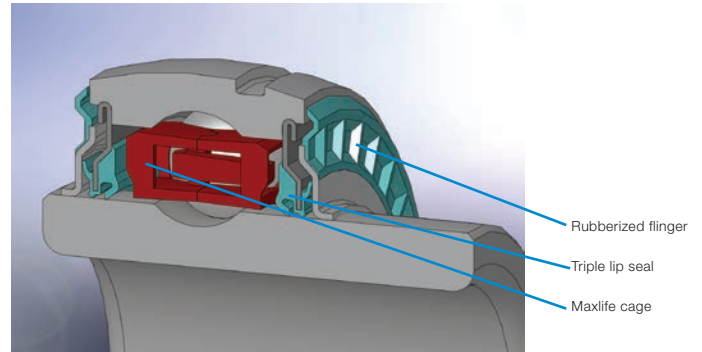
Dodge E-Z Kleen ball bearings use a patented, corrosion resistant coating that is superior to any coated product in the market. Corrosion resistant inserts are available in either a stainless steel or a patented reinforced polymer housing.

- Patented nickel alloy composite coating
- Factory-filled food grade grease
- Operating temperature range -20° C to 107° C (-4° F to 225° F)
- Optional operating temperature (stainless housing only) -40° C to 204° C (-40° F to 400° F) with special grease and seal package
- 20mm to 50 mm (3/4" to 2") bore sizes
- Offered in adapter mount (Grip Tight), concentric (D-Lok), and set screw (SC) locking mechanisms
- Optional metal detectable end cover

Patented features to extend bearing life

The high-pressure washdown process is hard on bearings; caustic sprays can penetrate or degrades seal effectiveness and shorten the operating life of standard products. Ultra Kleen and E-Z Kleen are the only bearings in the industry to offer a patented sealing system to ensure longer life in these harsh environments.

QuadGuard™ seal



This patented sealing system is made up of a triple-lip seal, plus a contacting flinger to create four areas of protection. This superior design keeps contaminants out and grease in, increasing service life in severe washdown conditions.

- Mechanically retained seal
- Three areas of contact
- No gaps for more protection
- Rotating fingers discard contaminants

Maxlife™ cage



The Maxlife cage is an industry leading two-piece design that creates a constant grease compartment around each of the rolling elements.

- Prevents washout in wet environments
- Helps retain lubricant
- Reduces wear and minimizes friction
- Requires less re-lubrication

For more information:

new.abb.com/mechanical-power-transmission

9AKK106821 EN 04-2016