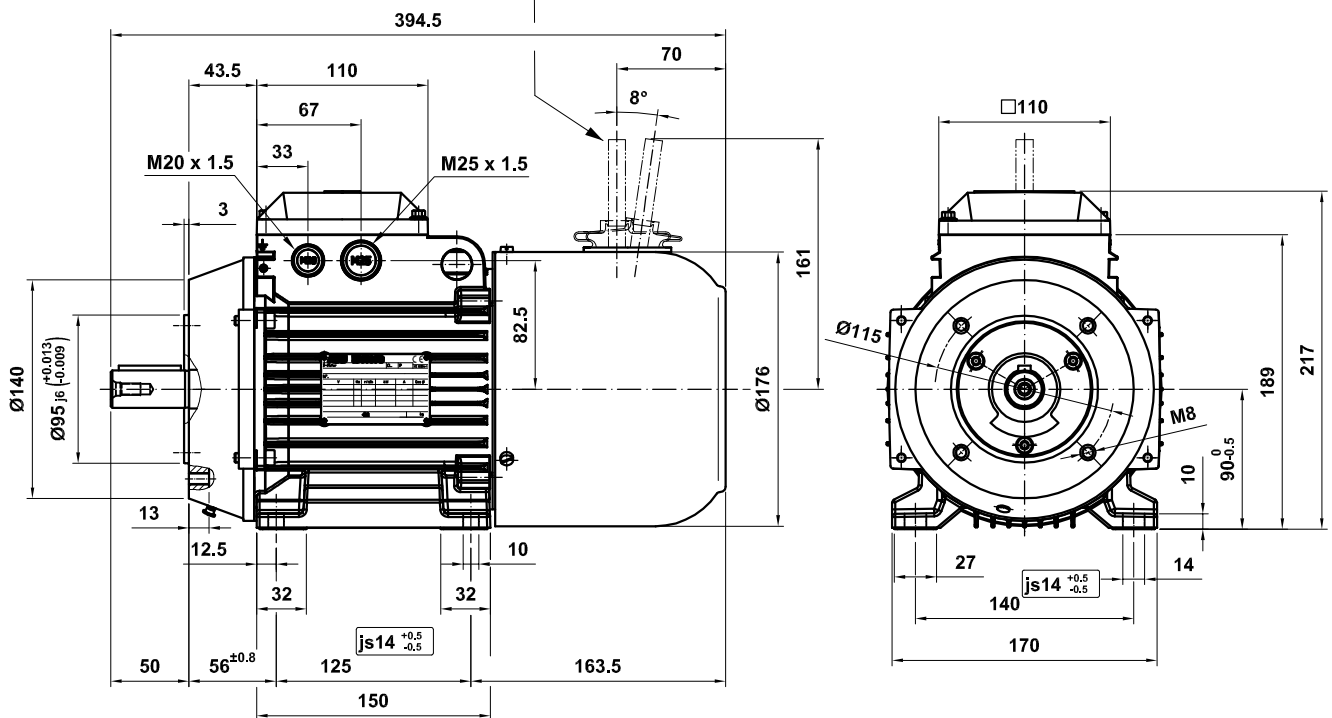


Manual hand release



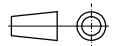
M3ARF(S) 090L

Motor Dimension Print

Motor Type :
M3ARF(S) 090 L

Document N° :
A1.4895

Description :
Brake motor foot and flange mounted IM2101 / Motor freno con patas y brida IM2101



Unit : Automation Products - Fábrica Motores
Date : 2008-03-31

Issued by : EMD/ G.Gállego
Approved by : EMD/ G.Blanes

Replaces :
Replaced by :

Asea Brown Boveri, S.A.

Customer Reference :

