

## 18 - Disconnect switches

### Non-fusible disconnect switches ..... 18.1 - 18.18

Accessories for double throw switches .....	18.17
Base & DIN rail mounted, 16 - 3150A .....	18.5
Cable operated flange, 30 - 200A .....	18.14
Description .....	18.1
Door mounted switches, 16 - 100A .....	18.11
Double throw switches, 16 - 600A .....	18.15
Handles & shafts for double throw switches .....	18.16
OT800 - 1200A, New product coming soon! .....	18.18
Selection guide, OT16F3 - OT160E3 .....	18.2
Selection guide, OT200-600, OETL--NF800A-3150 .....	18.3
Selection information .....	18.4
Shaft operated flange, 30 - 100A .....	18.13
Special configurations .....	18.16, 18.17
Special configurations, 16 - 600A .....	18.15
Special configurations, 30 - 100A .....	18.13
Special configurations, 30 - 200A .....	18.14
Standard handles & shafts .....	18.6, 18.7
Standard non-fusible accessories .....	18.10, 18.8, 18.9
Standard non-fusible accessories for door mounted switches .....	18.12

### Fusible disconnect switches ..... 18.19 - 18.36

#### Selection

BS fuse pattern, 20 - 800A .....	18.32
Base & DIN rail mounted, 30 - 800A .....	18.22
Cable operated flange, 30 - 200A .....	18.29
DIN fuse pattern, 32 - 800A .....	18.33
High speed fuse pattern .....	18.30, 18.31
NFC fuse pattern, 63 - 125A .....	18.34
OS800, New product coming soon! .....	18.35
Other configurations .....	18.30, 18.31
Other configurations, 20 - 800A .....	18.32
Other configurations, 32 - 800A .....	18.33
Other configurations, 63 - 125A .....	18.34
Selection guide, OS30AFCC12 - OES800L3 .....	18.20
Selection information .....	18.21
Shaft operated flange, 30 - 100A .....	18.28
Special configurations, 30 - 100A .....	18.28, 18.29
Special type fuses .....	18.30
Description .....	18.19, 18.23, 18.24

#### Accessories

Accessories for base & DIN rail mounted switches .....	18.25, 18.26, 18.27
Additional poles .....	18.26
Auxiliary contacts .....	18.25
Fuse carriers/covers .....	18.26
Fuse monitors .....	18.26
Locking accessories .....	18.27
Replacement parts .....	18.27
Shaft accessories .....	18.27
Shorting bars .....	18.27
Standard fusible accessories .....	18.25, 18.26, 18.27
T type fuse adaptor kit .....	18.27
Terminal lugs .....	18.25
Terminal shrouds .....	18.26

### Enclosed disconnect switches ..... 18.37 - 18.56

#### Selection

2 & 4 Pole, 30 - 800A .....	18.54
2 pole, 125 - 3150A .....	18.46
3 pole bypass, 16 - 1200A .....	18.50
3 pole double throw, 16 - 1200A .....	18.49
3 pole mechanically interlocked, 16 - 1200A .....	18.51

3 pole, 16 - 3150A .....	18.45
3 pole, 16 - 3150A .....	18.44
3 pole, 30 - 800A .....	18.53
4 pole, 16 - 3150A .....	18.47
6 Pole, mechanically interlocked, 30 - 800A .....	18.55
6 pole, 16 - 1200A .....	18.48
Description .....	18.37
General information, fusible, 30 - 800A .....	18.43
General information, non-fusible, 16 - 3150A .....	18.42
Mechanically interlocked, 6 pole, 30 - 800A .....	18.55
eOT Enclosed switches .....	18.38
eOT Enclosed switches, non-fusible, fusible & lockable .....	18.41

#### Accessories

Auxiliary contacts .....	18.52, 18.56
Miscellaneous accessories .....	18.52, 18.56

#### Dimensions

eOT16 - eOT45U .....	18.39
eOT63 .....	18.40

### Technical data ..... 18.57 - 18.74

Auxiliary contact timing diagrams, OS200 - OES800 .....	18.70
Auxiliary contact timing diagrams, OS30 - OS100 .....	18.69
Auxiliary contact timing diagrams, OT16 - OT100 .....	18.67
Auxiliary contact timing diagrams, OT160 - OETL-NF3150 .....	18.68
Definitions .....	18.74
IEC Environmental ratings .....	18.73
NEMA Environmental ratings .....	18.72
OS30AF_12 - OES800L3, IEC .....	18.65, 18.66
OS30AF_12 - OES800L3, UL & CSA .....	18.64
OT16F3 - OT160E3, IEC .....	18.60, 18.62
OT16F3 - OT160E3, UL & CSA .....	18.58
OT200U03 - OETL-NF3150, IEC .....	18.61, 18.63
OT200U03 - OETL-NF3150, UL & CSA .....	18.59
Other configuration descriptions .....	18.71
Selecting switches per NEC .....	18.57
Use of UL98 & UL508 disconnects .....	18.57

### Dimensions (Non-Fusible & Fusible) ..... 18.75 - 18.98

16A - 3150A, 2, 3 & 4 Pole .....	18.97
30 - 800A, 2, 3 & 4 Pole .....	18.96
Conversion mechanisms, 125 - 200A .....	18.91
Conversion mechanisms, 16 - 100A .....	18.90
Conversion mechanisms, 400 - 1200A .....	18.92
Conversion mechanisms, 400 - 3150A .....	18.93
Handles .....	18.94, 18.95
OES800L3 .....	18.87, 18.89
OETL-NF1200 - OETL - NF1600 .....	18.82
OETL-NF2000 - OETL-NF3150 .....	18.83
OS100J03 - OS200J03 .....	18.85
OS30AF_12 - OS60J_12 .....	18.84
OS400J03 - OS600J03 .....	18.86
OT16 - OT100F3C, Double throw .....	18.78
OT160E3 & OT160ET3 .....	18.79
OT16F3 - OT100F3 .....	18.75
OT16F6 - OT100F6, 6 pole .....	18.77
OT16FT3 - OT100FT3, Door mounted .....	18.76
OT200_ - OT400 .....	18.80
OT600U03 - OETL-NF800A .....	18.81
Terminal lugs .....	18.88



# Non-fusible Disconnect switches



**Non-fusible disconnect switches**  
16A – 3150A, 600V

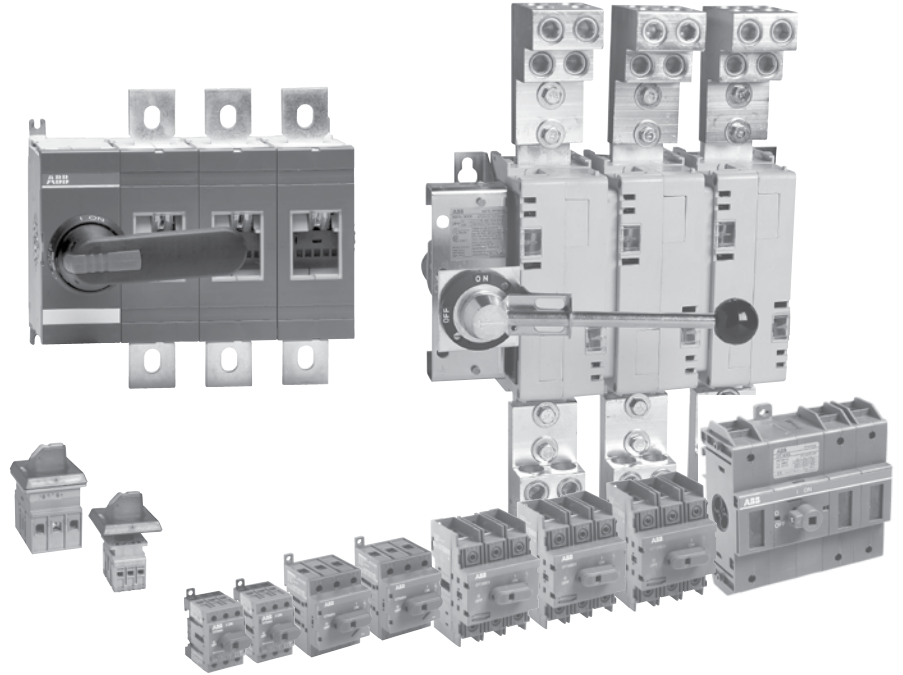


ABB SwitchLine includes 16 different amperage sizes from 16A to 3150A. The basic construction provides flexibility, safety, and high performance in an extremely compact size. ABB SwitchLine is a perfect choice for all switching applications from industrial motor control to construction safety switches.

### International acceptance

UL listed, CSA approved, IEC rated, CE marked, and most other international standards.

**UL98 (CSA 22.2 No.4)** – UL File # E101914, CSA File #LR58077

*For OT30, OT60, OT100, OT125, OT200, OT400, OT600, OETL-NF800 – OETL-NF2000 switches, OH\_ pistol grip handles*

Suitable for use as motor disconnects or industrial control panel disconnects on service entrance equipment, panelboards, switchboards, industrial control equipment, motor control centers, etc. and are horsepower rated and ampere rated.

**UL508 (CSA 22.2 No. 14)** – UL File # E63822, CSA File #LR58247

*For OT16 – OT80 switches, OH\_ selector handles*

Suitable for use in equipment or machinery as motor controllers & motor disconnects and are horsepower and ampere rated.

### IEC

Tested in accordance to IEC 947-1 and 3, IEC 664, IEC 269, and IEC 204

### CE

Compliance with the European Machine Directive IEC 204 (EN 60204)

## General information

### Selection guide

### OT16F3 – OT160E3



OT16F3 OT25F3 OT40F3

OT63F3 OT80F3

OT30F3 OT60F3 OT100F3

Catalog number	3 pole	OT16F3	OT25F3	OT40F3	OT63F3	OT80F3	OT30F3	OT60F3	OT100F3
<b>General purpose amp rating</b>	<b>A</b>	<b>16</b>	<b>25</b>	<b>40</b>	<b>60</b>	<b>80</b>	<b>30</b>	<b>60</b>	<b>100</b>
Approvals ①									
	2 pole	N/A	N/A	N/A	N/A	N/A	N/A	N/A	N/A
	3 pole	UL508	UL508	UL508	UL508	UL508	UL98	UL98	UL98
	4 pole	UL508	UL508	UL508	UL508	UL508	UL98	UL98	UL98
<b>Technical ratings – UL, CSA ②</b>									
Max operating voltage	V	600	600	600	600	600	600	600	600
Max horsepower rating									
Three phase									
240V	HP	5	7.5	10	15	20	10	20	30
480V	HP	10	15	20	30	40	20	40	50
600V	HP	10	20	25	30	40	30	40	50
Single phase									
120V	HP	1	1.5	2	2	2	2	3	5
240V	HP	2	3	5	5	5	5	7.5	15
<b>Technical ratings – IEC ②</b>									
Rated insulation and operational voltage. AC20 and DC20	V	750	750	750	750	750	750	750	750
Rated thermal current, I <sub>n</sub>									
AC 20/DC 20 open	A	25	32	40	63	80	40	63	115
AC 20/DC 20 enclosed	A	25	32	40	63	80	40	63	115
AC 21A ≤500V	A	16	25	32	63	80	40	63	100
AC 21A ≤690V	A	16	25	32	63	80	40	63	100
Rated operational power AC23									
400/415V	kW	7.5	9	11	22	37	15	18.5	37
690V	kW	7.5	9	11	15	18.5	15	15	37
<b>Physical characteristics</b>									
Weight ③	3 pole	lb	0.24	0.24	0.24	0.59	0.59	0.79	0.79
Dimension	3 pole	H in	2.68	2.68	2.68	3.60	3.60	3.94	3.94
		W in	1.38	1.38	1.38	2.07	2.07	2.76	2.76
		D in	2.20	2.20	2.20	2.85	2.85	2.95	2.95
<b>Accessories</b>									
Terminal lug kit		Integral	Integral	Integral	Integral	Integral	Integral	Integral	Integral
Terminal shroud		•	•	•	•	•	•	•	•
Auxiliary contact		•	•	•	•	•	•	•	•
Shaft/handle diameter		6mm .24" x .24"	6mm .24" x .24"	6mm .24" x .24"	6mm .24" x .24"	6mm .24" x .24"	6mm .24" x .24"	6mm .24" x .24"	6mm .24" x .24"
Handle UL/NEMA type									
Type 1, 3R, 12		•	•	•	•	•	•	•	•
Type 1, 3R, 4, 4X, 12		•	•	•	•	•	•	•	•
Handle type									
Selector		•	•	•	•	•	—	—	—
Pistol		•	•	•	•	•	•	•	•
Recommended pistol handle length		45 - 65mm	45 - 65mm	45 - 65mm	45 - 65mm	45 - 65mm	45 - 65mm	45 - 65mm	45 - 65mm
Maximum recommended shaft length		290mm	290mm	290mm	290mm	290mm	290mm	290mm	290mm
Conversion kits									
6 pole		•	•	•	•	•	•	•	•
Transfer		•	•	•	•	•	•	•	•
Bypass		•	•	•	•	•	•	•	•
Mechanical interlock		•	•	•	•	•	•	•	•
Electrical interlock		—	—	—	—	—	—	—	—

• = Available  
— = Not available

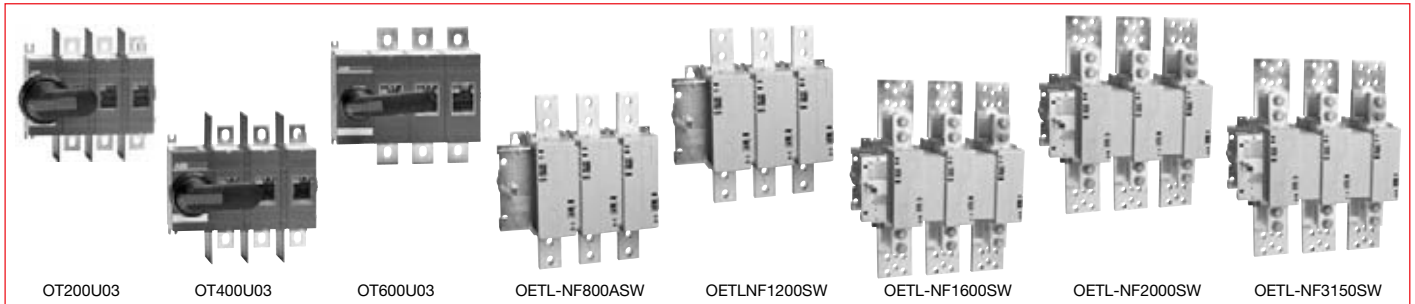
① UL listed switches are also CSA approved.  
② For complete technical information please see page 18.38 – 18.70.  
③ Switch only.

# General information

## Selection guide

### OT200 – OT600 & OETL-NF800A – OETL-NF3150

Disconnect  
switches  
Non-fusible



Catalog number	3 pole	OT200U03	OT400U03	OT600U03	OETL-NF800A	OETL-NF1200	OETL-NF1600	OETL-NF2000	OETL-NF3150
<b>General purpose amp rating</b>	<b>A</b>	<b>200</b>	<b>400</b>	<b>600</b>	<b>800</b>	<b>1200</b>	<b>1600</b>	<b>2000</b>	<b>3150</b>
Approvals ①									
	2 pole	N/A	N/A	UL98 & IEC	UL98 & IEC	UL98 & IEC	UL98 & IEC	UL98 & IEC	IEC
	3 pole	UL98 & IEC	UL98 & IEC	UL98 & IEC	UL98 & IEC	UL98 & IEC	UL98 & IEC	UL98 & IEC	IEC
	4 pole	UL98 & IEC	UL98 & IEC	UL98 & IEC	IEC	IEC	IEC	IEC	IEC
<b>Technical ratings – UL, CSA ②</b>									
Max operating voltage	V	600	600	600	600	600	600	480	600
Max horsepower rating									
Three phase									
240V	HP	75	125	200	250	—	—	—	—
480V	HP	150	250	450	500	—	—	—	—
600V	HP	200	350	500	600	—	—	—	—
Single phase									
120V	HP	—	—	—	—	—	—	—	—
240V	HP	—	—	—	—	—	—	—	—
<b>Technical ratings – IEC ③</b>									
Rated insulation and operational voltage. AC20 and DC20	V	1000	1000	1000	1000	1000	1000	1000	1000
Rated thermal current, I <sub>th</sub>									
AC 20/DC 20 open	A	250	400	800	1250	1600	2500	2500	3150
AC 20/DC 20 enclosed	A	250	400	800	1250	1600	2300	2300	2600
AC 21A ≤500V	A	250	400	800	1250	1600	2500④	2500④	3150④
≤690V	A	250	400	800	1250	1600	2500④	2500④	3150④
Rated operational power AC23									
400/415V	kW	132	220	400	400	400	400	400	400
690V	kW	240	355	800	—	—	—	—	—
<b>Physical characteristics</b>									
Weight ③ 3 pole	lb	2.9	5.7	11.4	35.9	38.55	127.7	127.7	127.7
Dimension 3 pole									
H in		6.69	8.66	10	19.09	19.09	25.04	25.04	25.04
W in		6.67	8.7	10.64	14.29	14.29	18.43	18.43	18.43
D in		3.30	3.35	5.56	4.92	4.92	10.67	10.67	10.67
<b>Accessories</b>									
Terminal lug kit		OZXA-200	OZXA-400	OZXA-800	OZXA-30	OZXA-28	OZXA-28	OZXA-28/2	OZXA-28/2
Terminal shroud		•	•	•	•	•	—	—	—
Auxiliary contact		•	•	•	•	•	•	•	•
Shaft/handle diameter		6mm .24" x .24"	12mm .47" x .47"	12mm .47" x .47"	12mm .47" x .47"	12mm .47" x .47"	12mm .47" x .47"	12mm .47" x .47"	12mm .47" x .47"
Handle UL/NEMA type									
Type 1, 3R, 12		•	•	•	•	•	•	•	•
Type 1, 3R, 4, 4X, 12		•	•	•	•	•	•	•	•
Handle type									
Selector		—	—	—	—	—	—	—	—
Pistol		•	•	•	•	•	•	•	•
Recommended pistol handle length		65 - 80mm	125 - 175mm	125 - 175mm	125 - 175mm	125 - 175mm	125 - 175mm	125 - 175mm	125 - 175mm
Maximum recommended shaft length		290mm	595mm	595mm	595mm	595mm	595mm	595mm	595mm
Conversion kits									
6 pole		•	•	•	•	•	—	—	—
Transfer		•	•	•	•	•	—	—	—
Bypass		•	•	•	•	•	—	—	—
Mechanical interlock		•	•	•	•	•	•	•	•
Electrical interlock		•	•	•	•	•	•	•	•

S = Standard feature  
• = Available  
— = Not available

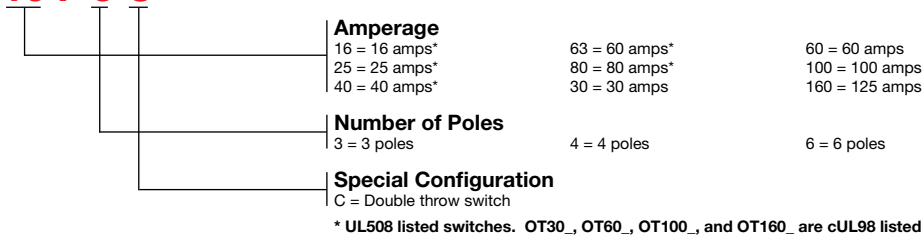
① UL listed switches are also CSA approved.  
② For complete technical information please see page 18.38 – 18.70.  
③ Switch only  
④ IEC 947-3 Utilization Category B, Infrequent operation

## Selection information

### Standard part number designation ①

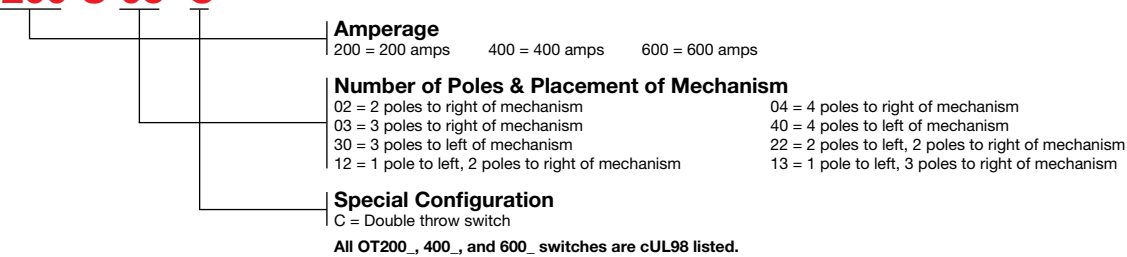
#### Non-Fusible OT Switches (16 to 125A)

#### OT 16 F 3 C



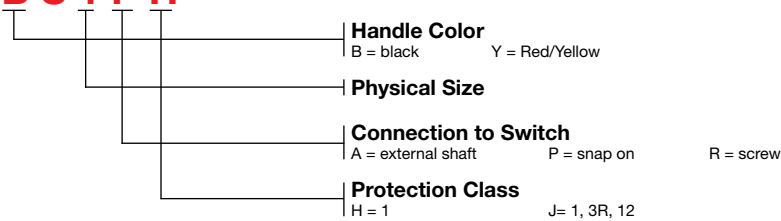
#### Non-Fusible OT Switches (200A and above)

#### OT 200 U 03 C



#### Selector Handles

#### OHB S 1 P H



#### Pistol Handles

#### OHB 65 J 6 E011



① Part designation keys are provided for reference only. Not all variations or configurations are available.

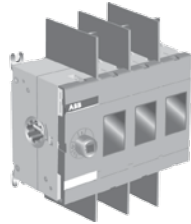
## Base & DIN rail mounted ① 16A - 3150A

**Disconnect  
switches  
Non-fusible**

For a complete assembly,  
please select one of each:

- 1 switch (pg. 18.5)
- 1 handle (pg. 18.6)
- 1 shaft (pg. 18.7)
- 1 terminal lug kit (pg. 18.9)

(Lug kits only necessary on switches 200A and above)



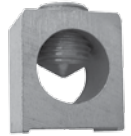
OT200U03



OXP6X210



OHB80J6



OZXA-200

UL only	UL general purpose amp rating	IEC AC21 amp rating	2 Pole		3 Pole		4 Pole ②		6 Pole ③		
			Catalog number	List price	Catalog number	List price	Catalog number	List price	Catalog number	List price	
UL 508	20	16	—	—	OT16F3	\$ 66	—	—	OT16F6	\$ 192	
	30	25	—	—	OT25F3	72	—	—	OT25F6	204	
	40	40	—	—	OT40F3	76	—	—	OT40F6	212	
	60	63	—	—	OT63F3	100	—	—	OT63F6	260	
	80	80	—	—	OT80F3	120	—	—	OT80F6	300	
UL 98	30	40	—	—	OT30F3	150	—	—	OT30F6	360	
	60	63	—	—	OT60F3	175	—	—	OT60F6	410	
	100	115	—	—	OT100F3	200	—	—	OT100F6	460	
	200	-;250	OT200U02	\$ 560	OT200U03	620	OT200U04	\$ 780	—	—	—
					OT200U30	620	OT200U40	780	—	—	—
					OT200U12	620	OT200U22	780	—	—	—
	400	630	OT400U02	1,280	OT400U03	1,420	OT400U04	1,800	—	—	—
					OT400U30	1,420	OT400U40	1,800	—	—	—
					OT400U12	1,420	OT400U22	1,800	—	—	—
	600	800	OT600U02	2,000	OT600U03	2,200	OT600U04	2,800	—	—	—
					OT600U30	2,200	OT600U40	2,800	—	—	—
					OT600U12	2,200	OT600U22	2,800	—	—	—
	800	1250	OETL-NF800A2SW	2,600	OETL-NF800ASW	4,200	OETL-NF800A4SW	5,200	—	—	
	1200	1600	OETL-NF12002SW	6,200	OETL-NF1200SW	6,800	OETL-NF12004SW	8,600	—	—	
	1600	2500 ④	OETL-NF16002SW	14,800	OETL-NF1600SW	16,400	OETL-NF16004SW	20,500	—	—	
2000	2500 ④	OETL-NF20002SW	15,500	OETL-NF2000SW	17,200	OETL-NF20004SW	21,500	—	—		
-	3150 ④	OETL-NF31502SW	17,000	OETL-NF3150SW	18,900	OETL-NF31504SW	23,600	—	—		

### Bulk packed 3 Pole, 600V Switches

UL only	UL general purpose amp rating	IEC AC21 amp rating	Bulk pack Quantity	Catalog number	List price
UL508	20	16	50	OT16F3/B	<b>Consult factory</b>
	30	25	50	OT25F3/B	
	40	40	50	OT40F3/B	
	60	63	50	OT63F3/B	
	80	80	50	OT80F3/B	
UL98	30	40	25	OT30F3/B	<b>Consult factory</b>
	60	63	25	OT60F3/B	
	100	115	25	OT100F3/B	

① Above 125A, base mount with screws only.

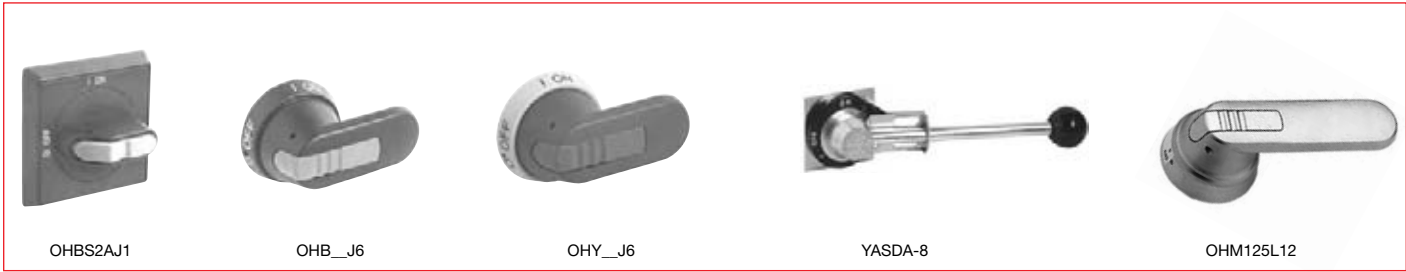
② A snap on fourth pole may be added on 16-125A switches. Reference pg. 18.9.

③ For a 6 or 8 pole switch 200 amp and above, a conversion mechanism accessory kit can be used with two 3 or 4 pole switches. Reference pg. 18.10.

④ Vertical busbar provided as standard on OETL-NF1600-OETL-NF3150 switches. For alternate back or edgewise mounting busbar, reference pg. 18.10.



## Standard handles & shafts ① ②



### Recommended handles & shafts

Switch	Shaft diameter	Recommended standard pistol handle length	Maximum recommended shaft length
OT16 - 100	6x6 mm - .24 x .24"	45 - 65 mm	290 mm
OT160 - 200	6x6 mm - .24 x .24"	65 - 80 mm	290 mm
OT400 - 600	12x12 mm - .47 x .47"	125 - 175 mm	595 mm
OETL-NF800 - 3150	12x12 mm - .47 x .47"	125 - 175 mm	595 mm

### Selector handles — for use with .24 x .24" (6mm) OXS6X shafts

UL/NEMA Type	IEC type	Color	Marking	Defeatable	Padlockable	Weight (lbs)	Catalog number	List price
1	IP54	Black	O/I & Off/On	—	—	0.09	OHBS1AH1 ③	\$ 22
					Yes	0.12	OHBS3AH1 ③	24
1, 3R, 12	IP65	Black	O/I & Off/On	—	Yes	0.16	OHBS2AJ1	28
				Yes	Yes	0.16	OHBS2AJ	30

### Pistol handles — for use with .24 x .24" (6mm) OXP6X shafts

UL/NEMA Type	IEC type	Color	Marking	Length in/mm	Defeatable	Padlockable	Weight (lbs)	Catalog number	List price
1, 3R, 12	IP65	Black	O/I & Off/On	2.6/65	Yes	Yes	0.29	OHB65J6	\$ 80
				3.1/80	Yes	Yes	0.30	OHB80J6	90
1, 3R, 12, 4, 4X	IP66	Black	O/I & Off/On	2.6/65	Yes	Yes	0.29	OHB65L6	120
				3.1/80	Yes	Yes	0.30	OHB80L6	130
1, 3R, 12, 4, 4X	IP66	316L Stainless steel	O/I & Off/On	2.6/65	Yes	Yes	1.60	OHM65L6	750
1, 3R, 12	IP65	Black w/ 316 stainless hasp	O/I & Off/On	2.6/65	Yes	Yes	0.31	OHB65J6EH	250
1, 3R, 12, 4, 4X	IP66	Black w/ 316 stainless hasp	O/I & Off/On	2.6/65	Yes	Yes	0.31	OHB65L6EH	290

### Pistol handles — for use with .47 x .47" (12mm) OXP12X shafts

UL/NEMA Type	IEC type	Color	Marking	Length in/mm	Defeatable	Padlockable	Weight (lbs)	Catalog number	List price
1, 3R, 12	IP65	Black	O/I & Off/On	4.9/125	Yes	Yes	0.39	OHB125J12	\$ 90
				5.7/145	Yes	Yes	0.39	OHB145J12	90
				6.9/175	Yes	Yes	0.41	OHB175J12	100
1, 3R, 12, 4, 4X	IP66	Black	O/I & Off/On	4.9/125	Yes	Yes	0.39	OHB125L12	130
				5.7/145	Yes	Yes	0.39	OHB145L12	130
				6.9/175	Yes	Yes	0.41	OHB175L12	140
1, 3R, 12, 4, 4X	IP66	Metal	Off/On	8.7/220	--	Yes	1.50	YASDA-8	190
1, 3R, 12, 4, 4X	IP66	316L Stainless steel	O/I & Off/On	4.9/125	Yes	Yes	1.70	OHM125L12	900
				6.9/175	Yes	Yes	1.80	OHM175L12	1,100
				2.75	Yes	Yes	2.10	OHM275L12	1,200
1, 3R, 12	IP65	Black w/ 316 stainless hasp	O/I & Off/On	4.9/125	Yes	Yes	0.44	OHB125J12EH	280
				6.9/175	Yes	Yes	0.46	OHB175J12EH	330
1, 3R, 12, 4, 4X	IP66	Black w/ 316 stainless hasp	O/I & Off/On	4.9/125	Yes	Yes	0.44	OHB125L12EH	330
				6.9/175	Yes	Yes	0.46	OHB175L12EH	390

### Direct mount handle

Description	For use on	Color	Padlockable	Weight	Catalog number	List price
Mounts directly on switch. No shaft necessary	OT16-40	Black	Yes	0.05	OHBS12 ④	\$ 17
	OT63-80					
	OT30-100					
Mounts directly on switch. No shaft necessary	OT160	Black	Yes	0.05	OHB13	22
Up to 3 padlocks in OFF-position, includes shaft and mechanism	OT200	Black	Yes	0.22	OTV250EK	105
	OT400	Black	Yes	0.44	OTV400EK	130
	OT600	Black	Yes	0.66	OTV800EK	155
Mounts on shaft	OT400-OETL-NF800	Metal	No	0.78	YASDA-33	155
	OETL-NF1200-OETL-NF3150	Metal	No	0.80	YASDA-34	180

① Red/Yellow handles are available by substituting the OHB prefix with OHY.  
 ② All handles are plastic unless otherwise noted as metal or stainless steel.  
 ③ Not recommended for use on OT30-100.  
 ④ Suitable for 3 & 4 pole versions only. Not for use with 6 or 8 pole or double throw configurations.



# Standard handles & shafts

Disconnect  
switches  
Non-fusible



## Shafts for use with selector handles – .24 x .24" (6x6 mm)

Shaft length (in/mm)	Maximum Mounting Depth (inches) ①					Weight	Catalog number	List price
	OT16F3, OT25F3, OT40F3		OT63F3, OT80F3		OT30F3, OT60F3, OT100F3			
	OH_1_ & OH_3_	OH_2_	OH_1_ & OH_3_	OH_2_	OH_2_			
3.3/85	5.0	4.3	5.6	5.0	5.0	0.07	OXS6X85	<b>\$ 4</b>
4.1/105	5.8	5.1	6.4	5.8	5.8	0.07	OXS6X105	<b>4</b>
4.7/120	6.4	5.8	7.0	6.4	6.4	0.08	OXS6X120	<b>4</b>
5.1/130	6.7	6.1	7.4	6.8	6.8	0.08	OXS6X130	<b>6</b>
7.1/180	8.7	8.1	9.4	8.7	8.7	0.11	OXS6X180	<b>6</b>
9.8/250	11.5	10.8	12.1	11.5	9.9	0.13	OXS6X250	<b>12</b>
13/330	14.6	14.0	15.3	14.7	14.6	0.17	OXS6X330	<b>20</b>

## Shafts for use with pistol handles – .24 x .24" (6x6 mm)

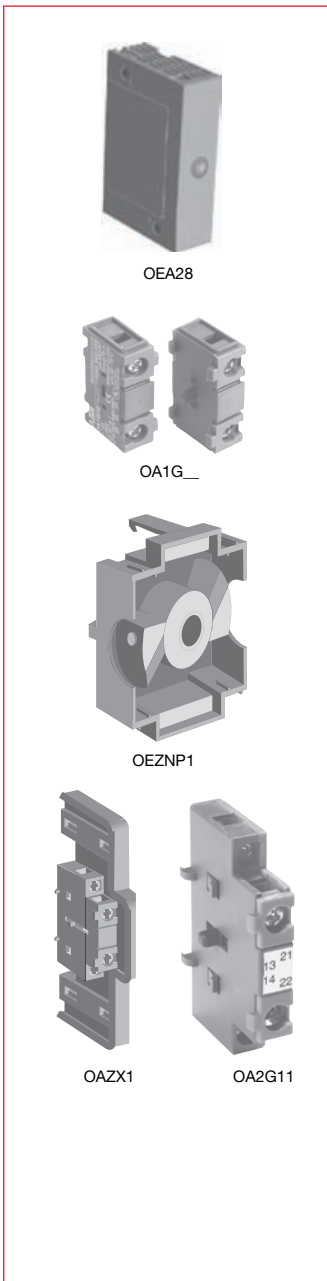
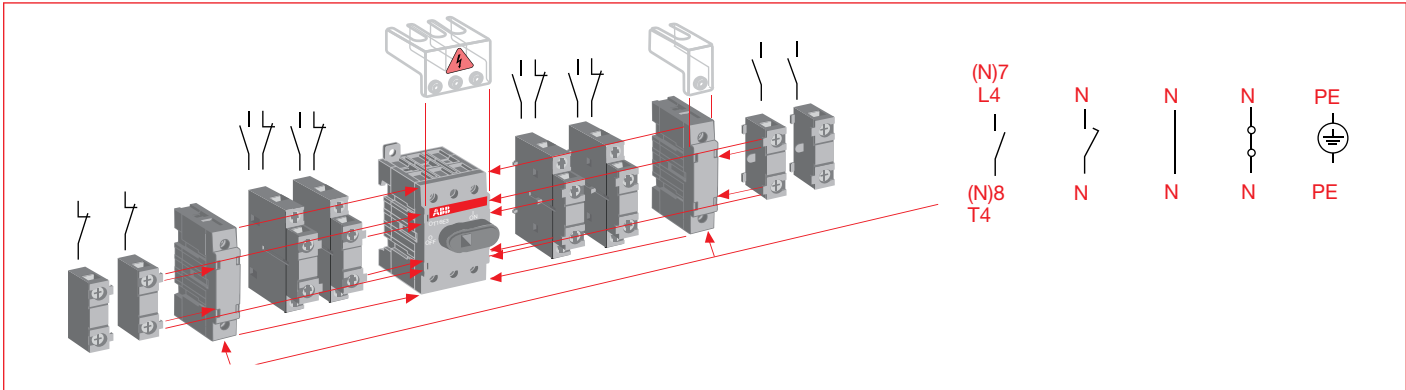
Shaft length (in/mm)	Maximum Mounting Depth (inches)					Weight	Catalog number	List price
	OT16F3 - OT40F3	OT63F3-OT80F3	OT30F3-OT100F3	OT160E3	OT200			
5.2/130	5.9	6.4	6.7	6.0	6.5	0.08	OSP6X130	<b>\$ 12</b>
5.9/150	6.7	7.4	7.0	6.7	7.2	0.09	OSP6X150	<b>12</b>
8.3/210	9.1	9.7	9.8	9.1	9.6	0.13	OSP6X210	<b>16</b>
11.4/290	12.2	12.8	12.9	12.2	12.7	0.18	OSP6X290	<b>20</b>
14.2/360	14.9	13.8	15.6	15.0	15.5	0.23	OSP6X360	<b>24</b>
16.9/430	17.6	18.3	18.3	17.8	18.2	0.27	OSP6X430	<b>28</b>

## Shafts for use with pistol handles – .47 x .47" (12x12 mm)

Shaft length (in/mm)	Maximum Mounting Depth (inches)				Weight	Catalog number	List price
	OT400	OT600	OETL-NF800 – OETL-NF1200	OETL-NF1600-OETL-NF3150			
11.0/280	13.3	14.6	14.5	—	0.77	OSP12X280	<b>\$ 36</b>
12.8/325	15.0	16.4	16.3	20.9	0.90	OSP12X325	<b>40</b>
15.6/395	20.5	19.1	19.1	23.6	1.10	OSP12X395	<b>44</b>
18.3/465	21.9	21.8	21.9	26.3	1.32	OSP12X465	<b>48</b>
21.1/535	22.8	24.6	24.6	29.1	1.54	OSP12X535	<b>52</b>

① Mounting depth is distance from the outside of the door to the disconnect switch mounting plate. Shaft can be cut to desired length.

## Standard non-fusible accessories Base and DIN rail mounted switches



### Auxiliary contacts — snap-on mounting ①

Description	For Use On	Weight	AC Thermal amp rating	AC rated voltage	Catalog number	List price
1 N.O.	OT16-100, OT200-600	0.07	10	600	OA1G10	\$ 20
1 N.C.	OT16-100	0.07	10	600	OA1G01	20
	OT200-600	0.07	10	600	OA3G01	20
1 N.O. & 1 N.C.	OT16-160	0.07	10	600	OA2G11	40
Mounting Base - required for OA2G11 on OT160	OT160	0.06	-	-	OAZX1	20
Module for auxiliary contacts	OT200-600	0.1	-	-	OEA28	50

### Auxiliary contacts — top mounting

Description	For Use On	Weight	AC Thermal amp rating	AC rated voltage	Catalog number	List price
1 N.O.	OEZNP1	0.07	10	600	OBEA-10	\$ 28
1 N.C.	OT160	0.07	10	600	OBEA-01	28
1 N.O. gold plated ②	OEZNP1 & OT160	0.07	10	600	OBEA-10AU	56
		0.07	10	600	OBEA-01AU	56
Mounting Base - required for OBEA_	OBEA_ contacts used with OT160	0.06	-	-	OEZNP1	20
1 pkg. of 10 blank numbering labels for OBEA- ③	OT160	-	-	-	OBEA-ZX10	32
	OT160	-	-	-	OBEA-ZX01	32

### Auxiliary contacts — front mounting ④

Description	For Use On	Weight	AC Thermal amp rating	AC rated voltage	Catalog number	List price
1 N.O. + 1 N.C.	OETL-NF800 through OETL-NF3150	0.2	10	600	OZXK-1	\$ 100
2 N.O. + 2 N.C.		0.26	10	600	OZXK-2	170
4 N.O. + 4 N.C.		0.4	10	600	OZXK-3	340
2 N.O.	OETL-NF3150	0.18	10	600	OZXK-4	100
4 N.O.		0.25	10	600	OZXK-5	170
8 N.O.		0.4	10	600	OZXK-6	340

### Mounting & installation considerations

OT16-100	OA1G10 (1 N.O.) mounts on right side of switch only OA1G01 (1 N.C.) mounts on left side of switch only OA2G11 (1 N.O. & 1 N.C.) mounts on left of right side of switch Maximum two contacts on each side of switch
OT160	Accepts four contacts maximum Mounting base always required Maximum two side mounted contacts on each side of switch. One mounting base required for each side
OT200-600	Maximum 8 auxiliary contact blocks with the OEA28 module Maximum 4 auxiliary contact blocks mounting under the mechanisms

① UL file #E83510

② Type \_AU for low energy applications. The contacts are gold plated, AC & DC ratings - Maximum: A600 & P600; Minimum: 12V, 1mA; 5V; 2mA

③ Numbering stickers required if several OBEA contacts are used in the same installation.

④ UL File #E5707

# Standard non-fusible accessories

## Base & DIN rail mounted switches

Disconnect  
switches  
Non-fusible



### Additional poles ①

**Power poles** - Only one power pole per switch: mounts on left or right side of switch. (OTPS40FPN1 mounts to left side only.)

Description	For use on	Weight	AC Thermal amp rating	AC rated voltage	Catalog number	List price
 Fourth Pole	OT16-OT40	0.07	40	600	OTPS40FPN1	\$ 36
	OT30-OT60	0.13	60		OTPS60FP	46
	OT63-OT80	0.13	80		OTPS80FP	44
	OT100	0.31	100		OTPS125FP	54
	OT160	0.66	125		OTPS160EP	100
 Late-break/ early-make	OT16-OT40	0.07	40	600	OTPL40FP	36
	OT30-OT60	0.13	60		OTPL60FP	46
	OT63-OT80	0.13	80		OTPL80FP	44
	OT100	0.31	100		OTPL125FP	54
	OT160	0.66	125		OTPL160EP	100

**Terminal poles** - Switch accepts one terminal pole per side: mounts on left or right side of switch.

Description	For use on	Weight	AC Thermal amp rating	AC rated voltage	Catalog number	List price
 Solid neutral	OT16-OT40	0.07	40	600	OTPN40FP	\$ 20
	OT63-OT80	0.13	80		OTPN80FP	36
	OT30-OT100	0.31	100		OTPN125FP	50
	OT160	0.66	125		OTPN160EP	100
 Detachable Neutral	OT16-OT40	0.07	40	600	OTPD40FP	28
	OT30-OT60	0.13	60		OTPD60FP	38
	OT63-OT80	0.13	80		OTPD80FP	36
	OT100	0.31	60		OTPD125FP	50
 Ground Terminal	OT16-OT40	0.07	40	600	OTPE40FP	20
	OT30-OT60	0.13	60		OTPE60FP	38
	OT63-OT80	0.13	80		OTPE80FP	36
	OT100	0.31	100		OTPE125FP	50
	OT160	0.66	125		OTPE160EP	100

### Terminal lugs ②

For Use On	Wire Size	Wire Type	Lugs/Kit	Weight (lbs)	Catalog number	List price
OT200	#4 - 300 kcmil	Cu/Al	6	0.50	OZXA-200	\$ 80
	#4 - 300 kcmil		3	0.25	OZXA-200/3	40
	(6) 14-6 AWG		3	0.25	OZXA-206T	200
OT400	#2 - 600 kcmil	Cu/Al	6	0.50	OZXA-400	190
	#2 - 600 kcmil		3	0.25	OZXA-400/3P	100
	(2) #4 - 300 kcmil		6	0.50	OZXA-402	210
	(6) #14 - 6 AWG		3	0.50	OZXA-406	270
OT600	(2) #2 - 600 kcmil	Cu/Al	6	0.50	OZXA-800	360
	(2) #2 - 600 kcmil		3	0.50	OZXA-800/3	180
OETL-NF800A	(2) #2 - 600 kcmil	Cu/Al	6	6.90	OZXA-30	740
	(2) #2 - 600 cmil		3	3.45	OZXA-30/3P	370
	(8) 2/0 + (2) #2 - 600 kcmil ③		3	6.90	OZXA-32	600
OETL-NF1200-1600	(4) #2 - 600 kcmil	Cu/Al	6	10.44	OZXA-28	1,000
	(4) #2 - 600 kcmil		3	5.22	OZXA-28/3	500
	(8) 2/0 + (2) #2 - 600 kcmil ③		3	10.44	OZXA-32	600
OETL-NF2000-3150	(8) #2 - 600 kcmil	Cu/Al	12	20.88	OZXA-28/2	2,000

### Terminal shrouds

Description	For Use On	Weight	Catalog number	List price
3 pole includes one shroud for line or load side	OT16-OT40	0.02	OTS40T3	\$ 8
	OT63-OT80	0.02	OTS80T3	20
	OT30-OT100	0.02	OTS125T3	20
4th pole includes one shroud for line or load side	OTPS40FPN1	0.03	OTS40T1	4
	OTPS80FP	0.03	OTS80T1	6
	OTPS125FP	0.03	OTS125T1	10
3 pole long type shrouds	OT200	0.2	OTS250G1L/3	50
3 pole short type shrouds		0.13	OTS250G1S/3	50
4 pole long type shrouds		0.26	OTS250G1L/4	65
4 pole short type shrouds		3.18	OTS250G1S/4	65
3 pole includes one shroud for line or load side ④		OT400	0.33	OTS403
	OT600	0.33	OTS603	190
3 pole includes one shroud for line or load side ④	OETL-NF800A	0.88	OETL-ZX800A	180
	OETL-NF1200	1.2	OETL-ZX119	220

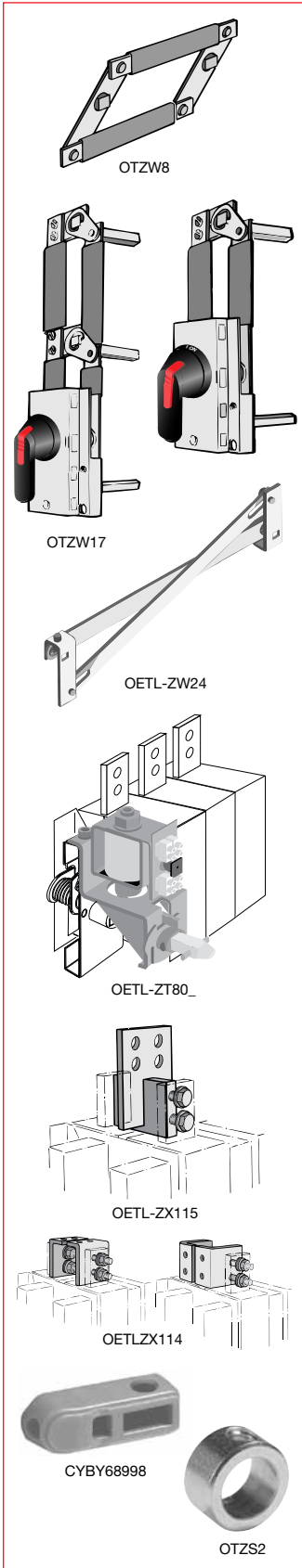
① Switches accept only one power pole or one terminal pole per side. Only one power pole per switch.

② Lugs are integral to the switch for 16-125A. No separate lug kit accessory is required.

③ A load side distribution lug eliminates the need to purchase, install and wire a separate distribution block.

④ For 4 pole shrouds, please consult factory.

## Standard non-fusible accessories Base and DIN rail mounted switches



### Conversion Mechanisms

Mechanism Type	For use on	Weight	UL/Nema Type	Catalog number	List price
6 or 8 pole mechanisms	OT16-100	0.33	-	OTZW8	<b>\$ 60</b>
	OT160	1.52	-	OETL-ZK19	<b>40</b>
	OT200	1.52	-	OESA-ZW2	<b>220</b>
	OT400 – OETL-NF1200	2.42	-	OETL-ZW9	<b>260</b>
Double throw mechanisms	OT16 - 160	2.20	1, 3R, 12 1, 3R, 12, 4, 4X	OESA-ZW1 OESA-ZW1X	<b>300</b> <b>340</b>
	OT200	2.20	1, 3R, 12 1, 3R, 12, 4, 4X	OTZW25 OTZW25X	<b>790</b> <b>840</b>
	OT400 – OETL-NF1200	10.10	1, 3R, 12, 4, 4X	OETL-ZW12	<b>560</b>
Bypass mechanisms	OT16-OT100	1.54	1, 3R, 12 1, 3R, 12, 4, 4X	OTZW17 OTZW17X	<b>340</b> <b>380</b>
	OT200	7.28	1, 3R, 12	OTZW26	<b>950</b>
	OT400 – OETL-NF1200	8.81	1, 3R, 12, 4, 4X	OETL-ZW13	<b>560</b>
Mechanical interlock mechanisms	OT16-OT100	0.33	-	OTZW24	<b>80</b>
	OT160-200	0.55	-	OTZW10	<b>100</b>
	OT400 – OETL-NF800	1.26	-	OETL-ZW3	<b>140</b>
	OETL-NF1200 – OETL-NF3150	2.64	-	OETL-ZW15	<b>160</b>

### Miscellaneous Accessories & Replacement Parts

#### Shaft Accessories

Accessory Type	Description	For Use On	Weight	Catalog number	List price
Shaft Adapter	Adapts one end of a 6mm shaft to 12mm (use with shaft extension coupler)	6mm shafts	0.20	OETL-ZK19	<b>\$ 40</b>
Shaft Extension Coupler	Joins two shafts together for applications where extended length is required	6mm shafts	0.26	OESA-ZX167	<b>56</b>
		12mm shafts	0.26	OETL-ZX95	<b>100</b>
Shaft Guide	Fits all pistol grip handles, mounts on the inside of the enclosure door with provided hardware	pistol handles	-	OHZX10	<b>12</b>

#### Busbar Connections

Accessory Type	Description	For Use On	Weight	Catalog number	List price
Busbar Connections	Vertical, back or edgewise mounting ①	OETL-NF1600 – 3150	46.2	OETL-ZX115	<b>\$ 3,916</b>
			31.0	OETL-ZX114	<b>2,820</b>

#### Locking Accessories

Accessory Type	Description	For Use On	Weight	Catalog number	List price
Cam Attachment	For Kirk Key, Castell, Low & Fletcher and Ronis interlock. For adapting to the interlock system. The interlock is not included.	12mm shafts	0.29	OETL-ZW5	<b>\$ 190</b>
Electrical Interlock	Closed circuit principle for interlocking the switch movement. When the coil circuit is dead, A-types cannot be operated to O-position and L-types cannot be operated to ON- or OFF-position. Coil voltages 110VAC, 220 VAC, 24VDC, 48VDC, 60VDC, 110VDC, 220VDC, P - 15W U = 0.7 - 1.1 Un (U = coil voltage, Un = nominal voltage)	OETL-NF800 – 3150A	2.42	OETL-ZT80AΔ OETL-ZT80LΔ	<b>1280</b> <b>1220</b>

Δ = Coil Voltage

#### Replacement Parts

Accessory Type	Description	For Use On	Catalog number	List price
Metal collar	Replaces original black knob for locking shaft in place	OT16-200	OTZS2	<b>\$ 13</b>
Set Screw	Set screw for use with knob or collar	OT16-100	FLSWM5X8AX	<b>2</b>
		OT200	FLSWM5X6X	<b>2</b>

① Vertical busbar is provided as standard on OETL-NF1600 through OETL-NF3150 switches.

## Door mounted ① 16 - 100A

Disconnect  
switches  
Non-fusible

For a complete assembly,  
please select one of each: ②

1 switch (pg. 18.11)

1 handle (pg. 18.11)



OT63FT3



OHBS2RJ

UL only	UL general purpose amp rating	IEC AC21 amp rating	3 Pole ③		Bulk packs		
			Catalog number	List price	Bulk pack quantity	Bulk pack Catalog number	List price
UL508	20	16	OT16FT3	<b>\$ 70</b>	50	OT16FT3/B	<b>Consult factory</b>
	30	25	OT25FT3	<b>76</b>	50	OT25FT3/B	
	40	40	OT40FT3	<b>80</b>	50	OT40FT3/B	
	60	63	OT63FT3	<b>104</b>	50	OT63FT3/B	
	80	80	OT80FT3	<b>124</b>	50	OT80FT3/B	
UL98	30	40	OT30FT3	<b>154</b>	25	OT30FT3/B	
	60	63	OT60FT3	<b>179</b>	25	OT60FT3/B	
	100	115	OT100FT3	<b>204</b>	25	OT100FT3/B	

### Selector handles for door mounted switches

UL/NEMA Type	IEC Type	Color	Defeatable	Padlockable	Weight (lbs)	Catalog number	List price
<b>Snap-on Mounting - for use on OT16FT3 - OT40FT3</b>							
1	IP54	Black	—	—	0.10	OHBS1PH	<b>\$ 22</b>
1, 3R, 12	IP65	Black	—	Yes	0.13	OHBS3PH	<b>24</b>
1, 3R, 12	IP65	Black	—	Yes	0.17	OHBS2PJ	<b>28</b>
<b>Screw mounting - for use on OT16FT3 - OT100FT3. For OT30, OT60, and OT100 use OH_ _2_ only</b>							
1	1P54	Black	—	—	0.11	OHBS1RH	<b>\$ 22</b>
1, 3R, 12	IP65	Black	—	Yes	0.14	OHBS3RH	<b>24</b>
1, 3R, 12	IP65	Black	—	Yes	0.18	OHBS2RJ	<b>28</b>

### Pistol grip handle adapter ④

Description	For use on	Weight (lbs)	Catalog number	List price
Adapter piece for pistol grip handle	OT30-100	0.18	OHZX6	<b>\$ 20</b>

Includes hardware and shaft for pistol grip handles. Pistol handle must be ordered separately (see pg. 18.6)

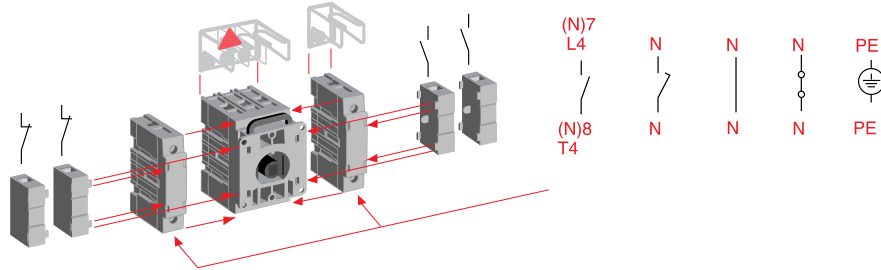
① Door mounted switches do not provide door interlock

② Door mounted switches do not require shafts

③ A snap on fourth pole may be added - please reference accessories pg. 18.8

④ The environmental rating of the pistol handle derates to NEMA 1 when used in conjunction with the OHZX6 adapter.

## Standard non-fusible accessories Door mounted switches



### Auxiliary contacts ① — snap-on mounting

Description	For use on:	Weight (lbs)	AC thermal amp rating	AC rated voltage	Catalog number	List price
1 N.O. mounts on right hand side of switch	OT16 – OT100	0.07	10	600	OA1G10	\$ 20
1 N.C. mounts on left hand side of switch		0.07	10	600	OA1G01	20

Max. two contacts on each side of switch.

### Power poles

Switch accepts one terminal pole per side: mounts on left or right side of switch. (OTPS40FDN1 mounts to left side only.)

Description	For use on:	Weight (lbs)	AC thermal amp rating	AC rated voltage	Catalog number	List price
Fourth pole	OT16, OT25, OT40	0.07	40	600	OTPS40FDN1	\$ 36
	OT30-OT60	0.13	60		OTPS60FD	46
	OT63, OT80	0.13	80		OTPS80FD	44
	OT100	0.20	100		OTPS125FD	54
Late-break/early-make	OT16, OT25, OT40	0.07	40	600	OTPL40FD	36
	OT63, OT80	0.13	80		OTPL80FD	44
	OT100	0.20	100		OTPL125FD	54

### Terminal poles

Switch accepts one terminal pole per side: mounts on left or right side of switch

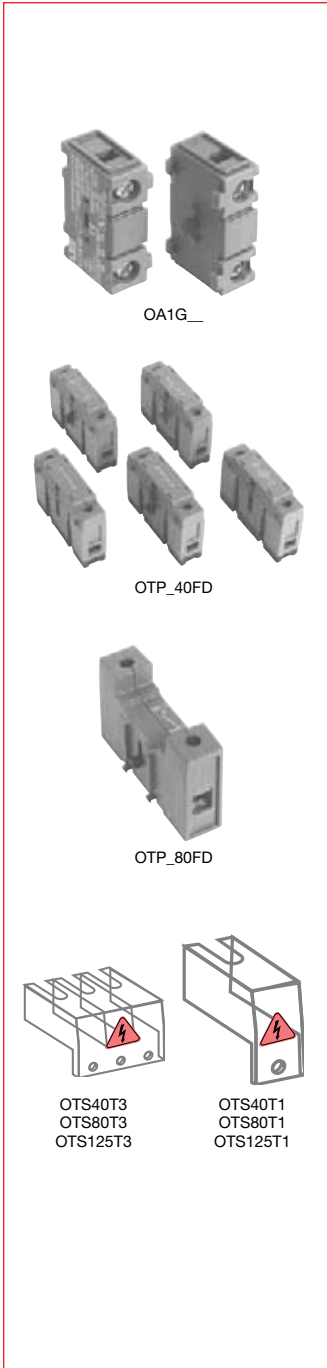
Description	For use on:	Weight (lbs)	AC thermal amp rating	AC rated voltage	Catalog number	List price
Solid neutral	OT16, OT25, OT40	0.07	40	600	OTPN40FD	\$ 20
	OT30-OT60	0.13	60		OTPN60FD	38
	OT63, OT80	0.13	80		OTPN80FD	36
	OT100	0.20	100		OTPN125FD	50
Detachable neutral	OT16, OT25, OT40	0.07	40	600	OTPD40FD	28
	OT30-OT60	0.13	60		OTPD60FD	38
	OT63, OT80	0.13	80		OTPD80FD	36
Ground terminal	OT16, OT25, OT40	0.07	40	600	OTPE40FD	20
	OT30-OT60	0.13	60		OTPE60FD	38
	OT63, OT80	0.13	80		OTPE80FD	36
	OT100	0.20	100		OTPE125FD	50

### Terminal shrouds — snap-on mounting for line or load side ②

Description	For use on:	Weight (lbs)	Catalog number	List price
3 pole includes one shroud for line or load side	OT16, OT25, OT40	0.02	OTS40T3	\$ 8
	OT63, OT80	0.02	OTS80T3	20
	OT30, OT60, OT100	0.02	OTS125T3	20
4th pole includes one shroud for line or load side	OTP_40FD	0.02	OTS40T1	4
	OTP_80FD	0.02	OTS80T1	6
	OTP_125FD	0.02	OTS125T1	10

① UL File # E83510

② ABB switches are IP20 touchsafe as standard. Shrouds provide an extra degree of protection.





## Special configurations

### Shaft operated flange

### 30A - 100A

Disconnect  
switches  
Non-fusible



Switch



Handle



Shaft



OT100F3



DSFHN-HS12



DSFHS-12

#### 30A -100A Flange operated – non fusible switches (Shaft) - 3 pole

UL general purpose amp rating	Catalog number	List price
30	OT30F3-F	<b>\$ 500</b>
60	OT60F3-F	<b>590</b>
100	OT100F3-F	<b>690</b>

#### Flange handles – for use with OT30\_, OT60\_, OT100

UL/ NEMA type	Marking	Defeatable	Padlockable	Catalog number	List price
1, 3R, 12 4, 4X	OFF/ON	Yes	Yes	DSFHN-HS12	<b>\$ 156</b>
	OFF/ON	Yes	Yes	DSFHN-HS4	<b>240</b>

#### Shafts

For use with:	Maximum enclosure depth (inches)	Catalog number	List price
OT30_ - OT100_	16	OTFS-16	<b>\$ 25</b>
OT30_ - OT100_	24	OTFS-24	<b>30</b>

#### Door hardware NEMA 12

Item	Catalog number	List price
Safety door latch, 2 point, door less than 40" high	KDH2R	<b>\$ 200</b>
Safety door latch, 2 point, door greater than 40" high	KDH3R	<b>225</b>

#### Flange operated fusible and non-fusible disconnect switches

ABB's solution for complying with the new NFPA79 requirements is Flange Operated Fusible and Non-fusible Disconnect Switches.

New 2002 NFPA 79 changes requires main disconnecting means to be operable without the use of accessory tools or devices, independent of door position. This code also includes an interlocking provision to prevent the closing of disconnects while the enclosure door is open, unless an interlock is operated by a deliberate action.

The flange operated disconnect switches are available as ridged shaft or flexible cable operated versions. The cable operated version allows you to install the disconnect switch anywhere in the enclosure depending on the length of the cable. Cables are available in lengths up to 84 inches.

The designs are cost-effective NFPA 79 solutions offering quick and easy installation.



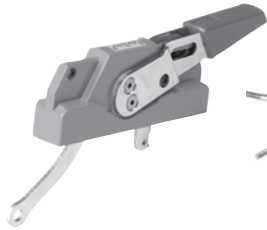
## Special configurations

### Cable operated flange

### 30A - 200A



Switch



Handle



Cable



Lug kit (as required)



Operating mechanism



OT100F3



OHF1C12



OXC1L36-  
OXC1L84

#### Non-fusible

UL general purpose amp rating	Catalog number	List price
30	OT30F3	\$ 150
60	OT60F3	175
100	OT100F3	200
125	OT160E3	420
200	OT200U30	620

#### Flange handles – UL98; UL file #E101914

For use with:	Environmental rating	Catalog number	List price
OT30 - 100F3, OT160E3, OT200U30	NEMA 1, 3R, 12 NEMA 4, 4X	OHF1C12 OHF1C4	\$ 213 243

#### Flexible cables

For use with:	Cable length (inches)	Catalog number	List price
OT30 - 100F3, OT160E3, OT200U30	36	OXC1L36	\$ 114
	48	OXC1L48	146
	60	OXC1L60	160
	72	OXC1L72	175
	84	OXC1L84	204

#### Operating mechanisms

For use with:	Catalog number	List price
OT30 - 100F3	MKCS1	\$ 135
OT160E3	MKCS3	162
OT200U30	MKCS4	171

#### Terminal lug kits

For use with	Wire size	Wire type	Description	Lugs per kit	Catalog number	List price
OT200U30	#4 - 300 kcmil	Cu/Al	—	6	OZXA-200	\$ 80
	#4 - 300 kcmil	Cu/Al	—	3	OZXA-200/3	40
	(6) #4-6 AWG	Cu/Al	Distribution lug	3	OZXA-206S	200

#### Door hardware – NEMA 12

Item	Catalog number	List price
Safety door latch, 2 point, door less than 40" high	KDH2R	\$ 200
Safety door latch, 3 point, door greater than 40" high	KDH3R	200

# Special configurations

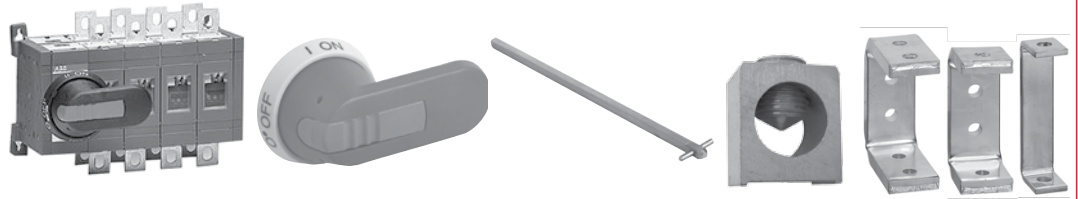
## Double throw switches

### 16A - 600A

Disconnect  
switches  
Non-fusible

For a complete assembly,  
please select one of each:

- 1 switch (pg. 18.15)
- 1 handle (pg. 18.16)
- 1 shaft (pg. 18.16)
- 1 terminal lug kit (pg. 18.15)
- 1 bridging bar (pg. 18.15)



(Lug kits only necessary on switches 200A and above)

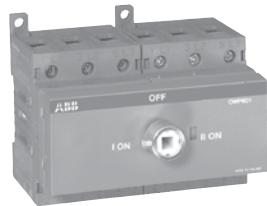
OT200U04C

OHY\_J6E011

OXS6X\_

Lug kit (as required)

Bridging bars



OT63F3C



OHBS2AJE011



OHB\_J6E011



OHY\_J6E011



OXS6X\_

UL only	UL general purpose amp rating	IEC AC21 amp rating	3 Pole		4 Pole ①	
			Catalog number	List price	Catalog number	List price
UL508	20	16	OT16F3C	\$ 258	—	—
	30	25	OT25F3C	270	—	—
	40	40	OT40F3C	288	—	—
	60	63	OT63F3C	328	—	—
	80	80	OT80F3C	368	—	—
UL98	30	40	OT30F3C	428	—	—
	60	63	OT60F3C	478	—	—
	100	115	OT100F3C	514	—	—
	200	250	OT200U03C	1,850	OT200U04C	\$ 2,100
			OT200U30C	1,850	OT200U40C	2,100
	400	630	OT400U03C	3,250	OT400U04C	3,550
			OT400U30C	3,250	OT400U40C	3,550
	600	800	OT600U03C	4,800	OT600U04C	5,500
			OT600U30C	4,800	OT600U40C	5,500

### Bridging busbar kits — required for OT200\_C through OT600\_C ②

Description	For Use On:	Catalog number	List price
3 Pole Kit	OT200_C	OTZC13	\$ 80
	OT400_C	OTZC23	160
	OT600_C	OTZC33	240
4 Pole kit	OT200_C	OTZC14	110
	OT400_C	OTZC24	220
	OT600_C	OTZC34	330

Bridging bars are required on 200-600A double throw switches to operate as standard double throw switches. Otherwise, they will operate as two mechanically interlocked switches.

① A snap on power pole may be added to build a 4 pole 16-100A double throw switch. Reference pg. 18.9.  
② For 16-100A double throw switches, jumpers are not provided.

**Disconnect  
switches**  
Non-fusible

## Special configurations

### Handles & shafts for double throw switches

#### Recommended handles & shafts

Switch	Shaft diameter	Recommended standard pistol handle length	Maximum recommended shaft length
OT16 - 100	6x6 mm - .24 x .24"	45 - 65 mm	290 mm
OT200	6x6 mm - .24 x .24"	65 - 80 mm	290 mm
OT400 - 600	12x12 mm - .47 x .47"	125 - 175 mm	595 mm

#### Shafts — for use with selector handles .24 x .24" (6x6mm)

Shaft length (in/mm)	Mounting depth (inches)					Weight (Lbs.)	Catalog number	List price
	OT16F3, OT25F3, OT40F3		OT63F3, OT80F3		OT30F3, OT60F3, OT100F3			
	OH_1_ & OH_3_	OH_2_	OH_1_ & OH_3_	OH_2_	OH_2_			
3.3 / 85	5.0	4.3	5.6	5.0	5.0	0.07	OXS6X85	<b>\$ 4</b>
4.1 / 105	5.8	5.1	6.4	5.8	5.8	0.07	OXS6X105	<b>4</b>
4.7 / 120	6.4	5.8	7.0	6.4	6.4	0.08	OXS6X120	<b>4</b>
5.1 / 130	6.7	6.1	7.4	6.8	6.8	0.08	OXS6X130	<b>6</b>
7.1 / 180	8.7	8.1	9.4	8.7	8.7	0.11	OXS6X180	<b>6</b>
9.8 / 250	11.5	10.8	12.1	11.5	11.5	0.13	OXS6X250	<b>12</b>
13 / 330	14.6	14.0	15.3	14.7	14.6	0.17	OXS6X330	<b>20</b>

#### Shafts — for use with pistol handles .24 x .24" (6x6mm)

Shaft length (in/mm)	Maximum mounting depth (inches)					Weight (Lbs.)	Catalog number	List price
	OT16F3 - OT40F3	OT63F3-OT80F3	OT30F3-OT100F3	OT160E3	OT200			
5.2 / 130	5.9	6.4	6.7	6.0	6.5	0.08	OXP6X130	<b>\$ 12</b>
5.9 / 150	6.7	7.4	7.0	6.7	7.2	0.09	OXP6X150	<b>12</b>
8.3 / 210	9.1	9.7	9.8	9.1	9.6	0.13	OXP6X210	<b>16</b>
11.4 / 290	12.2	12.8	12.9	12.2	12.7	0.18	OXP6X290	<b>20</b>
14.2 / 360	14.9	13.8	15.6	15.0	15.5	0.23	OXP6X360	<b>24</b>
16.9 / 430	17.6	18.3	18.3	17.8	18.2	0.27	OXP6X430	<b>28</b>

#### Shafts — for use with pistol handles .47 x .47" (12x12 mm)

Shaft length (in/mm)	Maximum Mounting Depth (inches)				Weight (Lbs.)	Catalog number	List price
	OT400	OT600	OETL-NF800 — OETL-NF3150	OETL-NF1600-OETL-NF3150			
11.0 / 280	13.3	14.6	14.5	—	0.77	OXP12X280	<b>\$ 36</b>
12.8 / 325	15.0	16.4	16.3	20.9	0.90	OXP12X325	<b>40</b>
15.6 / 395	20.5	19.1	19.1	23.6	1.10	OXP12X395	<b>44</b>
18.3 / 465	20.9	21.8	21.9	26.3	1.32	OXP12X465	<b>48</b>
21.1 / 535	22.8	24.6	24.6	29.1	1.54	OXP12X535	<b>52</b>

#### 3 Position selector handles — for use with .24 x .24" (6x6mm) shafts ①

UL/NEMA Type	IEC Type	Markings	Color	Defeatable	Padlockable	Weight (Lbs.)	Catalog number	List price
1, 3R, 12	IP65	I/O/II, ON/OFF/ON	Black	Yes	Yes	0.16	OHBS2AJE011	<b>\$ 40</b>

#### 3 Position pistol handles — for use with .24 x .24" (6x6mm) shafts ①

UL/NEMA Type	IEC Type	Markings	Color	Defeatable	Padlockable	Weight (Lbs.)	Catalog number	List price
1, 3R, 12	IP65		Black	Yes	Yes	0.29	OHB65J6E011	<b>\$ 90</b>
1, 3R, 12, 4, 4X	IP66	I/O/II, ON/OFF/ON	Black	Yes	Yes	0.29	OHB65L6E011	<b>130</b>
1, 3R, 12	IP65		Black	Yes	Yes	0.3	OHB80J6E011	<b>120</b>
1, 3R, 12, 4, 4X	IP66		Black	Yes	Yes	0.3	OHB80L6E011	<b>155</b>

#### 3 Position pistol handles — for use with .47 x .47" (12x12mm) shafts ①

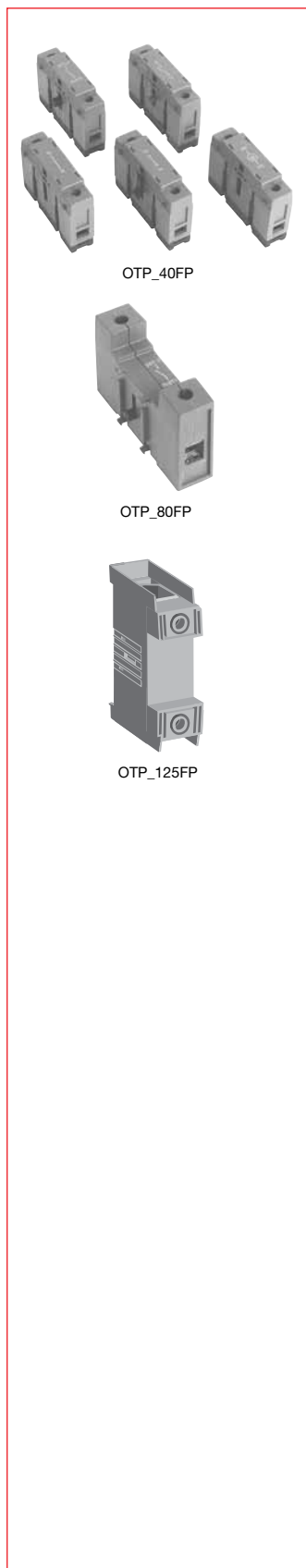
UL/NEMA Type	IEC Type	Markings	Color	Defeatable	Padlockable	Weight (Lbs.)	Catalog number	List price
1, 3R, 12	IP65		Black	Yes	Yes	0.39	OHB145J12E011	<b>\$ 130</b>
1, 3R, 12, 4, 4X	IP66	I/O/II, ON/OFF/ON	Black	Yes	Yes	0.39	OHB145L12E011	<b>170</b>
1, 3R, 12	IP65		Black	Yes	Yes	0.41	OHB175J12E011	<b>140</b>
1, 3R, 12, 4, 4X	IP66		Black	Yes	Yes	0.41	OHB175L12E011	<b>180</b>

① Red/Yellow handles are available by substituting the OHB prefix with OHY. For other special handle configurations, consult factory.

## Special configurations

### Accessories for double throw switches

Disconnect  
switches  
Non-fusible



#### Additional poles

##### Power poles

Only one power pole per switch. Mounts on left or right side of switch (OTPS40FPN1 mounts to left side only).

Description	For use on	Weight (Lbs.)	AC Thermal amp rating	AC rated voltage	Catalog number	List price
Fourth Pole	OT16-OT40	0.07	40	600	OTPS40FPN1	<b>\$ 36</b>
	OT30-OT60	0.13	60		OTPS60FP	<b>46</b>
	OT63-OT80	0.13	80		OTPS80FP	<b>44</b>
	OT100	0.31	100		OTPS125FP	<b>54</b>
Late-break/early-make	OT16-OT40	0.07	40	600	OTPL40FP	<b>36</b>
	OT30-60	0.13	60		OTPL60FP	<b>46</b>
	OT63-OT80	0.13	80		OTPL80FP	<b>44</b>
	OT100	0.31	100		OTPL125FP	<b>54</b>

#### Terminal poles

Switch accepts one terminal pole per side. Mounts on left or right side of switch.

Description	For use on	Weight (Lbs.)	AC Thermal amp rating	AC rated voltage	Catalog number	List price
Solid neutral	OT16-OT40	0.07	40	600	OTPN40FP	<b>\$ 20</b>
	OT63-OT80	0.13	80		OTPN80FP	<b>36</b>
	OT30-OT100	0.31	100		OTPN125FP	<b>50</b>
Detachable Neutral	OT16-OT40	0.07	40	600	OTPD40FP	<b>28</b>
	OT30-OT60	0.13	60		OTPD60FP	<b>38</b>
	OT63-OT80	0.13	80		OTPD80FP	<b>36</b>
	OT100	0.31	60		OTPD125FP	<b>50</b>
Ground Terminal	OT16-OT40	0.07	40	600	OTPE40FP	<b>20</b>
	OT30-OT60	0.13	60		OTPE60FP	<b>38</b>
	OT63-OT80	0.13	80		OTPE80FP	<b>36</b>
	OT100	0.31	100		OTPE125FP	<b>50</b>

#### Terminal lug kits

For Use On	Wire Size	Wire Type	Lugs/Kit	Weight (Lbs)	Catalog number	List price
OT200_C	#4 - 300kcmil	Cu/Al	6	0.5	OZXA-200	<b>\$ 80</b>
	#4 - 300kcmil		3	0.25	OZXA-200/3	<b>40</b>
	(6) 14-6 AWG		3	0.25	OZXA-206T	<b>200</b>
OT400_C	#2 - 600kcmil	Cu/Al	6	0.5	OZXA-400	<b>190</b>
	#2 - 600kcmil		3	0.25	OZXA-400/3P	<b>100</b>
	(2) #4 - 300kcmil		6	0.5	OZXA-402	<b>210</b>
	(6) #14 - 6 AWG		3	0.5	OZXA-406	<b>270</b>
OT600_C	(2) #2 - 600kcmil	Cu/Al	6	0.5	OZXA-800	<b>360</b>
	(2) #2 - 600kcmil		3	0.5	OZXA-800/3	<b>180</b>

#### Auxiliary contacts — snap-on mounting

Description	For Use On	Weight (Lbs.)	AC Thermal amp rating	AC rated voltage	Catalog number	List price
1 N.O.	OT16-100_C	0.7	10	600	OA7G10	<b>\$ 20</b>
1 N.C.	OT16-600_C	0.7	10	600	OA3G01	<b>20</b>
1 N.O.	OT200-600_C	0.7	10	600	OA1G10	<b>20</b>

#### Mounting & installation considerations

OT16-100	OA1G10 (1 N.O.) mounts on right side of switch only OA1G01 (1 N.C.) mounts on left side of switch only OA2G11 (1 N.O. & 1 N.C.) mounts on left or right side of switch Maximum two contacts on each side of switch
----------	---

18

Disconnect  
switches  
Non-fusible

## OT800 - 1200A

### OT800 - 1200A

UL general purpose amp rating	IEC AC21 amp rating	2 Pole		3 Pole		4 Pole	
		Catalog number	List price	Catalog number	List price	Catalog number	List price
800	1250	OT800U02	<b>\$ 2600</b>	OT800U03 OT800U12 OT800U30	<b>\$ 4200</b>	OT800U04 OT800U40 OT800U22	<b>\$ 5200</b>
1200	1600	OT1200U02	<b>6200</b>	OT1200U03 OT1200U12 OT1200U30	<b>6800</b>	OT1200U04 OT1200U40 OT1200U22	<b>8600</b>

### T-Style handles — for use with .47 x .47" (12x12mm) shafts

UL/NEMA Type	IEC Type	Color	Marking	Length	Defeatable	Padlockable	Catalog number	List price
1, 3R, 12	IP65	Black	O/I & Off/On	2 x 200	Yes	Yes	OHB200J12P	<b>\$ 140</b>

### Shafts for use with T-Style handles — .47 x .47" (12x12mm)

Shaft length	Maximum mounting depth	Weight (Lbs.)	Catalog number	List price
11.0 / 280	15.2	0.77	OX12X280	<b>\$ 36</b>
12.8 / 325	17.0	0.90	OX12X325	<b>40</b>
15.6 / 395	19.7	1.10	OX12X395	<b>44</b>
18.3 / 465	22.4	1.32	OX12X465	<b>48</b>
21.1 / 535	25.2	1.54	OX12X535	<b>52</b>

### Terminal lugs

For use on	Wire size	Wire type	Lugs per kit	Catalog number	List price
OT800 - 1200	(4) #2-600 kcmil	Cu	6	OZXA-1200	<b>\$ 700</b>

### Auxiliary contacts

Description	For use on	AC thermal amp rating	AC rated voltage	Catalog number	List price
1 NO	OT800 - 1200	10	600	OA1G10	<b>\$ 20</b>
1 NC				OA3G01	<b>20</b>
Module for contacts				OEA28	<b>50</b>

# Fusible Disconnect switches



Fusible disconnect switches  
30A – 800A, 600V

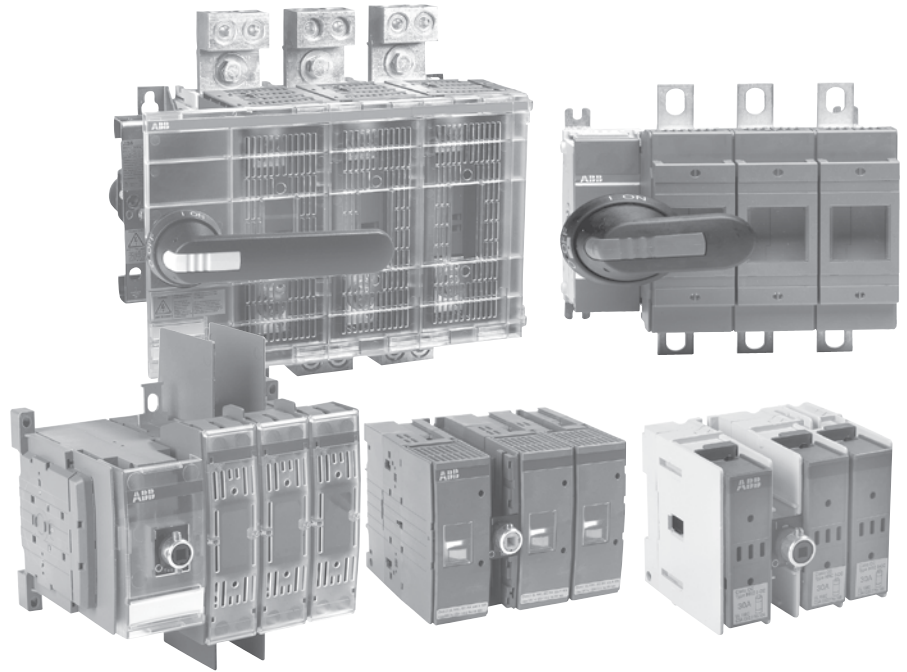


ABB PowerLine includes seven different amperage sizes from 30A to 800A. All ABB fusible switches are designed to meet customer requirements in terms of high interrupting capacity and long electrical life while occupying little more panel space than the appropriate fuses. The basic construction provides flexibility and high performance in an extremely compact size. ABB PowerLine switches are a perfect choice to withstand the heat and humidity of the tropics, the extreme cold of the arctic and any rugged industrial environment you may have.

### International acceptance

ABB fusible switches are available with a wide range of fuse clip options:

UL	USA	CSA	Canada
DIN	Europe	BS	United Kingdom
NFC	France	Ultra-rapid	

As well as the corresponding approvals: UL listed, CSA approved, IEC rated, CE marked, and most other international standards.

**UL98 (CSA 22.2 No.4)** – UL File # E101914, CSA File #LR58077  
*For 30A – 800A switches, OH\_ pistol grip handles*

Suitable for use as motor disconnects or industrial control panel disconnects on service entrance equipment, panelboards, switchboards, industrial control equipment, motor control centers, etc. and are horsepower rated and ampere rated.

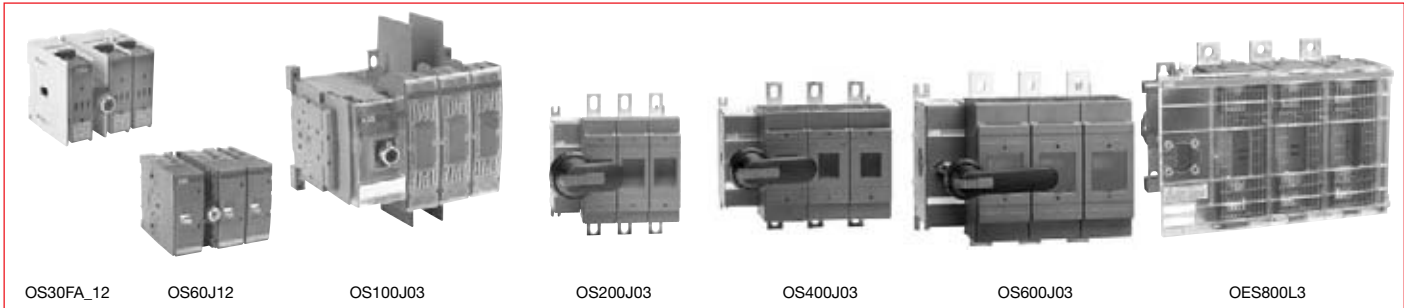
### IEC

Tested in accordance to IEC 947-1 and 3, IEC 664, IEC 269, and IEC 204

### CE

Compliance with the European Machine Directive IEC 204 (EN 60204)

## Selection guide OS30FACC12 – OES800L3



Catalog number 3 pole		OS30FACC12	OS30FAJ12	OS60J12	OS100J03	OS200J03	OS400J03	OS600J03	OES800L3	
<b>General purpose amp rating</b>		<b>A</b>	<b>30</b>	<b>30</b>	<b>60</b>	<b>100</b>	<b>200</b>	<b>400</b>	<b>600</b>	<b>800</b>
<b>Catalog reference</b>		Page #	18.79	18.79	18.83	18.83	18.83	18.87	18.87	18.87
<b>Approvals</b> ①										
	2 pole	N/A	N/A	N/A	UL98 & IEC	UL98 & IEC	UL98 & IEC	UL98 & IEC	UL98 & IEC	UL98 & IEC
	3 pole	UL98 & IEC	UL98 & IEC	UL98 & IEC	UL98 & IEC	UL98 & IEC	UL98 & IEC	UL98 & IEC	UL98 & IEC	UL98 & IEC
	4 pole	UL98 & IEC	UL98 & IEC	UL98 & IEC	UL98 & IEC	UL98 & IEC	UL98 & IEC	UL98 & IEC	UL98 & IEC	UL98 & IEC
<b>Technical ratings (UL, CSA)</b>										
Max operating voltage		V	600	600	600	600	600	600	600	600
Max horsepower rating										
	Three phase									
	240V	HP	7.5	7.5	15	30	60	125	200	250
	480V	HP	15	15	30	60	125	250	400	500
	600V	HP	20	20	50	75	150	350	500	600
	Single phase									
	120V	HP	2	2	—	—	—	—	—	—
	240V	HP	3	3	—	—	—	—	—	—
UL fuse class			CC	J	J	J	J	J	J	L
<b>Technical ratings (IEC)</b>										
Rated insulation and operational voltage, AC20 and DC20		V	1000	1000	1000	1000	1000	1000	1000	1000
Rated thermal current, I <sub>n</sub>										
	AC 20/DC 20 open	A	32	32	63	160	200	400	630	800
	AC 20/DC 20 enclosed	A	32	32	63	160	200	400	600	720
	AC 21A ≤500V	A	32	32	63	160	200	400	630	800
	≤690V	A	32	32	63	160	200	400	630	800
Rated operational power AC23										
	400/415V	kW	14/15	14/15	30	80/90	110	220/230	355	350/380
	690V	kW	25	25	60	132	200	400	560	600
<b>Physical characteristics</b>										
Weight										
	3 pole switch	lb	1.54	1.54	2.86	3.30	5.9	12.56	28.66	37.44
	4 pole	lb	1.98	1.98	3.52	3.96	7.5	15.21	37.48	46.26
Dimension										
	3 pole	H in	3.66	3.60	3.94	5.67	6.5	9.29	12.04	10.10
		W in	4.15	4.15	5.63	7.07	7.1	10.04	13.50	14.80
		D in	4.10	4.10	5.04	5.10	5.2	6.93	9.17	9.17
<b>Accessories</b>										
Double break contacts			S	S	S	S	S	S	S	S
Fuse cover			S	S	S	S	S	S	S	S
Terminal lug kit			Integral	Integral	Integral	OZXA-24	OZXA-200	OZXA-400	OZXA-800	OZXA-27
Terminal shroud			Not required	Not required	Not required	•	•	•	•	•
Auxiliary contact			•	•	•	•	•	•	•	•
Shaft/handle diameter			6mm .24 x .24"	6mm .24 x .24"	6mm .24 x .24"	6mm .24 x .24"	6mm .24 x .24"	12mm .47 x .47"	12mm .47 x .47"	12mm .47 x .47"
Handle UL/NEMA type			•	•	•	•	•	•	•	•
	Type 1, 3R, 12		•	•	•	•	•	•	•	•
	Type 1, 3R, 4, 4X, 12		•	•	•	•	•	•	•	•
Recommended pistol handle length			45 - 65mm	45 - 65mm	45 - 65mm	45 - 65mm	65 - 80mm	125 - 175mm	125 - 175mm	125 - 175mm
Maximum recommended shaft length			290mm	290mm	290mm	290mm	290mm	595mm	595mm	595mm
Electrical interlock			—	—	—	—	—	•	•	•

S = Standard  
• = Available  
— = Not available

① UL listed switches are also CSA approved.



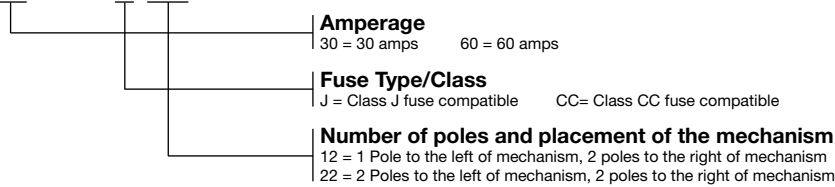
# Selection information

Disconnect  
switches  
Fusible

## Standard part number designation ①

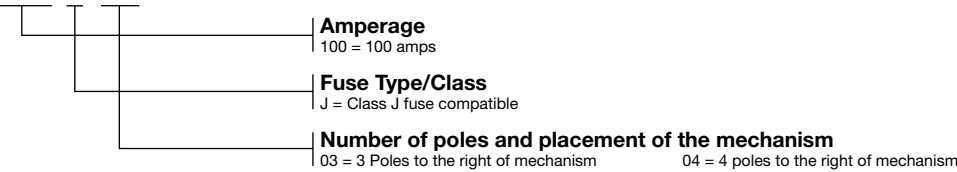
### Fusible OS Switches (30 to 60A)

**OS 30 F A J 22 F**



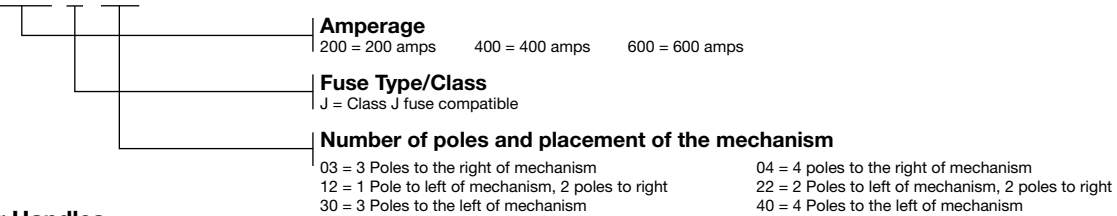
### Fusible OS Switches (100A)

**OS 100 J 03**



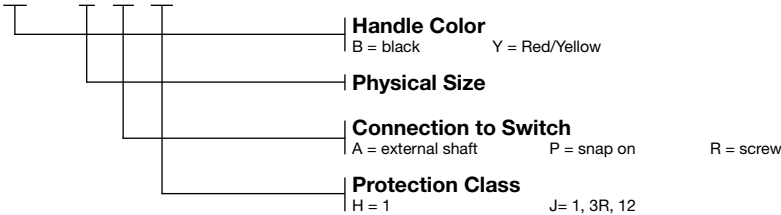
### Fusible OS Switches (200A and above)

**OS 200 J 04 F**



### Selector Handles

**OHB S 1 P H**



### Pistol Handles

**O H B 65 J 6 E011**



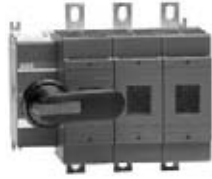
① Part designation keys are provided for reference only. Not all variations or configurations are available.

## Base & DIN rail mounted 30 – 800A

For a complete assembly, please select one of each:

- 1 switch (pg. 18.22)
- 1 handle (pg.18.23)
- 1 shaft (pg. 18.24)
- 1 terminal lug kit (pg. 18.25)

(Only required for 100A & above.)



OS400J03



OXP12X280



OHB145J12



OZXA-24

	UL general purpose amp rating	UL Fuse Type 600V	2 Pole		3 Pole		4 Pole	
			Catalog number	List price	Catalog number	List price	Catalog number	List price
UL 98	30	J CC ①	—	—	OS30FAJ12 OS30FACC12	\$ 280 280	OS30FAJ22F OS30FACC22F	\$ 350 350
	60	J	—	—	OS60J12	380	OS60J22F	490
	100	J	—	—	OS100J03	520	OS100J04F	660
	200	J	OS200J02	\$ 1,240	OS200J03 OS200J30 OS200J12	1,380 1,380 1,380	OS200J04F OS200J13F OS200J22F	1,725 1,725 1,725
	400	J	OS400J02	1,680	OS400J03 OS400J30 OS400J12	1,860 1,860 1,860	OS400J04F	2,320
	600	J	OS600J02	2,600	OS600J03 OS600J30 OS600J12	4,613 4,613 4,613	OS600J04F	5,536
	800	L	OES800L2	4,280	OES800L3	4,760	OES800L4	5,950

① Rejection style fuses only.

## Standard handles & shafts

Disconnect  
switches  
Fusible



### Recommended handles & shafts

Switch	Shaft diameter	Recommended standard pistol handle length	Maximum recommended shaft length
OS30 - 100 OS200	6x6 mm - .24 x .24"	45 - 65 mm	290 mm
OS400 - 600 OES800	12x12 mm - .47 x .47"	125 - 175 mm	595 mm

### Selector handles — for use with .24 x .24" (6mm) OXS6X shafts ② ③

UL/NEMA Type	IEC type	Color	Marking	Defeatable	Padlockable	Weight (lbs)	Catalog number	List price
1, 3R, 12	IP65	Black	O/I & Off/On	—	Yes	0.16	OHBS2AJ1	<b>\$ 28</b>
				Yes	Yes	0.16	OHBS2AJ	<b>30</b>

NOTE: Selector handles are not recommended for use with fusible switches over 30A.

### Pistol handles — for use with .24 x .24" (6mm) OXP6X shafts ② ③

UL/NEMA Type	IEC type	Color	Marking	Length in/mm	Defeatable	Padlockable	Weight (lbs)	Catalog number	List price
1, 3R, 12	IP65	Black	O/I & Off/On	2.6/65	Yes	Yes	0.29	OHB65J6	<b>\$ 80</b>
1, 3R, 12	IP65	Black	Off/On/Test	2.6/65	Yes	Yes	0.29	OHB65J6T ①	<b>100</b>
1, 3R, 12	IP65	Black	O/I & Off/On	3.1/80	Yes	Yes	0.30	OHB80J6	<b>90</b>
1, 3R, 12, 4, 4X	IP66	Black	O/I & Off/On	3.1/80	Yes	Yes	0.30	OHB80L6	<b>130</b>
1, 3R, 12, 4, 4X	IP66	Stainless Steel	O/I & Off/On	2.6/65	Yes	Yes	1.60	OHM65L6	<b>750</b>
1, 3R, 12	IP65	Black w/ stainless hasp	O/I & Off/On	2.6/65	Yes	Yes	0.31	OHB65J6EH	<b>250</b>
1, 3R, 12, 4, 4X	IP66	Black w/ stainless hasp	O/I & Off/On	2.6/65	Yes	Yes	0.31	OHB65L6EH	<b>290</b>

### Pistol handles — for use with .47 x .47" (12mm) OXP12X shafts ② ③

UL/NEMA Type	IEC type	Color	Marking	Length in/mm	Defeatable	Padlockable	Weight (lbs)	Catalog number	List price
1, 3R, 12	IP65	Black	O/I & Off/On	4.9/125	Yes	Yes	0.39	OHB125J12	<b>\$ 90</b>
				5.7/145	Yes	Yes	0.39	OHB145J12	<b>90</b>
				6.9/175	Yes	Yes	0.41	OHB175J12	<b>100</b>
1, 3R, 12, 4, 4X	IP66	Black	O/I & Off/On	5.7/145	Yes	Yes	0.39	OHB145L12	<b>130</b>
				6.9/175	Yes	Yes	0.41	OHB175L12	<b>140</b>
1, 3R, 12, 4, 4X	IP65	Metal	Off/On	8.7/220	--	Yes	1.50	YASDA-8	<b>190</b>
1, 3R, 12, 4, 4X	IP66	Stainless Steel	O/I & Off/On	4.9/125	Yes	Yes	1.70	OHM125L12	<b>900</b>
				6.9/175	Yes	Yes	1.80	OHM175L12	<b>1,100</b>
				275	Yes	Yes	2.10	OHM275L12	<b>1,200</b>
1, 3R, 12	IP65	Black w/ stainless hasp	O/I & Off/On	4.9/125	Yes	Yes	0.44	OHB125J12EH	<b>280</b>
				6.9/175	Yes	Yes	0.76	OHB175J12EH	<b>330</b>
1, 3R, 12, 4, 4X	IP66	Black w/ stainless hasp	O/I & Off/On	4.9/125	Yes	Yes	0.44	OHB125L12EH	<b>330</b>
				6.9/175	Yes	Yes	0.76	OHB175L12EH	<b>390</b>

### Direct mount handle ② ③

For use on	Description	Marking	Color	Padlockable	Weight	Catalog number	List price
OS30	No shaft required	O/I/Test	Black	Yes	0.10	OHBS5	<b>\$ 60</b>
OS60-100	No shaft required	O/I	Black	Yes	0.10	OHB4	<b>60</b>
OS200	No shaft required	O/I	Black	Yes	0.30	OSV200BK	<b>134</b>
OS400	No shaft required	O/I	Black	Yes	0.30	OSV400BK	<b>173</b>
OS600	No shaft required	O/I	Black	Yes	0.30	OSV800BK	<b>212</b>
OS400-600, OES800	Mounts on 12mm shaft	—	Metal	No	0.78	YASDA-33	<b>155</b>

① The OS30\_ switch has a TEST position, accessed by rotating the mechanism 45 degrees counterclockwise from the OFF position. In the TEST position, optional auxiliary contacts, OA4B1C, are actuated but the main switch contacts are not.

② Red/Yellow handles are available by substituting the OHB prefix with OHY.

③ All handles are plastic unless otherwise noted as metal or stainless steel.

## Standard handles & shafts



### Shafts — for use with OH selector handles .24 x .24" (6x6 mm)

Shaft length (in/mm)	Maximum mounting depth (inches)	Weight (Lbs.)	Catalog number	List price
5.1 / 130	5.6	0.08	OXS6X130	<b>\$ 6</b>
7.1 / 180	6.1	0.11	OXS6X180	<b>6</b>
9.8 / 250	10.3	0.13	OXS6X250	<b>12</b>
13 / 330	13.4	0.17	OXS6X330	<b>20</b>

NOTE: Selector handles and shafts are not recommended for use with fusible switches over 30A

### Shafts — for use with pistol handles .24 x .24" (6x6 mm)

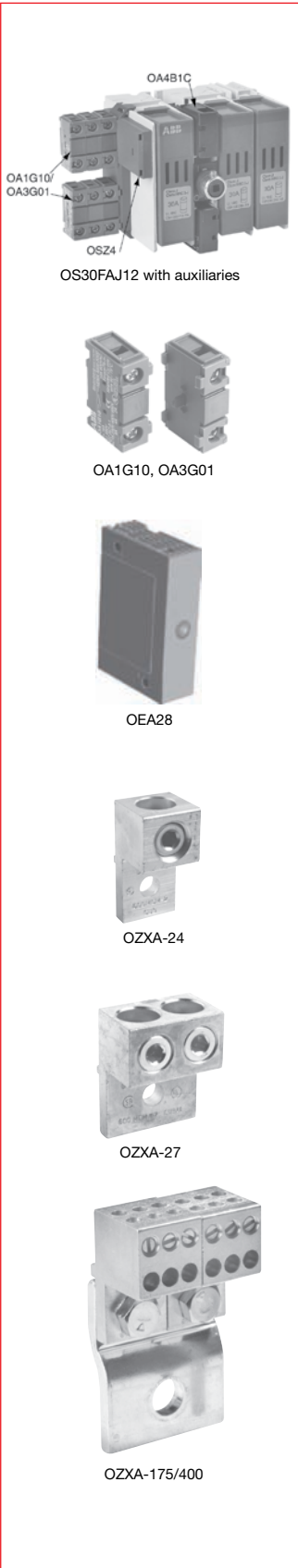
Shaft length (in/mm)	Maximum mounting depth (inches)				Weight (Lbs.)	Catalog number	List price
	OS30	OS60	OS100	OS200			
5.9 / 150	8.9	9.7	9.8	—	0.09	OXP6X150	<b>\$ 12</b>
8.3 / 210	9.7	12.1	12.2	9.9	0.13	OXP6X210	<b>16</b>
11.4 / 290	13.4	15.2	15.3	13.0	0.18	OXP6X290	<b>20</b>
14.2 / 360	18.7	12.9	18.0	—	0.23	OXP6X360	<b>24</b>
16.9 / 430	22.6	20.6	20.7	—	0.27	OXP6X430	<b>28</b>

### Shafts — for use with pistol handles .47 x .47" (12x12 mm)

Shaft length (in/mm)	Maximum mounting depth (inches)		Weight (Lbs.)	Catalog number	List price
	OS400	OS600, OES800			
11.0 / 280	13.8	14.9	0.77	OXP12X280	<b>\$ 36</b>
12.8 / 325	15.6	16.7	0.9	OXP12X325	<b>40</b>
15.6 / 395	18.3	19.4	1.1	OXP12X395	<b>44</b>
18.3 / 465	21.0	22.1	1.32	OXP12X465	<b>48</b>
21.1 / 535	23.8	24.8	1.54	OXP12X535	<b>52</b>

# Standard fusible accessories Base & DIN rail mounted switches

Disconnect  
switches  
Fusible



## Auxiliary contacts — snap-on mounting

Description	For Use On	Weight (Lbs.)	AC Thermal amp rating	AC rated voltage	Catalog number	List price
Form C 1 N.O. & 1 N.C.	OS30	0.04	6	250	OA4B1C	\$ 40
1 N.O.	OS30 - OS600	0.07	10	600	OA1G10	20
1 N.C.	OS30 - OS600	0.07	10	600	OA3G01	20
Module for auxiliary contacts	OS30	0.09	—	—	OSZ4	20
	OS200 - OS600	0.10	—	—	OEA28	50

## Auxiliary contacts — front mounting

Description	For Use On	Weight (Lbs.)	AC Thermal amp rating	AC rated voltage	Catalog number	List price
1 N.O. + 1 N.C.	OES800	0.20	10	600	OZXK-1	\$ 100
2 N.O. + 2 N.C.		0.26	10	600	OZXK-2	170
4 N.O. + 4 N.C.		0.40	10	600	OZXK-3	340
2 N.O.	OES800	0.18	10	600	OZXK-4	100
4 N.O.		0.25	10	600	OZXK-5	170
8 N.O.		0.4	10	600	OZXK-6	340

## Mounting & installation considerations

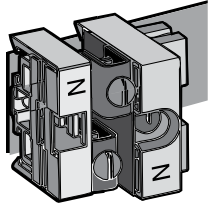
OS30	Form C contacts mount directly to switch Maximum two Form C contacts OA1G10 (1 N.O.) + OA3G01 (1 N.C.) require mounting base Maximum 6 OA1G10 + OA3G01 contacts with mounting base OSZ4
OS60 - 600	Mounting to left side of switch with OEA28 module: Maximum 8 contact blocks Mounting under mechanism cover: Maximum 4 contact blocks

## Terminal lugs

For Use On	Wire Size	Wire Type	Lugs/Kit	Catalog number	List price
OS100	#14 - 2/0	Cu/Al	6	OZXA-24 ①	\$ 24
OS200	#4 - 300 kcmil (6) 14-6 AWG	Cu/Al	6	OZXA-200	80
			3	OZXA-200/3	40
			3	OZXA-206/S	200
OS400	(2) #2 - 300 kcmil (2) #2 - 500 kcmil	Cu/Al	6	OZXA-400	190
			6	OZXA-402	210
			6	OZXA-33	375
OS600	(2) #2 - 600 kcmil (2) - 600 kcmil	Cu/Al	6	OZXA-800	360
			3	OZXA-800/3	180
OES800	(12) #14 - 6 kcmil (2) #2 - 600 kcmil (2) #2 - 600 kcmil	Cu/Al	3	OZXA-175/400	270
			6	OZXA-27	380
			3	OZXA-27/3P	190

① Not suitable for use on cable operated flange version of OS100.

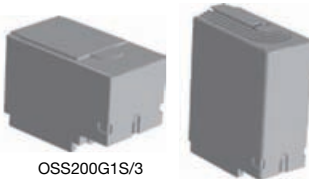
## Standard fusible accessories Base & DIN rail mounted switches



OESA-ZX171

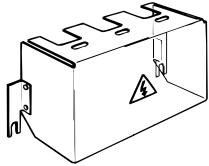


OSS160T3



OSS200G1S/3

OSS200G1L/3



OESA-ZX70  
OESA-ZX123  
OESA-ZX125



OFM\_



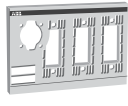
OSC60J\_



CXBY68362



OESA-ZX271  
OESA-ZX216



OESA-ZX272  
OESA-ZX196



OESA-ZX273  
OESA-ZX197

### Additional poles

Description	For use on	Weight (Lbs.)	AC Thermal amp rating	AC rated voltage	Catalog number	List price
Detachable neutral mounts on side of switch or DIN rail	OS30	0.45	30	600	OESA-ZX171	\$ 40
	OS60	0.13	63	600	OSZ1	50
	OS100	0.31	125	600	OSZ2	50
	OES800	1.19	800	600	OESA-ZX88	160

### Terminal shrouds ①

Description	For Use On	Weight (Lbs.)	Catalog number	List price
Terminal shroud for one pole	OS100	0.04	OSS160T1	\$ 20
Terminal shroud for 3 poles	OS100	0.04	OSS160T3	60
3 pole long type shrouds	OS200	0.20	OSS200G1L/3	50
3 pole short type shrouds	OS200	0.13	OSS200G1S/3	50
4 Pole long type shrouds	OS200	0.26	OSS200G1L/4	65
4 pole Short type shrouds	OS200	0.18	OSS200G1S/4	61
3 Pole includes one shroud for line or load side ②	OS400	0.13	OSS403	190
	OS600	0.11	OSS603	220
	OES800	0.11	OESA-ZX125	160

### Fuse monitors

#### Blown fuse indicators/monitors

For Use With	Rated Voltage	Weight (lbs)	Catalog number	List price
OS30-600 and OES800	100-240	0.31	OFM240	\$ 290
	380-600	0.31	OFM600	290

Suitable for 1 or 3 phase circuits. Includes 1 N.O. and 1 N.C. auxiliary contacts and red & green LED lights for indication.

#### Fuse Monitor Mounting Accessories

For Use With	Crimp Terminal size (mm)	Catalog number	List price
OS30-200	2.8-0.8	OFMZX2	\$ 20
OS400-600, OES800 Includes 6 crimp terminals	6.3-0.8	OFMZX4	70

### Fuse carriers/covers

Description	For Use on	Catalog number	List price
CC fuse carrier (Qty. 1)	OS30AFCC_	OESAZD48	\$ 50
J fuse carrier (Qty. 1)	OS30AFJ_	OESAZD28	50
Solid link carrier (Qty. 1)	OS30_	OESAZD55	50
Removable fuse carrier (Qty. 3)	OS60J12	OSC60J3	60
Removable fuse carrier (Qty. 4)	OS60J22F	OSC60J4	200
Transparent fuse cover	OS100	CXBY68362	20
Fuse Cover	OS200	CXBY68674	20
2 pole fuse cover	OES800	OESA-ZX216	180
3 pole fuse cover		OESA-ZX196	260
4 pole fuse cover		OESA-ZX197	350
Fuse Cover Interlock - prevents fuse cover from being opened when the switch is in the ON position	OES800	OESA-ZX204	90

① ABB switches are IP20 touchsafe as standard. Terminal shrouds provide an extra degree of protection.

② For 4 pole shrouds, please consult factory.

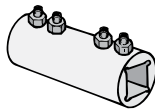
# Standard fusible accessories

## Base & DIN rail mounted switches

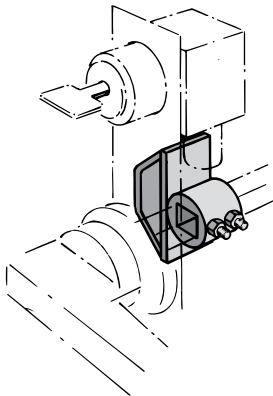
Disconnect  
switches  
Fusible



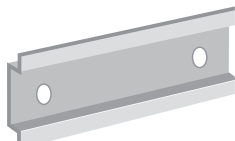
OHZX10



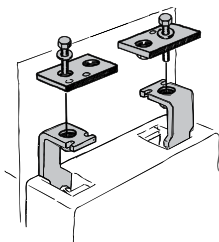
OETL-ZX95



OETL-ZW16



DIN rail



OESA-ZX1-J1T6

### Miscellaneous accessories & replacement parts

#### Shaft accessories

Accessory Type	Description	For Use On	Weight	Catalog number	List price
Shaft Adapter	Adapts one end of a 6m shaft to 12mm (use with shaft extension coupler)	6mm shafts	0.2	OETL-ZK19	<b>\$ 40</b>
Shaft Extension Coupler	Joins two shafts together for applications where extended length is required	6mm shafts 12mm shafts	0.26 0.26	OESA-ZX167 OETL-ZX95	<b>56</b> <b>100</b>
Shaft Guide	Fits all pistol grip handles, mounts on the inside of the enclosure door with provided hardware	pistol handles	-	OHZX10	<b>12</b>

#### Locking accessories

Accessory Type	Description	For Use On	Weight	Catalog number	List price
Cam Attachment	for Kirk Key, Castell, Low & Fletcher and Ronis interlock. For adapting to the interlock system. The interlock is not included.	OS60-OS200 OS400-OS600	0.25 0.29	OETL-ZW16 OETL-ZW5	<b>\$ 190</b> <b>190</b>
Electrical Interlock	Closed circuit principle for interlocking the switch movement. When the coil circuit is dead, A-types cannot be operate to O-position and L-types cannot be operated to ON- or OFF-position. Coil voltages 110VAC, 220 VAC, 24VDC, 48VDC, 60VDC, 110VDC, 220VDC, P - 15W U = 0.7 - 1.1 Un (U = coil voltage, Un = nominal voltage)	OES800	2.42	OETL-ZT80AΔ OETL-ZT80LΔ	<b>1280</b> <b>1220</b>

Δ = Coil Voltage

#### Shorting bars

Description	For Use On	AC thermal amp rating	AC rated voltage	Catalog number	List price
Dummy Fuse	OS60	60	600	OESA-ZD54	<b>\$ 50</b>
Solid links: metal strap	OS100	100	600	OESA-ZS36	<b>24</b>
	OS200	400	600	OESA-ZK98	<b>23</b>

#### T type fuse adapter kit

For Use on	For Use with	AC thermal amp rating	AC rated voltage	Poles	Catalog number	List price
OES800	300 & 600V Class T fuse	800	600	3	OESA-ZX1-L8T6	<b>\$ 280</b>

#### Replacement parts

Item	Description	For use on	Catalog number	List price
Terminal cover	Covers terminal below fuse carrier	OS30_	CXBY67121	<b>\$ 10</b>
Phase Barrier	-	OS200	CXBY68794	<b>15</b>
Shaft Set Screw	-	OS30_	FLSWM5X8AX	<b>2</b>

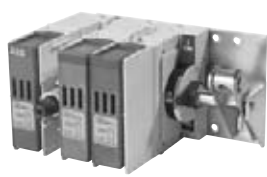


## Special configurations

### Shaft operated flange

### 30A - 100A

For a complete assembly, please select one of each.



Switch



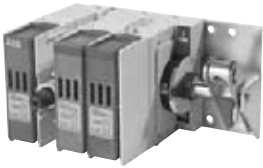
Handle



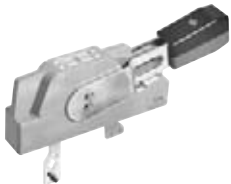
Shaft



Lug kit (as required)



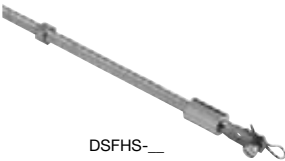
OS30FAJF30



DSFHN-HS\_



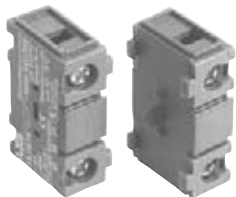
DSFHS\_



OZXA-24



OZXA-24



OA1G\_

### 30A -100A Flange operated fusible switches (Shaft) – 3 pole

UL general purpose amp rating A	UL fuse type 600V	Maximum horsepower rating			Catalog number	List price
		Three phase				
		240V	480V	600V		
30	J	7.5	15	20	OS30FAJF30	\$ 500
30	CC	7.5	15	20	OS30FACCF30	500
60	J	15	30	50	OS60JF30	590
100	J	30	60	75	OS100JF30	690

### Flange handles

UL/ NEMA type	Marking	Defeatable	Padlockable	Catalog number	List price
1, 3R, 12	OFF/ON	Yes	Yes	DSFHN-HS12	\$ 156
4, 4X	OFF/ON	Yes	Yes	DSFHN-HS4	240

### Shafts

For use with:	Maximum enclosure depth (inches)	Catalog number	List price
OS30_ - OS100_	16	DSFHS-12	\$ 28
	21	DSFHS-17	40
	26.5	DSFHS-22	52

### Terminal lug kits and accessories

For use on:	Description	Wire size	Wire type	Qty.	Catalog number	List price
OS30_	Lug	#18 - #8	Cu	--	Integral	—
OS60_	Lug	#14 - #4	Cu	--	Integral	—
OS100_	Lug	#14 - 2/0	Cu/Al	6	OZXA-24	\$ 24
OS30_ - OS100_	Aux. Contact	1 NO		1	OA1G10	20
	Aux. Contact	1 NC		1	OA3G01	20
OS30_	Adapter	Needed for mounting aux. Contacts on OS30_		1	OSZ4	20
OS100_	Shroud	Includes one set of 3 for use on line or load side		1	OSS160T3	60

### Door hardware NEMA 12

Item	Catalog number	List price
Safety door latch, 2 point, door less than 40" high	KDH2R	\$ 200
Safety door latch, 3 point, door greater than 40" high	KDH3R	225

### Flange operated fusible and non-fusible disconnect switches

ABB's solution for complying with the new NFPA79 requirements is Flange Operated Fusible and Non-fusible Disconnect Switches.

New 2002 NFPA 79 changes requires main disconnecting means to be operable without the use of accessory tools or devices, independent of door position. This code also includes an interlocking provision to prevent the closing of disconnects while the enclosure door is open, unless an interlock is operated by a deliberate action.

The flange operated disconnect switches are available as ridged shaft or flexible cable operated versions. The cable operated version allows you to install the disconnect switch anywhere in the enclosure depending on the length of the cable. Cables are available in lengths up to 84 inches.

The designs are cost-effective NFPA 79 solutions offering quick and easy installation.

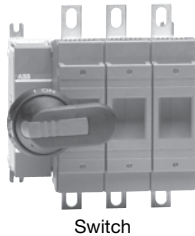
# Special configurations

## Cable operated flange

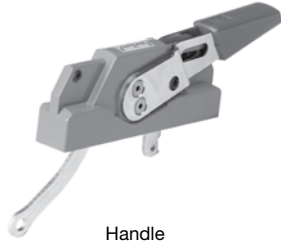
### 30A - 200A

Disconnect  
switches  
Fusible

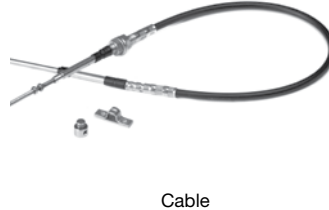
For a complete assembly, please select one each of the following:



Switch



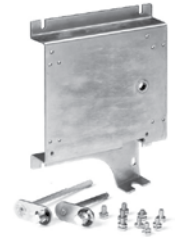
Handle



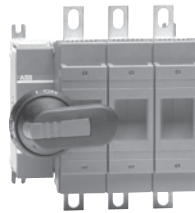
Cable



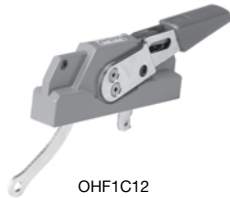
Lug kit (as required)



Operating mechanism



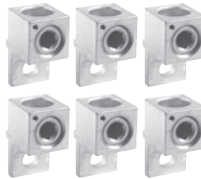
OS200J03



OHF1C12



OXC1L36-  
OXC1L84



Lug Kit



OZXA-200

### Fusible

UL general purpose amp rating	UL fuse type 600V	Maximum horsepower rating			Catalog number	List price
		Three phase				
		240V	480V	600V		
30	J	7.5	15	20	OS30FAJ12	\$ 280
30	CC	7.5	15	20	OS30FACC12	280
60	J	15	30	50	OS60J12	380
100	J	30	60	75	OS100AJ30	920
200	J	60	125	150	OS200J30	1,380

### Flange handles – UL98; File #E101914

For use with:	Environmental rating	Catalog number	List price
OS30_12, OS60J12, OS100AJ30, OS200J30	NEMA 1, 3R, 12	OHF1C12	\$ 213
	NEMA 4, 4X	OHF1C4	243

### Flexible cables

For use with:	Cable length (inches)	Catalog number	List price
OS30_12, OS60J12, OS100AJ30, OS200J30	36	OXC1L36	\$ 114
	48	OXC1L48	146
	60	OXC1L60	160
	72	OXC1L72	175
	84	OXC1L84	204

### Operating mechanisms

For use with:	Catalog number	List price
OS30AFJ12, OS30AFCC12	MKCS2	\$ 135
OS60J12	MKCS3	162
OS100AJ30, OS200J30	MKCS4	171

### Terminal lug kits

For use with	Wire size	Wire type	Description	Lugs per kit	Catalog number	List price
OS100AJ30 OS200J30	#4 – 300 Kcmil	Cu/Al	—	6	OZXA-200	\$ 80
	#4 – 300 Kcmil	Cu/Al	—	3	OZXA-200/3	40
	(6) #4-6 AWG	Cu/Al	Distribution lug	3	OZXA-206/S	200

### Door hardware NEMA 12

Item	Catalog number	List price
Safety door latch, 2 point, door less than 40" high	KDH2R	\$ 200
Safety door latch, 3 point, door greater than 40" high	KDH3R	225

Discount schedule H3 [D3]: Fusible 30A - 100A  
 Discount schedule H6 [DH]: Handles, shafts, accessories and lug kits  
 Discount schedule H5 [D5]: Fusible 200A - 800A  
 Discount schedule SH [SH]: Door hardware kits

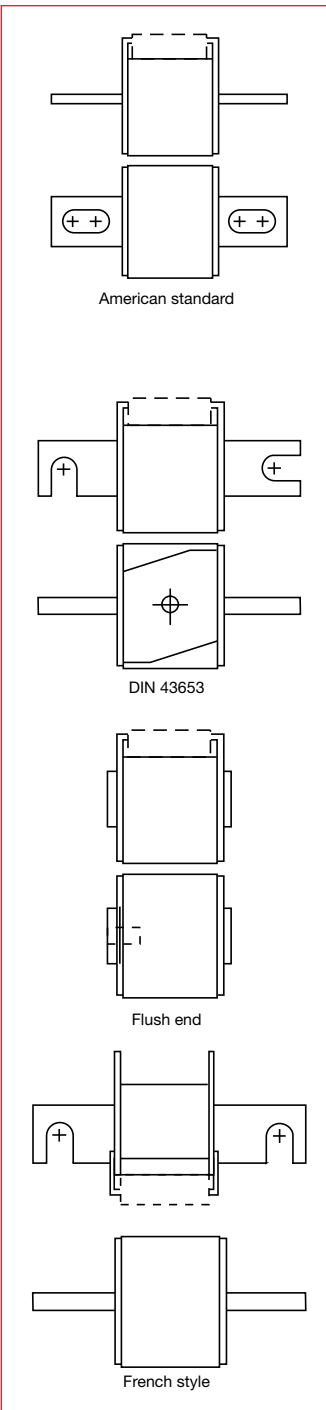
## Other configurations

### High speed fuse pattern

### Special type fuses

For a complete assembly,  
please select one of each:

- 1 switch body
- 1 adapter kit
- 1 shaft
- 1 handle



#### Selecting switch bodies and adapter kits

Please select switch body and adapter kit according to your fuses. Switch body alone can not be used — an adapter kit is always needed.

#### Switch bodies — 200A through 800A

UL general purpose amp rating	Maximum horsepower rating			Max. allowed fuse power dissipation at rated current	Weight (lbs)	Catalog number	List price
	Three phase						
	240V	480V	600V				
<b>3 pole</b>							
200	60	125	150	22W	15.21	OES200R03	①
400	125	250	350	45W	17.20	OES400R03	
600	200	400	500	60W	37.48	OES600R03	
800	250	500	600	65W	37.48	OES800R03	
<b>4 pole</b>							
200	60	125	150	22W	17.4	OES200R04	①
400	125	250	350	45W	19.4	OES400R04	
600	200	400	500	60W	46.3	OES600R04	
800	250	500	600	65W	46.3	OES800R04	

#### Fuse adapter kits — for switches OES200 – OES400

Fuse standard	For 3 pole switch		For 4 pole switch	
	Catalog number	List price	Catalog number	List price
American standard	OESAZX1-S4 OESAZX1-S5	①	OESAZX1-S4/4 OESAZX1-S5/4	①
DIN80 (DIN43653) DIN80 sizes 00 and 000 (DIN 43653) DIN110 (DIN43653) DIN140 (DIN43653)	OESAZX1-S7 OESAZX1-S9 OESAZX1-S2 OESAZX1-S6		OESAZX1-S7/4 OESAZX1-S9/4 OESAZX1-S2/4 OESAZX1-S6/4	
Flush-end, 70mm body Flush-end, 50mm body	OESAZX1-S8 OESAZX1-S3		OESAZX1-S8/4 OESAZX1-S3/4	
French French with micro switches	OESAZX1-S10 OESAZX1-S11		OESAZX1-S10/4 OESAZX1-S11/4	

#### Fuse adapter kits — for switches OES600 – OES800

Fuse standard	For 3 pole switch		For 4 pole switch	
	Catalog number	List price	Catalog number	List price
American standard DIN80, DIN 110, DIN 140 (DIN43653) Flush-end, 50mm and 70mm body French French with micro switches	OESAZX2-S4 OESAZX2-S2 OESAZX2-S3 OESAZX2-S5 OESAZX2-S6	①	OESAZX2-S4/4 OESAZX2-S2/4 OESAZX2-S3/4 OESAZX2-S5/4 OESAZX2-S6/4	①

#### Handles and shafts — see pages 18.87 – 18.88.

Selecting the right fusible disconnect for HSF fuses may be difficult. Due to UL restrictions it is not possible to give a general fuse selection table for your use. Therefore we ask you to contact ABB Inc., Wichita Falls, in application issues. Information needed is nominal current of the application and catalog number of the fuse.

① Consult Factory.

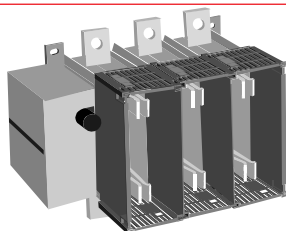
## Other configurations

### High speed fuse pattern

### Standard switches

Disconnect  
switches  
Fusible

For a complete assembly, please select one switch catalog number which includes:



Switch body



shaft



handle

### Selecting switch bodies

There are some HSF fuses that fit in standard pattern fusible disconnects, no adapter kits needed.

### DIN-style fusible disconnects — 32A through 800A<sup>①</sup>

UL general purpose amp rating	AC23A rated operational power in kW				Fuse type	Weight (lbs.)	Catalog number	List price
	230V	400V	500V	690V				
<b>3 pole</b>								
30	9	15	22	30	DIN 000, 00	2.9	OS32RD12	③
60	18.5	30	37	60	DIN 000, 00	2.9	OS63RD12	
100	45	80	110	132	DIN 000, 00	3.3	OS160RD03	
100	45	80	110	132	DIN 43653: 000/80	3.3	OS160RD0380	
200	70	132	170	230	DIN 0, 1	16.1	OESA250RD3	
400	110	210	280	330	DIN 0, 1, 2	18.3	OESA400RD3	
600	180	315	400	540	DIN 3	35.2	OESA630RD3	
800	200	350	470	600	DIN 3	39.6	OESA800RD3	
<b>4 pole</b>								
30	9	15	22	30	DIN 000, 00	3.5	OS32RD22	③
60	18.5	30	37	60	DIN 000, 00	3.5	OS63RD22	
100	45	80	110	132	DIN 000, 00	4.0	OS160RD04	
100	45	80	110	132	DIN 43653: 000/80	4.0	OS160RD0480	
200	70	132	170	230	DIN 0, 1	18.1	OESA250RD4	
400	110	210	280	330	DIN 0, 1, 2	20.7	OESA400RD4	
600	180	315	400	540	DIN 3	46.3	OESA630RD4	
800	200	350	470	600	DIN 3	52.9	OESA800RD4	

### NFC-style fusible disconnects — 25A through 125A<sup>②</sup>

UL general purpose amp rating	AC23A rated operational power in kW				Fuse type	Weight (lbs.)	Catalog number	List price
	230V	400V	500V	690V				
<b>3 pole</b>								
30	6	11	14	22	NFC 10x38	1.54	OS25FRF1210	③
30	8	14	18	25	NFC 14x51	1.54	OS32RF1214	
60	18.5	30	37	60	NFC 14x51	2.90	OS63RF1214	
100	37	60	80	110	NFC 22x58	3.30	OS125RF0322	
100	45	80	110	132	NFC 27x60	3.30	OS160RF0327	
<b>4 pole</b>								
30	6	11	14	22	NFC 10x38	2.00	OS25FRF2210	③
30	8	14	18	25	NFC 14x51	2.00	OS32RF2214	
60	18.5	30	37	60	NFC 14x51	3.50	OS63RF2214	
100	37	60	80	110	NFC 22x58	4.00	OS125RF0422	
100	45	80	110	132	NFC 27x60	4.00	OS160RF0427	

Selecting the right fusible disconnect for HSF fuses may be difficult. Due to UL restrictions it is not possible to give a general fuse selection table for your use. Therefore we ask you to contact ABB Control Inc., Wichita Falls, regarding application issues.

① OS32 – OS160 include handle OHB65J6 and shaft OXP6X161.  
OESA250 – OESA400 include handle OHB125J12 and shaft OXP12X250.  
OESA630 – OESA800 include handle OHB145J12 and shaft OXP12X250.

② OS25 – OS125 include handle OHB65J6 and shaft OXP6X161.

③ Consult factory.

## Other configurations

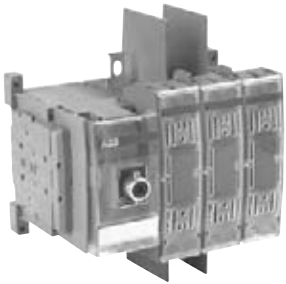
### BS fuse pattern ① 20A – 800A



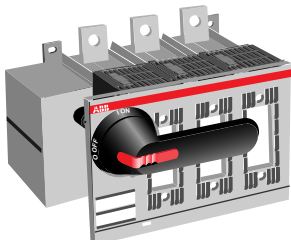
OS32B12A1



OS63B12



OS160



OS200B3

#### BS fuse pattern switches (20A – 32A) Handle and shaft included

Catalog number	number of poles	Rated op. current/ Rated op. power		Fuse type and size	Fuse standard
		415V	690V		
OS20FB12A1 OS20FB22A1N1 OS20FB22A1F	3 3 + non-fused neutral 4	20 A 10 kW	20A 15 kW	A1 20 A	BS 88-2 IEC 269-2-1
OS32B12A1 OS32B22A1N1 OS32B22A1F	3 3 + non-fused neutral 4	32 A 15 kW	32A 25 kW	A1 32 A	
OS32B12A2 OS32B22A2N1	3 3 + non-fused neutral	32 A 15 kW	32A 25 kW	A2 32 A	
OS32B12F1 OS32B22F1N1	3 3 + non-fused neutral	32 A 15 kW	32A 25 kW	F1 32 A	BS 88-6

#### BS pattern switches (32A – 800A) Handle and shaft included Fuse covers included for 200A – 800A

Catalog number	number of poles	Rated operational voltage AC23/[V]	I <sub>th</sub> (open) [A]	Rated operational current/ Rated operational power in category AC23A, IEC947 [A/kW]					Weight with package [kg]
				230V	400V	415V	500V	690V	
OS32B12 OS32B22N1	3 4 <sup>②</sup>	500	32	32/7.5	32/11	32/15	32/15	—	1.3 1.6
OS63B12 OS63B22N1	3 4 <sup>②</sup>	690	63	63/15	63/30	63/30	63/30	401/30	1.3 1.6
OS100B12 OS100B13 OS100B01 OS100B11	3 4 <sup>②</sup> 1 2	690	125	100/30	100/55	100/55	100/70	501/45	1.5 1.8 0.9 1.9
OS160B12 OS160B13 OS160B01 OS160B11	3 4 1 2	690	160	100/30	100/55	100/55	100/70	500/45	1.5 1.8 0.9 1.2
OS200B3 OS200B4 OS200B1 OS200B2	3 4 <sup>②</sup> 1 2	690	200	200/57	200/100	200/110	200/140	200/180	7.1 8.2 5.1 6.1
OS250B3 OS250B4	3 4 <sup>②</sup>	690	250	250/70	250/132	250/140	250/170	250/230	7.1 8.2
OS315B3 OS315B4 OS315B1 OS315B2	3 4 <sup>②</sup> 1 2	690	315	315/90	315/100	315/100	315/220	315/290	7.9 8.9 5.9 6.9
OS400B3 OS400B4 OS400B1 OS400B2	3 4 <sup>②</sup> 1 2	690	400	400/110	400/210	400/230	400/280	400/330	8.3 9.4 6.3 7.3
OS630B3 OS630B4 OS630B1 OS630B2	3 4 <sup>②</sup> 1 2	690	630	630/180	630/315	630/340	630/400	630/540	16.0 21.0 6.5 11.0
OS800B3 OS800B4 OS800B1 OS800B2	3 4 <sup>②</sup> 1 2	690	800	800/200	800/350	800/380	720/470	720/600	18.0 24.0 6.7 12.3



BS fuses are widely used in UK, South-Africa, Australia and Hong Kong

① Please consult factory for additional information.  
② The fourth pole is provided with a solid link which can be replaced with a fuse.

## Other configurations

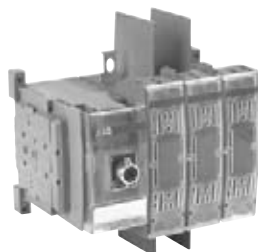
### DIN fuse pattern ①

### 32A – 800A

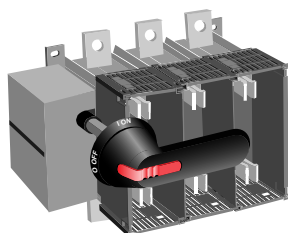
Disconnect  
switches  
Fusible



OS63D12



OS160



OS250P3P

#### DIN pattern switches (32A – 800A)

Handle and shaft included

Catalog number	Number of poles	Operational AC23[V]	I <sub>th</sub> (open) [A]	Rated operational current/ Rated operational power in category AC23A, IEC947 [A/kW]					Weight with package [kg]
				230V	400V	415V	550V	690V	
OS32D12 OS32D22N1 OS32D22F	3 3 + non-fused neutral 4	690	32	32/7.5	32/11	32/15	32/15	–	1.3 1.6 1.6
OS63D12 OS63D22N1 OS63D22F	3 3 + non-fused neutral 4	690	63	63/15	63/30	63/30	63/30	40/30	1.3 1.6 1.6
OS125D12 OS125D22N1 OS125D22F OS125D01 OS125D11	3 3 + non-fused neutral 4 1 2	690	125	100/30	100/55	100/55	100/70	50/45	1.5 1.8 1.8 0.9 1.2
OS160D12 OS160D22N1 OS160D22F OS160D01 OS160D11	3 3 + non-fused neutral 4 1 2	690	160	100/30	100/55	100/55	100/70	50/45	1.5 1.8 1.8 0.9 1.2
OS250D3P OS250D4P OS250DF4P OS250D1P OS250D2P	3 3 + non-fused neutral 4 1 2	690	250	250/70	250/132	250/140	250/170	250/230	7.3 8.2 8.2 5.5 6.4
OS400D3P OS400D4P OS400DF4P OS400D1P OS400D2P	3 3 + non-fused neutral 4 1 2	690	400	400/110	400/210	400/230	400/280	400/330	8.3 9.4 9.4 6.3 7.3
OS630D3P OS630D4P OS630DF4P OS630D1P OS630D2P	3 3 + non-fused neutral 4 1 2	690	630	630/180	630/315	630/340	630/400	630/540	16.0 21.0 21.0 6.5 11.0
OS800D3P OS800D4P OS800DF4P OS800D1P OS800D2P	3 3 + non-fused neutral 4 1 2	690	800	800/200	800/350	800/380	720/470	720/600	18.0 24.0 24.0 8.5 13.0



DIN fuses are mainly used in continental Europe (excluding France below 125A), Asia, Africa and South-America

① Please consult factory for additional information.



## Other configurations

### NFC fuse pattern

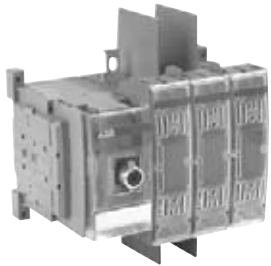
### 63A – 125A, 14x51 & 22x58



OS32FF1214



OS63F12



OS125F03

#### NFC fuse pattern switches (cylinder) (10x38) (14x51)

Handle and shaft included

Catalog number	number of poles	Rated operational current/ Rated operational power		Fuse type and size	Fuse standard
		415V	690V		
OS25FF1210 OS25FF2210N1 OS25FF2210F	3 3 + non-fused neutral 4	25 A 12 kW	25A 22 kW	10 x 38 25 A	IEC 269-2-1
OS32FF1214 OS32FF2214N1 OS32FF2214F	3 3 + non-fused neutral 4	32 A 15 kW	32A 25 kW	14 x 51 32 A	IEC 269-2-1

#### NFC fuse pattern (cylinder fuse links), (14x51 & 22x58)

Handle and shaft included

Catalog number	number of poles	Rated operational voltage AC23/[V]	I <sub>th</sub> (open) [A]	Rated operational power in category AC23A, IEC947 [A/kW]					Weight with pack- age [kg]
				230V	400V	415V	550V	690V	
OS50F12 OS50F22F	3 4	690	50	50/15	50/25	50/25	50/33	50/45	1.3 1.6
OS63F12 OS63F22F	3 4	690	63	63/18.5	63/30	63/30	63/37	63/60	1.3 1.6
OS100F03 OS100F04F OS100F04N1	3 4 3 + non-fuse N	690	125	100/30	100/45	100/55	100/60	100/90	2.2 2.8 2.8
OS125F03 OS125F04F OS125F04N1	3 4 3 + non-fuse N	690	125	125/37	125/60	125/60	125/80	125/110	1.3 1.6 1.6



NFC fuses are used in France and in French speaking Africa

① Please consult factory for additional information.



## Coming soon OS800

Disconnect  
switches  
Fusible

### OS800

UL general purpose amp rating	UL Fuse type 600 V	2 Pole	3 Pole	4 Pole
		Catalog number	Catalog number	Catalog number
800	L	OS800L02	OS800L03 OS800L30 OS800L12	OS800L04F
1200	L	OS1200L02	OS1200L03	OS1200L04F

### T-Style handles — for use with .47 x .47" (12x12mm) shafts ①

UL/NEMA Type	IEC Type	Color	Marking	Length	Defeatable	Padlockable	Catalog number
1, 3R, 12	IP65	Black	O/I & Off/On	2 x 200	Yes	Yes	OHB200J12P

### Shafts for use with T-Style handles — .47 x .47" (12x12mm)

Shaft length	Maximum mounting depth	Weight (Lbs.)	Catalog number
11.0 / 280	15.2	0.77	OXP12X280
12.8 / 325	17.0	0.90	OXP12X325
15.6 / 395	19.7	1.10	OXP12X395
18.3 / 465	22.4	1.32	OXP12X465
21.1 / 535	25.2	1.54	OXP12X535

### Terminal lugs

For use on	Wire size	Wire type	Lugs per kit	Catalog number
OS1200	(4) #2-600 kcmil	Cu/Al	6	OZXA-1200
OS800	(2) #2 - 600 kcmil	Cu/Al	6	OZXA-800
	(2) - 600 kcmil	Cu/Al	3	OZXA-800/3

### Auxiliary contacts

Description	For use on	AC thermal amp rating	AC rated voltage	Catalog number
1 NO	OS800 - 1200	10	600	OA1G10
1 NC				OA3G01
Module for contacts				OEA28



# Enclosed Disconnect switches



## Enclosed disconnect switches

16A – 3150A Non-fusible

30A – 800A Fusible



SafeLine enclosed disconnect switches are designed to meet customer requirements in terms of safety, ease of installation, space savings and operational convenience. They are available in a wide range of amperage ratings, are UL approved and NEMA rated to satisfy rugged industrial environments.

## eOT UL508 Enclosed switches

The eOT series of enclosed manual motor controllers are rotary operated, 3 pole, 600V Hp rated switches, housed in thermoplastic/polycarbonate enclosures suitable for wet and corrosive environments.



EOT16U3P3-S



EOT16U3P4-P

### NEMA 3R/12

Handle type	Handle color	Amp rating	Auxiliary contacts	Catalog number	List price
Selector	Black	16	--	EOT16U3P3-S	\$ 250
Selector	Black	40	--	EOT32U3P3-S	300
Selector	Black	60	--	EOT45U3P3-S	325
Pistol	Black	80	--	EOT63U3P3-P	355
Selector	Black	16	1 NO	EOT16U3P3-1S	305
Selector	Black	40	1 NO	EOT32U3P3-1S	370
Selector	Black	60	1 NO	EOT45U3P3-1S	405
Pistol	Black	80	1 NO	EOT63U3P3-1P	435
Selector	Red/Yellow	16	--	EOT16U3P3-S1	250
Selector	Red/Yellow	40	--	EOT32U3P3-S1	300
Selector	Red/Yellow	60	--	EOT45U3P3-S1	325
Pistol	Red/Yellow	80	--	EOT63U3P3-P1	385
Selector	Red/Yellow	16	1 NO	EOT16U3P3-1S1	305
Selector	Red/Yellow	40	1 NO	EOT32U3P3-1S1	370
Selector	Red/Yellow	60	1 NO	EOT45U3P3-1S1	405
Pistol	Red/Yellow	80	1 NO	EOT63U3P3-1P1	435

### NEMA 4/4X

Pistol	Black	16	--	EOT16U3P4-P	\$ 270
Pistol	Black	40	--	EOT32U3P4-P	325
Pistol	Black	60	--	EOT45U3P4-P	365
Pistol	Black	80	--	EOT63U3P4-P	385
Pistol	Black	16	1 NO	EOT16U3P4-1P	335
Pistol	Black	40	1 NO	EOT32U3P4-1P	400
Pistol	Black	60	1 NO	EOT45U3P4-1P	445
Pistol	Black	80	1 NO	EOT63U3P4-1P	475
Pistol	Red/Yellow	16	--	EOT16U3P4-P1	270
Pistol	Red/Yellow	40	--	EOT32U3P4-P1	325
Pistol	Red/Yellow	60	--	EOT45U3P4-P1	365
Pistol	Red/Yellow	80	--	EOT63U3P4-P1	385
Pistol	Red/Yellow	16	1 NO	EOT16U3P4-1P1	335
Pistol	Red/Yellow	40	1 NO	EOT32U3P4-1P1	400
Pistol	Red/Yellow	60	1 NO	EOT45U3P4-1P1	445
Pistol	Red/Yellow	80	1 NO	EOT63U3P4-1P1	475

### Accessories for eOT16 – eOT63

Description	For use on	AC thermal amp rating	AC rated voltage	Catalog number	List price
<b>Auxiliary contacts</b> ②					
NO, mounts on right side of the switch only	eOT16 - 63	10	600	OA1G10	\$ 20
NC, mounts on left side of the switch only		10	600	OA1G01	20
<b>4th pole</b> ③					
4th pole	eOT16 &	40	600	OTPS40FPN1	36
4th pole, late-break / early-make function	eOT32	40	600	OTPL40FP	36
4th pole	eOT45 &	80	600	OTPS80FP	44
4th pole, late-break / early-make function	eOT63	80	600	OTPL80FP	44

① Due to torque requirements, the eOT63 is equipped with a pistol handle for both 3X/12 & 4/4X versions.

② Maximum number of auxiliary contacts: 2NO + 1NC.

③ Only one additional pole per switch.

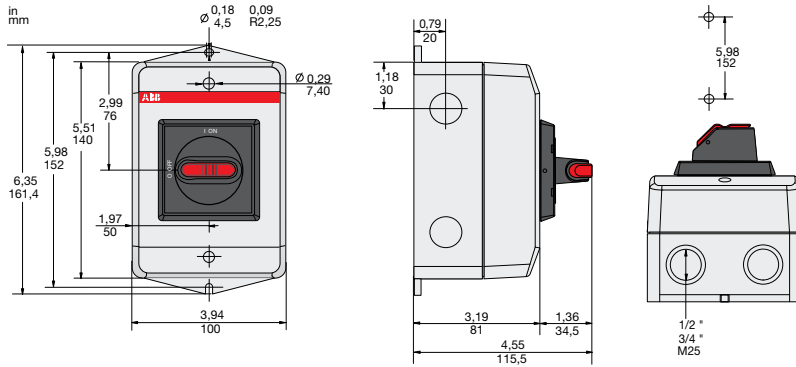
# eOT Enclosed switches

## Approximate dimensions

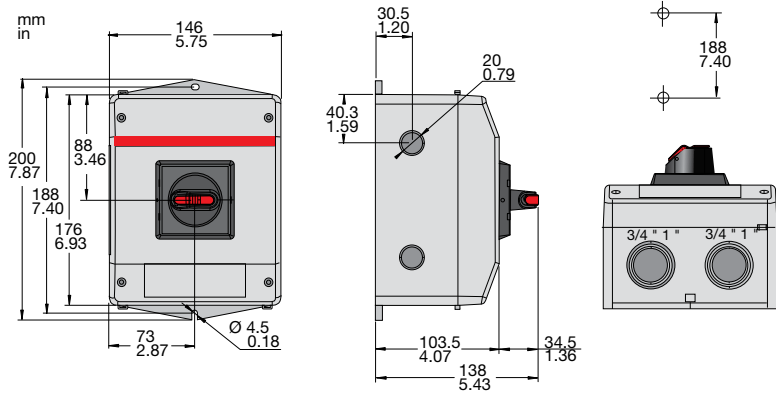
### eOT16\_ - eOT45U

Disconnect  
switches  
Non-fusible  
Enclosed

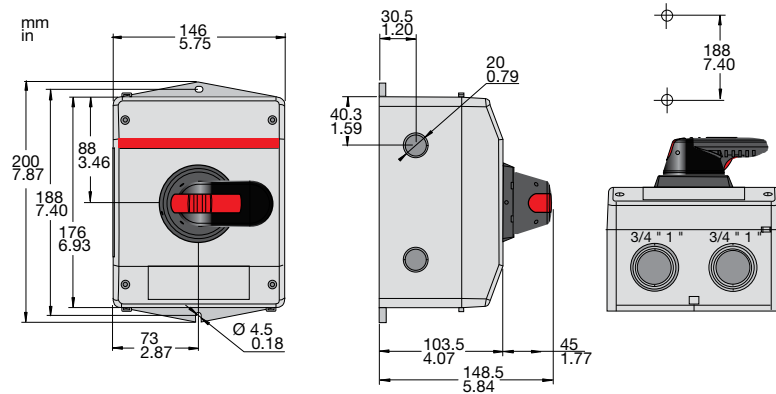
#### eOT16\_, eOT32\_ (enclosure size 1)



#### eOT45U\_ (enclosure size 2 with selector handle)



#### eOT45U\_ (enclosure size 2 with pistol grip handle)

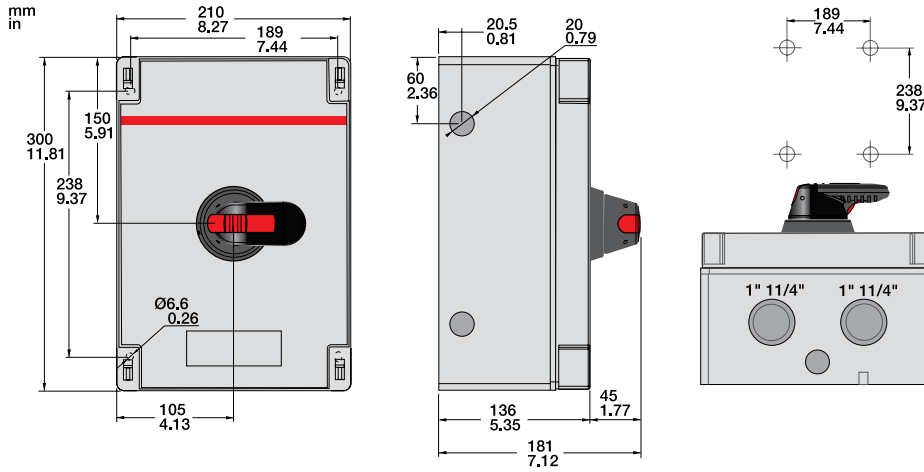


Disconnect  
switches  
Non-fusible  
Enclosed

## eOT Enclosed manual motor controllers

Approximate dimensions  
eOT63\_

eOT63\_ (enclosure size 3 with pistol grip handle)



# General information

## Non-fusible, fusible & lockable

Disconnect  
switches  
Non-fusible  
Enclosed

### Non-Fusible

UL Listed to UL 508 and UL 98.  
CSA approved  
IEC rated  
CE marked

Snap on accessories include additional poles, auxiliary contacts, etc.

Enclosures available in plastic, metal, or stainless steel in NEMA 1, 3R, 12, 4X, 7 & 9 environmental categories



Modern appearance

Quick make, quick brake mechanism

Heavy duty disconnect, 600VAC

Extremely compact size

Finger-proof construction. No hazardous exposed parts

3/4/6/8 pole constructions; transfer switches and by-pass switches available

### Fusible

UL Listed to UL 98 standards.  
CSA approved  
IEC rated  
CE marked

Snap on accessories include fuse monitors, auxiliary contacts, etc.

Enclosures available in plastic, metal, or stainless steel in NEMA 1, 3R, 12, 4X, 7 & 9 environmental categories

Fuse carriers available for US standards, BS, DIN, NFC standard and for various high speed fuse patterns



Modern appearance

Quick make, quick brake mechanism

Heavy duty disconnect, 600VAC, 200kA, I<sub>SC</sub>

Extreme compact size as fuse carriers are decked above contacts

Double contacts enabling feed from any direction and preventing back feed

Finger-proof construction. No hazardous exposed parts

3/4/6/8 pole constructions; transfer switches and by-pass switches available

### Lockable

Clear position indications:  
I-ON  
O-OFF

Door interlocked when handle padlocked to OFF position

Handle padlockable with up to three padlocks



Door interlocked when handle is in ON position. Door interlock can be defeated by authorized personnel.

Pilot devices can be added



**Disconnect  
switches**  
Non-fusible  
Enclosed

## General information

### Non-fusible, 16A - 3150A

#### Switch ratings, 16 – 3150 Amps, 600V

UL General purpose amp rating	Maximum horsepower rating							Wire size for terminal lugs	For wire type	Approval
	Single phase			Three phase						
	120V	200V	240V	200V – 208V	240V	480V	600V			
UL 508 ↑ 16 25 40	1	2	2	3	5	10	10	#18 – 8	Cu	CSA, UL
	1.5	3	3	7.5	7.5	15	20	#18 – 8	Cu	CSA, UL
	2	5	5	10	10	20	25	#18 – 8	Cu	CSA, UL
UL 98 ↑ 60 80 30 60 100 125 200 400 600 800 1200 1600 2000 3150 ① ↓	2	5	5	15	15	30	30	#14 – 1	Cu	CSA, UL
	2	5	5	20	20	40	40	#14 – 1	Cu	CSA, UL
	2	5	5	10	10	20	30	#14 – 4	Cu	CSA, UL
	3	7.5	7.5	20	20	40	40	#14 – 4	Cu	CSA, UL
	5	15	15	25	30	50	50	#8 – 1/0	Cu	CSA, UL
	7.5	20	20	30	30	75	100	#8 – 1/0	Cu	CSA, UL
	—	—	—	60	75	150	200	#6 – 300 kcmil	Cu	CSA, UL
	—	—	—	100	125	250	350	#2 – 600 kcmil	Cu	CSA, UL
	—	—	—	150	200	400	500	(2) #2 – 600 kcmil	Cu	CSA, UL
	—	—	—	200	250	500	600	(2) #2 – 600 kcmil	Cu/Al	CSA, UL
	—	—	—	—	—	—	—	(4) #2 – 600 kcmil	Cu/Al	CSA, UL
	—	—	—	—	—	—	—	(4) #2 – 600 kcmil	Cu/Al	CSA, UL
—	—	—	—	—	—	—	(8) #2 – 600 kcmil	Cu/Al	CSA, UL	
—	—	—	—	—	—	—	(8) #2 – 600 kcmil	Cu/Al	IEC	

#### Handle ratings, 16 – 3150 Amps, 600V

Amperage range	Style type	NEMA	Color	Marking	Defeatable	Padlockable	Catalog number suffix	Catalog number	
16 – 100	Selector	1,3R,12	Black	O/I & OFF/ON	Yes	Yes	BJ	OHBS2AJ	
	Selector	1,3R,12	Red/Yel				YJ	OHYS2AJ	
	Pistol	1,3R,12	Black				B6	OHBS65J6	
	Pistol	1,3R,12	Red/Yel				Y6	OHYS65J6	
	Pistol	1,3R,4,4X,12	Black				B6	OHBS65L6	
	Pistol	1,3R,4,4X,12	Red/Yel				Y6	OHYS65L6	
125 - 200	Pistol	1,3R,12	Black	O/I & OFF/ON	Yes	Yes	B6	OHB65J6	
		1,3R,12	Red/Yel				Y6	OHY65J6	
		1,3R,4,4X,12	Black				B8	OHB80L6	
		1,3R,4,4X,12	Red/Yel				Y8	OHY80L6	
400 – 3150	Pistol	1,3R,12	Black	O/I & OFF/ON	Yes	Yes	B4	OHB145J12	
		1,3R,12	Red/Yel				Y4	OHY145J12	
		1,3R,12	Black				B7	OHB175J12	
		1,3R,12	Red/Yel				Y7	OHY175J12	
		1,3R,4,4X,12	Black				B4	OHB145L12	
		1,3R,4,4X,12	Red/Yel				Y4	OHY145L12	
		1,3R,4,4X,12	Black				B7	OHB175L12	
		1,3R,4,4X,12	Red/Yel				Y7	OHY175L12	
1,3R,4,4X,12	Metal	8	YASDA-8						
16 – 200	Pistol	1,3R,12	Black	I/O/II	Yes	Yes	B8	OHB80J6E011	
		1,3R,4,4X,12						OHB80L6E011	
400	Pistol	1,3R,12	Black	I/O/II	Yes	Yes	B4	OHB145J12E011	
		1,3R,4,4X,12						OHB145L12E011	
400 – 3150	Pistol	1,3R,12	Black	I/O/II	Yes	Yes	B7	OHB175J12E011	
	Pistol	1,3R,4,4X,12						OHB175L12E011	
	Metallic	1,3R,4,4X,12						21	YASDA-21
	Metallic	1,3R,4,4X,12						6	YASDA-6

① IEC rated only.

# General information

## Fusible, 30A – 800A

Disconnect  
switches  
Fusible  
Enclosed

### Switch ratings

UL general purpose amp rating	Maximum horsepower rating								Wire size for terminal lugs	For wire type	Approval ①
	Single phase				Three phase						
	120V	200V	240V	200V	208V	240V	480V	600V			
30	2	3	5	5	7.5	7.5	15	20	#18 – 8	Cu	CSA, UL
60	3	7.5	10	15	15	15	30	50	#14 – 4	Cu	CSA, UL
100	5	10	15	25	25	30	60	75	#14 – 2/0	Cu/Al	CSA, UL
200	—	—	—	50	50	60	125	150	#6 – 300 kcmil	Cu/Al	CSA, UL
400	—	—	—	100	125	125	250	350	#2 – 600 kcmil	Cu/Al	CSA, UL
600	—	—	—	150	150	200	400	500	(2) #2 – 600 kcmil	Cu/Al	CSA, UL
800	—	—	—	200	200	250	500	600	(2) #2 – 600 kcmil	Cu/Al	CSA, UL

### Handle ratings

Amperage range	Style type	NEMA	Color	Marking	Defeatable	Padlockable	Catalog number suffix	Catalog number
30	Selector	1,3R,12	Black	O/I & OFF/ON	Yes	Yes	BJ	OHBS2AJ
	Selector	1,3R,12	Red/Yel				YJ	OHYS2AJ
	Pistol	1,3R,12	Black				B6	OHBS65J6
	Pistol	1,3R,12	Red/Yel				Y6	OHYS65J6
	Pistol	1,3R,4,4X,12	Black				B6	OHBS65L6
	Pistol	1,3R,4,4X,12	Red/Yel				Y6	OHYS65L6
60 – 200	Pistol	1,3R,12	Black	O/I & OFF/ON	Yes	Yes	B6	OHBS65J6
		1,3R,12	Red/Yel				Y6	OHYS65J6
		1,3R,12	Black				B8	OHBS80J6
		1,3R,12	Red/Yel				Y8	OHYS80J6
		1,3R,4,4X,12	Black				B8	OHBS80L6
		1,3R,4,4X,12	Red/Yel				Y8	OHYS80L6
400 – 800	Pistol	1,3R,12	Black	O/I & OFF/ON	Yes	Yes	B4	OHBS145J12
		1,3R,12	Red/Yel		Yes		Y4	OHYS145J12
		1,3R,12	Black		Yes		B7	OHBS175J12
		1,3R,12	Red/Yel		Yes		Y7	OHYS175J12
		1,3R 4,4X,12	Black		Yes		B4	OHBS145L12
		1,3R,4,4X,12	Red/Yel		Yes		Y4	OHYS145L12
		1,3R 4,4X,12	Black		Yes		B7	OHBS175L12
		1,3R,4,4X,12	Red/Yel		Yes		Y7	OHYS175L12
		1,3R,4,4X,12	Metal		No		8	YASDA-8
30	Pistol	1,3R,12	Black	I/O/II	Yes	Yes	B6	OHBS65J6E011
		1,3R,4,4X,12						OHBS65L6E011
60 – 200	Pistol	1,3R,12	Black	I/O/II	Yes	Yes	B8	OHBS80J6E011
		1,3R,4,4X,12						OHBS80L6E011
400 – 800	Pistol	1,3R,12	Black	I/O/II	Yes	Yes	B4	OHBS145J12E011
	Pistol	1,3R,4,4X,12	Black		Yes		B4	OHBS145L12E011
	Pistol	1,3R,12	Black		Yes		B7	OHBS175J12E011
	Pistol	1,3R,4,4X,12	Black		Yes		B7	OHBS175L12E011
	Metallic	1,3R,4,4X,12	Metal		No		21	YASDA-21
	Metallic	1,3R,4,4X,12	Metal		No		6	YASDA-6

① Fusible switches are UL listed to the UL98 standard.

**Disconnect  
switches**  
Non-fusible  
Enclosed

**3 pole**  
**16A – 3150A**



NF32X-3PB6C



NF63X-3PB6A

**3 Pole, 600V, 16A – 80A**  
**Selector handle**

		NEMA Enclosure type							
		1		3R		4		4X Stainless	
UL general purpose amp rating		Catalog number	List price	Catalog number	List price	Catalog number	List price	Catalog number	List price
UL 508		16	NF161-3PBJC	\$ 185	NF163-3PBJC	\$ 259	Not available with selector handle	Not available with selector handle	
		25	NF251-3PBJC	190	NF253-3PBJC	264			
		40	NF321-3PBJC	205	NF323-3PBJC	279			
		60	NF451-3PBJB	245	NF453-3PBJB	320			
		80	NF631-3PBJA	280	NF633-3PBJA	354			

**3 Pole, 600V, 16A – 3150A**  
**Pistol handle**

		NEMA Enclosure type								
		1		3R		4		4X Stainless		
UL general purpose amp rating		Catalog number	List price	Catalog number	List price	Catalog number	List price	Catalog number	List price	
UL 508		16	NF161-3PB6C	\$ 235	NF163-3PB6C	\$ 309	NF164-3PB6A	\$ 475	NF16X-3PB6C ②	\$ 585
		25	NF251-3PB6C	240	NF253-3PB6C	314	NF254-3PB6A	480	NF25X-3PB6C ②	590
		40	NF321-3PB6C	255	NF323-3PB6C	329	NF324-3PB6A	495	NF32X-3PB6C ②	605
		60	NF451-3PB6B	295	NF453-3PB6B	370	NF454-3PB6B	525	NF45X-3PB6B	635
		80	NF631-3PB6A	330	NF633-3PB6A	404	NF634-3PB6A	550	NF63X-3PB6A	660
UL 98		30	NF301-3PB6C	510	NF303-3PB6C	780	NF304-3PB6C	1,090	NF30X-3PB6C	1,200
		60	NF601-3PB6C	560	NF603-3PB6C	830	NF604-3PB6C	1,140	NF60X-3PB6C	1,250
		100	NF1001-3PB6B	610	NF1003-3PB6B	880	NF1004-3PB6B	1,190	NF100X-3PB6B	1,300
		125	NF1251-3PB6A	1,100	NF1253-3PB6A	1,400	NF1254-3PB8A	2,800	NF125X-3PB8A	3,500
		200	NF2001-3PB8B	1,300	NF2003-3PB8B	1,650	NF2004-3PB8B	3,520	NF200X-3PB8B	4,400
		400	NF4001-3PB4B	2,600	NF4003-3PB4B	2,800	NF4004-3PB4B	6,400	NF400X-3PB4B	8,000
		600	NF6001-3PB7B	4,800	NF6003-3PB7B	5,000	NF6004-3PB7B	9,600	NF600X-3PB7B	12,000
		800	NF8001-3PB4A	8,000	NF8003-3PB4A	9,400	NF8004-3PB4A	15,200	NF800X-3PB4A	19,000
		1200	NF12001-3PB4A	10,000	NF12003-3PB4A	11,800	NF12004-3PB4A	18,000	NF1200X-3PB4A	22,500
		1600	NF16001-3P8A	19,000	NF16003-3P8A	20,800	NF16004-3P8A	30,400	NF1600X-3P8A	38,000
2000	NF20001-3P8A	23,000	NF20003-3P8A	25,000	NF20004-3P8A	35,200	NF2000X-3P8A	44,000		
3150 ①	NF31501-3P8A	28,000	NF31503-3P8A	30,000	NF31504-3P8A	39,200	NF3150X-3P8A	49,000		

**NOTE:** All enclosed switches are provided with a black handle; however, most handles can be substituted with a red and yellow handle if desired. Please substitute the handle suffix code (2nd and 3rd from last characters) with the red/yellow handle catalog number suffix from page 18.130. There is no additional price adder for changing to a red/yellow handle of equal ratings and style.

**EXAMPLE:** A red/yellow selector handle for an NF161-3PBJA can be substituted for the black selector handle by using the "YJ" suffix instead of the "BJ" suffix, new catalog #NF161-3PYJA.

① IEC rated only.  
② New Washdown.

# 3 pole 16A – 3150A

Disconnect  
switches  
Non-fusible  
Enclosed



NF25P-3PY6A

## 3 Pole, 600V, 16A – 80A Selector handle

UL general purpose amp rating		NEMA Enclosure type					
		12 Plastic		12		7 & 9	
		Catalog number	List price	Catalog number	List price	Catalog number	List price
UL 508	16	NF16P-3PBJA	\$ 295	NF162-3PBJC	\$ 259	—	—
	16, oversized	—	—	—	—	—	—
	25	NF25P-3PBJA	300	NF252-3PBJC	264	—	—
	25, oversized	—	—	—	—	—	—
	40	NF32P-3PBJA	315	NF322-3PBJC	279	—	—
	40, oversized	—	—	—	—	—	—
	60	NF45P-3PBJB	350	NF452-3PBJB	320	—	—
	80	NF63P-3PBJA	380	NF632-3PBJA	354	—	—

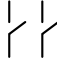
## 3 Pole, 600V, 16A – 3150A Pistol handle

UL general purpose amp rating		NEMA Enclosure type					
		4X Plastic		12		7 & 9	
		Catalog number	List price	Catalog number	List price	Catalog number	List price
UL 508	16	NF16P-3PB6A	\$ 345	NF162-3PB6C	\$ 309	NF167-3P	\$ 1,900
	25	NF25P-3PB6A	350	NF252-3PB6C	314	NF257-3P	1,925
	40	NF32P-3PB6A	365	NF322-3PB6C	329	NF327-3P	1,950
	60	NF45P-3PB6B	400	NF452-3PB6B	370	NF457-3P	3,600
	80	NF63P-3PB6A	430	NF632-3PB6A	400	NF637-3P	3,630
UL 98	30	NF30P-3PB6B	875	NF302-3PB6B	780	NF307-3P	4,150
	60	NF60P-3PB6B	925	NF602-3PB6C	830	NF607-3P	4,200
	100	NF100P-3PB6B	975	NF1002-3PB6B	880	NF1007-3P	4,250
	125	NF125P-3PB8A	3,000	NF1252-3PB6A	1,400	—	—
	200	NF200P-3PB8B	4,000	NF2002-3PB8B	1,600	—	—
	400	NF400P-3PB4B	6,000	NF4002-3PB4B	2,900	—	—
	600	NF600P-3PB7B	10,000	NF6002-3PB7B	5,100	—	—
	800	NF800P-3PB4A	16,000	NF8002-3PB4A	8,400	—	—
	1200	NF1200P-3PB4A	19,000	NF12002-3PB4A	10,400	—	—
	1600	—	—	NF16002-3P8A	19,400	—	—
	2000	—	—	NF20002-3P8A	23,400	—	—
	3150	—	—	NF31502-3P8A	28,400	—	—

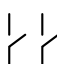
**Disconnect  
switches**  
Non-fusible  
Enclosed

## 2 pole ① 125A – 3150A

### 2 Pole, 600V, 125A – 3150A

		NEMA Enclosure type								
		1		3R		4		4X Stainless		
UL general purpose amp rating		Catalog number	List price	Catalog number	List price	Catalog number	List price	Catalog number	List price	
UL 98		125	NF1251-2PB6A	\$ 825	NF1253-2PB6A	\$ 1,050	NF1254-2PB8A	\$ 2,100	NF125X-2PB8A	\$ 2,625
		200	NF2001-2PB8C	1,170	NF2003-2PB8C	1,485	NF2004-2PB8C	3,170	NF200X-2PB8C	3,960
		400	NF4001-2PB4C	2,340	NF4003-2PB4C	2,520	NF4004-2PB4C	5,750	NF400X-2PB4C	7,200
		600	NF6001-2PB7B	4,320	NF6003-2PB7B	4,500	NF6004-2PB7B	8,640	NF600X-2PB7B	10,800
		800	NF8001-2PB4A	7,200	NF8003-2PB4A	8,460	NF8004-2PB4A	13,680	NF800X-2PB4A	17,100
		1200	NF12001-2PB4A	9,000	NF12003-2PB4A	10,620	NF12004-2PB4A	16,200	NF1200X-2PB4A	20,250
		1600	NF16001-2P8A	17,100	NF16003-2P8A	18,720	NF16004-2P8A	27,360	NF1600X-2P8A	34,200
		2000	NF20001-2P8A	20,700	NF20003-2P8A	22,500	NF20004-2P8A	31,680	NF2000X-2P8A	39,600
		3150	NF31501-2P8A	25,200	NF31503-2P8A	27,000	NF31504-2P8A	35,280	NF3150X-2P8A	44,100

### 2 Pole, 600V, 125A – 3150A

		NEMA Enclosure type				
		4X Plastic		12		
UL general purpose amp rating		Catalog number	List price	Catalog number	List price	
UL 98		125	NF125P-2PB8A	\$ 2,250	NF1252-2PB6A	\$ 1,050
		200	NF200P-2PB8C	3,600	NF2002-2PB8C	1,440
		400	NF400P-2PB4C	5,400	NF4002-2PB4C	2,610
		600	NF600P-2PB7B	9,000	NF6002-2PB7B	4,590
		800	NF800P-2PB4A	14,400	NF8002-2PB4A	7,560
		1200	NF1200P-2PB4A	17,100	NF12002-2PB4A	9,360
		1600	—	—	NF16002-2P8A	17,460
		2000	—	—	NF20002-2P8A	21,060
		3150 ①	—	—	NF31502-2P8A	25,560

① 16A – 100A switches are not available in 2 pole versions; use 3 pole.

# 4 pole 16A – 3150A

Disconnect  
switches  
Non-fusible  
Enclosed

## 4 Pole, 600V, 16A – 3150A

UL general purpose amp rating		NEMA Enclosure type								
		1		3R		4		4X Stainless		
		Catalog number	List price	Catalog number	List price	Catalog number	List price	Catalog number	List price	
UL508		16	NF161-4PB6C	\$ 295	NF163-4PB6C	\$ 369	NF164-4PB6A	\$ 530	NF16X-4PB6C	\$ 665
		25	NF251-4PB6C	300	NF253-4PB6C	374	NF254-4PB6A	535	NF25X-4PB6C	670
		40	NF321-4PB6C	321	NF323-4PB6C	384	NF324-4PB6A	545	NF32X-4PB6C	680
UL98		60	NF451-4PB6B	360	NF453-4PB6B	434	NF454-4PB6B	570	NF45X-4PB6B	700
		80	NF631-4PB6A	410	NF633-4PB6A	484	NF634-4PB6A	595	NF63X-4PB6A	740
		30	NF301-4PB6B	650	NF303-4PB6B	988	NF304-4PB6B	1,200	NF30X-4PB6B	1,525
		60	NF601-4PB6B	700	NF603-4PB6B	1,038	NF604-4PB6B	1,250	NF60X-4PB6B	1,575
		100	NF1001-4PB6B	750	NF1003-4PB6B	1,088	NF1004-4PB6B	1,300	NF100X-4PB6B	1,625
		125	NF1251-4PB6A	1,375	NF1253-4PB6A	1,675	NF1254-4PB6A	3,500	NF125X-4PB8A	4,375
		200	NF2001-4PB8B	1,625	NF2003-4PB8B	2,063	NF2004-4PB8B	4,400	NF200X-4PB8B	5,500
		400	NF4001-4PB4B	3,250	NF4003-4PB4B	3,500	NF4004-4PB4B	8,000	NF400X-4PB4B	10,000
		600	NF6001-4PB7B	6,000	NF6003-4PB7B	6,250	NF6004-4PB7B	12,000	NF600X-4PB7B	15,000
		800	NF8001-4PB4A	10,000	NF8003-4PB4A	11,750	NF8004-4PB4A	19,000	NF800X-4PB4A	23,750
		1200	NF12001-4PB4A	12,500	NF12003-4PB4A	14,750	NF12004-4PB4A	22,500	NF1200X-4PB4A	28,125
		1600	NF16001-4P8A	23,750	NF16003-4P8A	26,000	NF16004-4P8A	38,800	NF1600X-4P8A	47,500
		2000	NF20001-4P8A	28,750	NF20003-4P8A	31,250	NF20004-4P8A	44,000	NF2000X-4P8A	55,000
		3150 ①	NF31501-4P8A	35,000	NF31503-4P8A	37,500	NF31504-4P8A	49,000	NF3150X-4P8A	61,250

## 4 Pole, 600V, 16A – 3150A

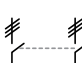

UL general purpose amp rating		NEMA Enclosure type						
		4X Plastic		12		7 & 9		
		Catalog number	List price	Catalog number	List price	Catalog number	List price	
UL508		16	NF16P-4PB6A	\$ 405	NF162-4PB6C	\$ 369	NF167-4P	\$ 2,025
		25	NF25P-4PB6A	410	NF252-4PB6C	374	NF257-4P	2,050
		40	NF32P-4PB6A	420	NF322-4PB6C	384	NF327-4P	2,075
UL98		60	NF45P-4PB6B	465	NF452-4PB6B	434	NF457-4P	3,700
		80	NF63P-4PB6A	510	NF632-4PB6A	484	NF637-4P	3,730
		30	NF30P-4PB6B	1,100	NF302-4PB6B	925	NF307-4P	4,300
		60	NF60P-4PB6B	1,150	NF602-4PB6B	975	NF607-4P	4,350
		100	NF100P-4PB6B	1,200	NF1002-4PB6B	1,025	NF1007-4P	4,400
		125	NF125P-4PB8A	3,750	NF1252-4PB6A	1,750	—	—
		200	NF200P-4PB8B	5,000	NF2002-4PB8B	2,000	—	—
		400	NF400P-4PB4B	7,500	NF4002-4PB4B	3,625	—	—
		600	NF600P-4PB7B	12,500	NF6002-4PB7B	6,375	—	—
		800	NF800P-4PB4A	20,000	NF8002-4PB4A	10,500	—	—
		1200	NF1200P-4PB4A	23,750	NF12002-4PB4A	13,000	—	—
		1600	—	—	NF16002-4P8A	24,250	—	—
		2000	—	—	NF20002-4P8A	29,240	—	—
		3150	—	—	NF31502-4P8A	35,500	—	—

① IEC rated only.

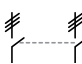
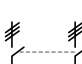
**Disconnect  
switches  
Non-fusible  
Enclosed**

# 6 pole 16A – 1200A

## 6 Pole, 600V, 16A – 1200A

UL general purpose amp rating ①		NEMA Enclosure type							
		1		3R		4		4X Stainless	
		Catalog number	List price	Catalog number	List price	Catalog number	List price	Catalog number	List price
UL508 	16	NF161-6PB6C	\$ 580	NF163-6PB6C	\$ 728	NF164-6PB6A	\$ 1,080	NF16X-6PB6C	\$ 1,350
	25	NF251-6PB6C	590	NF253-6PB6C	738	NF254-6PB6A	1,090	NF25X-6PB6C	1,360
	40	NF321-6PB6C	610	NF323-6PB6C	758	NF324-6PB6A	1,110	NF32X-6PB6C	1,380
UL98 	60	NF451-6PB6B	690	NF453-6PB6B	838	NF454-6PB6B	1,140	NF45X-6PB6B	1,430
	80	NF631-6PB6A	770	NF633-6PB6A	918	NF634-6PB6A	1,185	NF63X-6PB6A	1,480
	30	NF301-6PB6B	1,230	NF303-6PB6B	1,770	NF304-6PB6B	2,110	NF30X-6PB6B	2,660
	60	NF601-6PB6C	850	NF603-6PB6B	1,820	NF604-6PB6B	2,160	NF60X-6PB6B	2,710
	100	NF1001-6PB6B	1,330	NF1003-6PB6B	1,870	NF1004-6PB6B	2,210	NF100X-6PB6B	2,760
	125	NF1251-6PB2A	2,200	NF1253-6PB2A	3,280	NF1254-6PB4A	5,600	NF125X-6PB4A	7,000
	200	NF2001-6PB4B	2,950	NF2003-6PB4B	3,650	NF2004-6PB4B	7,320	NF200X-6PB4B	9,150
	400	NF4001-6PB8B	5,860	NF4003-6PB8B	5,960	NF4004-6PB8B	13,090	NF400X-6P8B	16,360
	600	NF6001-6PB8B	9,960	NF6003-6PB8B	10,360	NF6004-6PB8B	19,490	NF600X-6P8B	16,360
	800	NF8001-6PB8A	16,360	NF8003-6PB4A	19,800	NF8004-6PB4A	30,690	NF800X-6P8A	38,360
	1200	NF12001-6P8A	20,360	NF12003-6PB4A	23,960	NF12004-6P8A	36,290	NF1200X-6P8A	45,360

## 6 Pole, 600V, 16A – 1200A

UL general purpose amp rating		NEMA Enclosure type							
		4X Plastic		12		7 & 9		IP65 Plastic	
		Catalog number	List price	Catalog number	List price	Catalog number	List price	Catalog number	List price
UL508 	16	NF16P-6PB6A	\$ 800	NF162-6PB6C	\$ 728	NF167-6P	\$ 3,750	NF16E-6PB6B	\$ 410
	25	NF25P-6PB6A	810	NF252-6PB6C	738	NF257-6P	3,775	NF25E-6PB6B	420
	40	NF32P-6PB6A	830	NF322-6PB6C	758	NF327-6P	3,800	NF32E-6PB6B	450
UL98 	60	NF45P-6PB6B	930	NF452-6PB6B	838	NF457-6P	4,275	NF45E-6PB6B	520
	80	NF63P-6PB6A	1,030	NF632-6PB6A	918	NF637-6P	4,325	NF63E-6PB6B	770
	30	NF30P-6PB6B	1,900	NF302-6PB6B	1,670	—	—	NF30E-6PB6B	1,230
	60	NF60P-6PB6B	1,950	NF602-6PB6B	1,720	—	—	NF60E-6PB6B	1,280
	100	NF100P-6PB6B	2,000	NF1002-6PB6B	1,770	—	—	NF100E-6PB6B	1,330
	125	NF125P-6PB4A	6,000	NF1252-6PB4A	2,800	—	—	—	—
	200	NF200P-6PB4B	8,350	NF2002-6PB4B	3,550	—	—	—	—
	400	NF400P-6P8B	12,360	NF4002-6P8B	6,160	—	—	—	—
	600	NF600P-6P8B	20,360	NF6002-6P8B	10,560	—	—	—	—
	800	NF800P-6P8A	32,360	NF8002-6P8A	17,800	—	—	—	—
	1200	NF1200P-6P8A	38,360	NF12002-6P8A	21,800	—	—	—	—

①  = Three poles



# 3 pole double throw 16A – 1200A

Disconnect  
switches  
Non-fusible  
Enclosed

## 3 Pole, 600V, 16A – 1200A

		NEMA Enclosure type								
		1		3R		4		4X Stainless		
UL general purpose amp rating		Catalog number	List price	Catalog number	List price	Catalog number	List price	Catalog number	List price	
UL508		16	NF161-3TB8C	\$ 760	NF163-3TB8C	\$ 908	NF164-3TB8C	\$ 1,200	NF16X-3TB8C	\$ 1,850
		25	NF251-3TB8C	770	NF253-3TB8C	918	NF254-3TB8C	1,230	NF25X-3TB8C	1,880
		40	NF321-3TB8C	790	NF323-3TB8C	954	NF324-3TB8C	1,260	NF32X-3TB8C	1,950
UL98		60	NF451-3TB8B	870	NF453-3TB8B	1,018	NF454-3TB8B	1,340	NF45X-3TB8B	3,500
		80	NF631-3TB8A	950	NF633-3TB8A	1,098	NF634-3TB8A	1,420	NF63X-3TB8A	3,600
		30	NF301-3TB8B	1,410	NF303-3TB8B	1,830	NF304-3TB8B	2,400	NF30X-3TB8B	3,900
		60	NF601-3TB8B	1,460	NF603-3TB8B	1,880	NF604-3TB8B	2,450	NF60X-3TB8B	3,950
		100	NF1001-3TB8B	1,510	NF1003-3TB8B	1,930	NF1004-3TB8B	2,500	NF100X-3TB8B	4,000
		125	NF1251-3TB8A	2,380	NF1253-3TB8A	2,980	NF1254-3TB8A	3,500	NF125X-3TB8A	5,000
		200	NF2001-3TB4B	3,150	NF2003-3TB4B	3,850	NF2004-3TB4B	7,480	NF200X-3TB4B	9,350
		400	NF4001-3TB4B	5,960	NF4003-3TB4B	6,160	NF4004-3TB4B	13,250	NF400X-3TB4B	16,560
		600	NF6001-3TB4A	10,260	NF6003-3TB4B	10,660	NF6004-3TB4A	19,730	NF600X-3TB4A	24,660
		800	NF8001-3TB4A	16,660	NF8003-3TB4A	19,460	NF8004-3TB4A	30,920	NF800X-3TB4A	38,660
1200	NF12001-3TB4A	20,660	NF12003-3TB4A	24,260	NF12004-3TB4A	36,530	NF1200X-3TB4A	45,660		

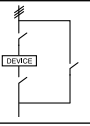
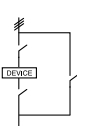
## 3 Pole, 600V, 16A – 1200A

		NEMA Enclosure type				
		4X Plastic		12		
UL general purpose amp rating		Catalog number	List price	Catalog number	List price	
UL508		16	NF16P-3TB8A	\$ 1,000	NF162-3TB8C	\$ 908
		25	NF25P-3TB8A	1,040	NF252-3TB8C	918
		40	NF32P-3TB8A	1,100	NF322-3TB8C	938
UL98		60	NF45P-3TB8B	1,180	NF452-3TB8B	1,018
		80	NF63P-3TB8A	1,260	NF632-3TB8A	1,098
		30	NF30P-3TB8B	2,000	NF302-3TB8B	1,730
		60	NF60P-3TB8B	2,050	NF602-3TB8B	1,830
		100	NF100P-3TB8B	2,100	NF1002-3TB8B	1,930
		125	NF125P-3TB8A	3,200	NF1252-3TB8A	2,980
		200	NF200P-3TB4B	8,550	NF2002-3TB4B	3,750
		400	NF400P-3TB4B	12,560	NF4002-3TB4B	6,460
		600	NF600P-3TB4A	20,660	NF6002-3TB4A	10,760
		800	NF800P-3TB4A	32,660	NF8002-3TB4A	17,460
1200	NF1200P-3TB4A	38,660	NF12002-3TB4A	21,460		

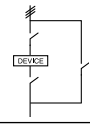
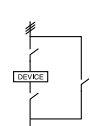
**Disconnect  
switches**  
Non-fusible  
Enclosed

## 3 pole bypass 16A – 1200A

### 3 Pole, 600V, 16A – 1200A

UL general purpose amp rating		NEMA Enclosure type								
		1		3R		4		4X Stainless		
		Catalog number	List price	Catalog number	List price	Catalog number	List price	Catalog number	List price	
UL508		16	NF161-3BB8A	\$ 1,045	NF163-3BB8A	\$ 1,267	NF164-3BB8A	\$ 1,480	NF16X-3BB8A	\$ 3,740
		25	NF251-3BB8A	1,060	NF253-3BB8A	1,282	NF254-3BB8A	1,540	NF25X-3BB8A	3,820
		40	NF321-3BB8A	1,090	NF323-3BB8A	1,297	NF324-3BB8A	1,600	NF32X-3BB8A	3,900
		60	NF451-3BB8B	1,215	NF453-3BB8B	1,312	NF454-3BB8B	1,750	NF45X-3BB8B	4,050
UL98		80	NF631-3BB8A	1,340	NF633-3BB8A	1,432	NF634-3BB8A	1,850	NF63X-3BB8A	4,150
		30	NF301-3BB8B	1,970	NF303-3BB8B	2,300	NF304-3BB8B	2,800	NF30X-3BB8B	4,800
		60	NF601-3BB8B	2,070	NF603-3BB8B	2,400	NF604-3BB8B	2,900	NF60X-3BB8B	4,900
		100	NF1001-3BB8B	2,170	NF1003-3BB8B	2,500	NF1004-3BB8B	3,000	NF100X-3BB8B	5,000
		125	—	—	—	—	—	—	—	—
		200	—	—	—	—	—	—	—	—
		400	NF4001-3B6B	8,460	NF4003-3B6B	9,060	NF4004-3B6B	19,750	NF400X-3B6B	24,660
		600	NF6001-3B6B	15,060	NF6003-3B6B	15,660	NF6004-3B6B	29,330	NF600X-3B6B	36,660
		800	NF8001-3B6A	24,660	NF8003-3B6A	28,860	NF8004-3B6A	46,130	NF800X-3B6A	57,660
		1200	NF12001-3B6A	30,660	NF12003-3B6A	30,060	NF12004-3B6A	55,040	NF1200X-3B6A	68,800

### 3 Pole, 600V, 16A – 1200A


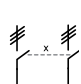
UL general purpose amp rating		NEMA Enclosure type				
		4X Plastic		12		
		Catalog number	List price	Catalog number	List price	
UL508		16	NF16P-3BB8A	\$ 1,300	NF162-3BB8A	\$ 1,267
		25	NF25P-3BB8A	1,325	NF252-3BB8A	1,282
		40	NF32P-3BB8A	1,350	NF322-3BB8A	1,297
		60	NF45P-3BB8B	1,420	NF452-3BB8B	1,312
UL98		80	NF63P-3BB8A	1,550	NF632-3BB8A	1,432
		30	NF30P-3BB8B	2,400	NF302-3BB8B	2,300
		60	NF60P-3BB8B	2,500	NF602-3BB8B	2,400
		100	NF100P-3BB8B	2,600	NF1002-3BB8B	2,500
		125	—	—	—	—
		200	—	—	—	—
		400	NF400P-3B6B	18,660	NF4002-3B6B	9,360
		600	NF600P-3B6B	30,660	NF6002-3B6B	15,960
		800	NF800P-3B6A	48,660	NF8002-3B6A	25,860
		1200	NF1200P-3B6A	57,660	NF12002-3B6A	31,860

# 3 pole mechanically interlocked 16A – 1200A

Disconnect  
switches  
Non-fusible  
Enclosed

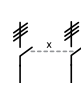

## 3 Pole, 600V, 16A – 1200A

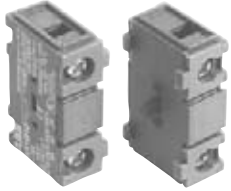
NEMA Enclosure type

UL general purpose amp rating	1		3R		4		4X Stainless	
	Catalog number	List price	Catalog number	List price	Catalog number	List price	Catalog number	List price
UL508 	16	NF161-3MB6A <b>\$ 640</b>	NF163-3MB6A <b>\$ 788</b>	NF164-3MB6A <b>\$ 1,120</b>	NF16X-3MB6A <b>\$ 1,410</b>			
	25	NF251-3MB6A <b>650</b>	NF253-3MB6A <b>798</b>	NF254-3MB6A <b>1,160</b>	NF25X-3MB6A <b>1,420</b>			
	40	NF321-3MB6A <b>670</b>	NF323-3MB6A <b>818</b>	NF324-3MB6A <b>1,170</b>	NF32X-3MB6A <b>1,440</b>			
UL98 	60	NF451-3MB6B <b>750</b>	NF453-3MB6B <b>908</b>	NF454-3MB6B <b>1,200</b>	NF45X-3MB6B <b>1,490</b>			
	80	NF631-3MB6A <b>830</b>	NF633-3MB6A <b>978</b>	NF634-3MB6A <b>1,245</b>	NF63X-3MB6A <b>1,540</b>			
	30	NF301-3MB6B <b>1,290</b>	NF303-3MB6B <b>1,830</b>	NF304-3MB6B <b>2,170</b>	NF30X-3MB6B <b>2,700</b>			
	60	NF601-3MB6B <b>1,340</b>	NF603-3MB6B <b>1,880</b>	NF604-3MB6B <b>2,210</b>	NF60X-3MB6B <b>2,770</b>			
	100	NF1001-3MB6B <b>1,390</b>	NF1003-3MB6B <b>1,930</b>	NF1004-3MB6B <b>2,270</b>	NF100X-3MB6B <b>2,800</b>			
	125	NF1251-3MB6A <b>2,260</b>	NF1253-3MB6A <b>2,860</b>	NF1254-3MB8A <b>5,660</b>	NF125X-3MB8A <b>7,060</b>			
	200	NF2001-3MB8B <b>3,010</b>	NF2003-3MB8B <b>3,710</b>	NF2004-3MB8B <b>7,380</b>	NF200X-3MB8B <b>9,210</b>			
	400	NF4001-3MB4B <b>5,920</b>	NF4003-3MB4B <b>6,030</b>	NF4004-3MB4B <b>13,150</b>	NF400X-3MB4B <b>16,420</b>			
	600	NF6001-3MB4B <b>10,020</b>	NF6003-3MB4B <b>10,420</b>	NF6004-3MB4B <b>19,550</b>	NF600X-3MB4B <b>24,420</b>			
	800	NF8001-3MB4A <b>16,420</b>	NF8003-3MB4A <b>19,860</b>	NF8004-3MB4A <b>30,750</b>	NF800X-3MB4A <b>38,420</b>			
1200	NF12001-3MB4A <b>20,420</b>	NF12003-3MB4A <b>24,020</b>	NF12004-3MB4A <b>36,350</b>	NF1200X-3MB4A <b>45,420</b>				

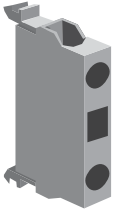
## 3 Pole, 600V, 16A – 1200A

NEMA Enclosure type

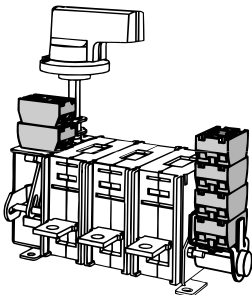
UL general purpose amp rating	4X Plastic		12	
	Catalog number	List price	Catalog number	List price
UL508 	16	NF16P-3MB6A <b>\$ 860</b>	NF162-3MB6A <b>\$ 788</b>	NF162-3MB6A <b>\$ 788</b>
	25	NF25P-3MB6A <b>870</b>	NF252-3MB6A <b>798</b>	NF252-3MB6A <b>798</b>
	40	NF32P-3MB6A <b>890</b>	NF322-3MB6A <b>818</b>	NF322-3MB6A <b>818</b>
UL98 	60	NF45P-3MB6B <b>990</b>	NF452-3MB6B <b>908</b>	NF452-3MB6B <b>908</b>
	80	NF63P-3MB6A <b>1,090</b>	NF632-3MB6A <b>978</b>	NF632-3MB6A <b>978</b>
	30	NF30P-3MB6B <b>1,900</b>	NF302-3MB6B <b>1,830</b>	NF302-3MB6B <b>1,830</b>
	60	NF60P-3MB6B <b>1,950</b>	NF602-3MB6B <b>1,880</b>	NF602-3MB6B <b>1,880</b>
	100	NF100P-3MB6B <b>2,000</b>	NF1002-3MB6B <b>1,930</b>	NF1002-3MB6B <b>1,930</b>
	125	NF125P-3MB8A <b>6,000</b>	NF1252-6PB6A <b>2,860</b>	NF1252-6PB6A <b>2,860</b>
	200	NF200P-3MB8B <b>8,350</b>	NF2002-3MB8B <b>3,710</b>	NF2002-3MB8B <b>3,710</b>
	400	NF400P-3MB4B <b>12,360</b>	NF4002-3MB4B <b>6,030</b>	NF4002-3MB4B <b>6,030</b>
	600	NF600P-3MB4B <b>20,360</b>	NF6002-3MB4B <b>10,420</b>	NF6002-3MB4B <b>10,420</b>
	800	NF800P-3MB4A <b>32,360</b>	NF8002-3MB4A <b>19,860</b>	NF8002-3MB4A <b>19,860</b>
1200	NF1200P-3MB4A <b>38,360</b>	NF12002-3MB4A <b>24,020</b>	NF12002-3MB4A <b>24,020</b>	



OA1G\_



OBEA\_



OZXK\_



3 Position selector switch



Pilot light

Auxiliary contacts

For use on:	Contact configuration	Catalog number	Installation suffix	Installed list price adder
16A – 100A	1 N.O.	OA1G10	add "10" suffix	<b>\$ 30</b>
	1 N.C.	OA1G01	add "01" suffix	<b>30</b>
	1 N.O. & 1 N.C.	OA1G11	add "11" suffix	<b>60</b>
125A	1 N.O.	OBEA-10	add "10" suffix	<b>50</b>
	1 N.C.	OBEA-01	add "01" suffix	<b>50</b>
200A – 600A	1 N.O.	OA1G10	add "10" suffix	<b>30</b>
	1 N.C.	OA3G01	add "01" suffix	<b>30</b>
800A – 3150A	1 N.O. & 1 N.C.	OZXK-1	add "11" suffix	<b>130</b>
	2 N.O. & 2 N.C.	OZXK-2	add "22" suffix	<b>200</b>

Accessories ①

For use on:	Description	Installation suffix	Installed list price adder
OT16, 25,32 OT45, 63 OT30, 60, 100 OT160	Neutral or isolated ground block	N or G	<b>\$ 30</b>
	Neutral or isolated ground block	N or G	<b>54</b>
	Neutral or isolated ground block	N or G	<b>75</b>
	Neutral or isolated ground block	N or G	<b>150</b>
	Neutral block	N	<b>210</b>
200A – 1200A 1600A – 3150A	Neutral block	N	<b>350</b>
	Neutral block	N	<b>350</b>
30A – 1200A 30A – 1200A	Service entrance, 3 wire	U	<b>100</b>
	Service entrance, 4 wire	V	<b>200</b>
16A – 3150A	Start/stop pushbuttons	A	<b>68</b>
	2 position selector switch	C	<b>68</b>
	3 position selector switch	D	<b>78</b>
	Pilot light "red/run"	E	<b>110</b>
	Ammeter 1 phase ②	AM	<b>940</b>
	Voltmeter ②	VM	<b>2300</b>

① Please consult factory for special customer requirements.

② Current transformers included.

# 3 Pole 30A – 800A

Disconnect  
switches  
Fusible  
Enclosed



FJ30X-3PB6B

## 3 Pole, 600V, 30A – 800A ①

NEMA Enclosure type

UL general purpose amp rating	Fuse type	1		3R		4		4X Stainless		
		Catalog number	List price	Catalog number	List price	Catalog number	List price	Catalog number	List price	
	30	J	FJ301-3PB6B	<b>\$ 560</b>	FJ303-3PB6B	<b>\$ 600</b>	FJ304-3PB6B	<b>\$ 1,100</b>	FJ30X-3PB6B	<b>\$ 1,400</b>
	30	CC	FC301-3PB6B		FC303-3PB6B		FC304-3PB6B		FC30X-3PB6B	
	60	J <sup>②</sup>	FJ601-3PB6B	<b>660</b>	FJ603-3PB6B	<b>860</b>	FJ604-3PB6B	<b>1,300</b>	FJ60X-3PB6B	<b>1,800</b>
	100	J <sup>②</sup>	FJ1001-3PB8B	<b>960</b>	FJ1003-3PB8B	<b>1,140</b>	FJ1004-3PB8B	<b>2,800</b>	FJ100X-3PB8B	<b>3,800</b>
	200	J <sup>②</sup>	FJ2001-3PB8C	<b>2,200</b>	FJ2003-3PB8C	<b>2,400</b>	FJ2004-3PB8C	<b>3,900</b>	FJ200X-3PB8C	<b>5,000</b>
	400	J <sup>②</sup>	FJ4001-3PB4C	<b>3,800</b>	FJ4003-3PB4C	<b>4,200</b>	FJ4004-3PB4C	<b>7,700</b>	FJ400X-3PB4B	<b>10,800</b>
	600	J <sup>②</sup>	FJ6001-3PB7C	<b>5,300</b>	FJ6003-3PB7C	<b>6,800</b>	FJ6004-3PB7C	<b>11,000</b>	FJ600X-3PB7C	<b>16,000</b>
	800	L	FL8001-3PB4B	<b>9,500</b>	FL8003-3PB4B	<b>11,200</b>	FL8004-3PB4B	<b>16,000</b>	FL800X-3PB4B	<b>21,000</b>

## 3 Pole, 600V, 30A – 800A ①

NEMA Enclosure type

UL general purpose amp rating	Fuse type	4X Plastic		12		
		Catalog number	List price	Catalog number	List price	
	30	J	FJ30P-3PB6B	<b>\$ 1,040</b>	FJ302-3PB6B	<b>\$ 600</b>
	30	CC	FC30P-3PB6B		FC302-3PB6B	
	60	J <sup>②</sup>	FJ60P-3PB8B	<b>1,300</b>	FJ602-3PB6B	<b>860</b>
	100	J <sup>②</sup>	FJ100P-3PB8B	<b>2,800</b>	FJ1002-3PB8B	<b>1,140</b>
	200	J <sup>②</sup>	FJ200P-3PB8C	<b>4,400</b>	FJ2002-3PB8C	<b>2,400</b>
	400	J <sup>②</sup>	FJ400P-3PB4C	<b>8,400</b>	FJ4002-3PB4C	<b>4,200</b>
	600	J <sup>②</sup>	FJ600P-3PB7C	<b>13,600</b>	FJ6002-3PB7C	<b>6,200</b>
	800	L	FL800P-3PB4B	<b>17,400</b>	FL8002-3PB4B	<b>9,800</b>

NOTE: All enclosed switches are provided with a black handle; however, most handles can be substituted with a red / yellow handle if desired. Please substitute the handle suffix code (2nd and 3rd from last characters) with the red/yellow handle catalog number suffix from page 18.130. There is no additional price adder for changing to a red/yellow handle of equal ratings and style.

EXAMPLE: A red/yellow pistol handle for an FJ301-3PB6B can be substituted for the black pistol handle by using the "Y6" suffix instead of the "B6" suffix, new catalog number: FJ301-3PY6B.

① Fusible switches are UL listed to the UL98 standard.

Disconnect  
switches  
Fusible  
Enclosed

## 2 & 4 Pole 30A – 800A

### 2 Pole, 600V, 30A – 800A

UL general purpose amp rating		Fuse type	NEMA Enclosure type							
			1		3R		4		4X Stainless	
			Catalog number	List price	Catalog number	List price	Catalog number	List price	Catalog number	List price
	30	J	—	—	—	—	—	—	—	—
	30	CC	—	—	—	—	—	—	—	—
	60	J	—	—	—	—	—	—	—	—
	100	J	FJ1001-2PB8B	\$ 864	FJ1003-2PB8B	\$ 1,026	FJ1004-2PB8B	\$ 2,735	FJ100X-2PB8B	\$ 3,420
	200	J	FJ2001-2PB8C	1,980	FJ2003-2PB8C	2,160	FJ2004-2PB8C	3,600	FJ200X-2PB8C	4,500
	400	J	FJ4001-2PB4C	3,420	FJ4003-2PB4C	3,780	FJ4004-2PB4C	7,775	FJ400X-2PB4C	9,720
	600	J	FJ6001-2PB7C	4,770	FJ6003-2PB7C	6,120	FJ6004-2PB7C	11,520	FJ600X-2PB7C	14,400
	800	L	FL8001-2PB4B	8,550	FL8003-2PB4B	10,080	FL8004-2PB4B	15,120	FL800X-2PB4B	18,900

UL general purpose amp rating		Fuse type	NEMA Enclosure type			
			4X Plastic		12	
			Catalog number	List price	Catalog number	List price
	30	J	—	—	—	—
	30	CC	—	—	—	—
	60	J	—	—	—	—
	100	J	FJ100P-2PB8B	\$ 2,520	FJ1002-2PB8B	\$ 1,026
	200	J	FJ200P-2PB8C	3,960	FJ2002-2PB8C	2,160
	400	J	FJ400P-2PB4C	7,560	FJ4002-2PB4C	3,780
	600	J	FJ600P-2PB7C	12,240	FJ6002-2PB7C	5,580
	800	L	FL800P-2PB4B	15,660	FL8002-2PB4B	8,820

### 4 Pole, 600V, 30A – 800A

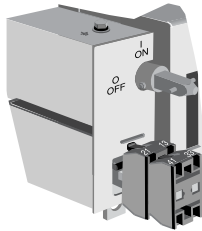
UL general purpose amp rating		Fuse type	NEMA Enclosure type							
			1		3R		4		4X Stainless	
			Catalog number	List price	Catalog number	List price	Catalog number	List price	Catalog number	List price
	30	J	FJ301-4PB6B	\$ 700	FJ303-4PB6B	\$ 750	FJ304-4PB6B	\$ 1,375	FJ30X-4PB6B	\$ 1,750
	30	CC	FC301-4PB6B		FC303-4PB6B		FC304-4PB6B		FC30X-4PB6B	
	60	J	FJ601-4PB6B	825	FJ603-4PB6B	1,075	FJ604-4PB8B	1,800	FJ60X-4PB8B	2,250
	100	J	FJ1001-4PB8B	1,200	FJ1003-4PB8B	1,425	FJ1004-4PB8B	3,800	FJ100X-4PB8B	4,750
	200	J	FJ2001-4PB8C	2,750	FJ2003-4PB8C	3,000	FJ2004-4PB8C	5,000	FJ200X-4PB8C	6,250
	400	J	FJ4001-4PB4C	4,750	FJ4003-4PB4C	5,250	FJ4004-4PB4C	10,800	FJ400X-4PB4C	13,500
	600	J	FJ6001-4PB7C	6,625	FJ6003-4PB7C	8,500	FJ6004-4PB7C	16,000	FJ600X-4PB7C	20,000
	800	L	FL8001-4PB4B	11,875	FL8003-4PB4B	14,000	FL8004-4PB4B	21,000	FL800X-4PB4B	26,250

UL general purpose amp rating		Fuse type	NEMA Enclosure type			
			4X Plastic		12	
			Catalog number	List price	Catalog number	List price
	30	J	FJ30P-4PB6B	\$ 1,300	FJ302-4PB6B	\$ 750
	30	CC	FC30P-4PB6B		FC302-4PB6B	
	60	J	FJ60P-4PB8B	1,625	FJ602-4PB6B	1,075
	100	J	FJ100P-4PB8B	3,500	FJ1002-4PB8B	1,425
	200	J	FJ200P-4PB8C	5,500	FJ2002-4PB8C	3,000
	400	J	FJ400P-4PB4C	10,500	FJ4002-4PB4C	5,250
	600	J	FJ600P-4PB7C	17,000	FJ6002-4PB7C	7,750
	800	L	FL800P-4PB4B	21,750	FL8002-4PB4B	12,250

18



OESA-ZX157



OZXK-1  
OZXK-2



3 Position selection switch



Pilot light

## Auxiliary contacts

For use on:	Contact configuration	Catalog number	Installation suffix	Installed list price adder
30A	1 N.O. + 1 N. C. 2 N.O. + 2 N.C.	OA4B1C	add "11" suffix add "22" suffix	<b>\$ 40</b> <b>40</b>
60A – 600A	1 N.O. 1 N.C.	OA1G10 OA3G01	add "10" suffix add "01" suffix	<b>20</b>
800A	1 N.O. & 1 N.C. 2 N.O. & 2 N.C.	OZXK-1 OZXK-2	add "11" suffix add "22" suffix	<b>100</b> <b>170</b>

## Accessories ①②

For use on:	Description	Installation suffix	Installed list price adder
30A	Neutral block	N	<b>\$ 40</b>
60A – 100A	Neutral block	N	<b>50</b>
200A – 400A	Neutral block	N	<b>150</b>
600A – 800A	Neutral block	N	<b>160</b>
30A – 200A	Service entrance, 3 wire Service entrance, 4 wire	U V	<b>75</b> <b>125</b>
400A – 800A	Service entrance, 3 wire Service entrance, 4 wire	U V	<b>150</b> <b>200</b>
30A – 800A	Start/stop pushbuttons 2 position selector switch 3 position selector switch Pilot light "red/run" Ammeter 1 phase ③ Voltmeter ③	A C D E AM VM	<b>68</b> <b>68</b> <b>78</b> <b>110</b> <b>940</b> <b>2300</b>

① Additional accessories can be found on pages 18.83 – 18.95.

② Please consult factory for special customer requirements.

③ Current transformers included.





## Selecting switches per NEC

### Selecting switches per NEC

Article 430 of the US National Electric Code includes two methods for properly sizing disconnect switches:

#### 1. Single motor application

A properly sized disconnect switch for a single motor will:

- a) have an ampere rating greater than or equal to 115 percent of the rated motor full load current; or,
- b) have a HP rating greater than or equal to the rated motor HP (at applied voltage) if the disconnect switch under consideration is HP rated.

#### 2. Combination load application

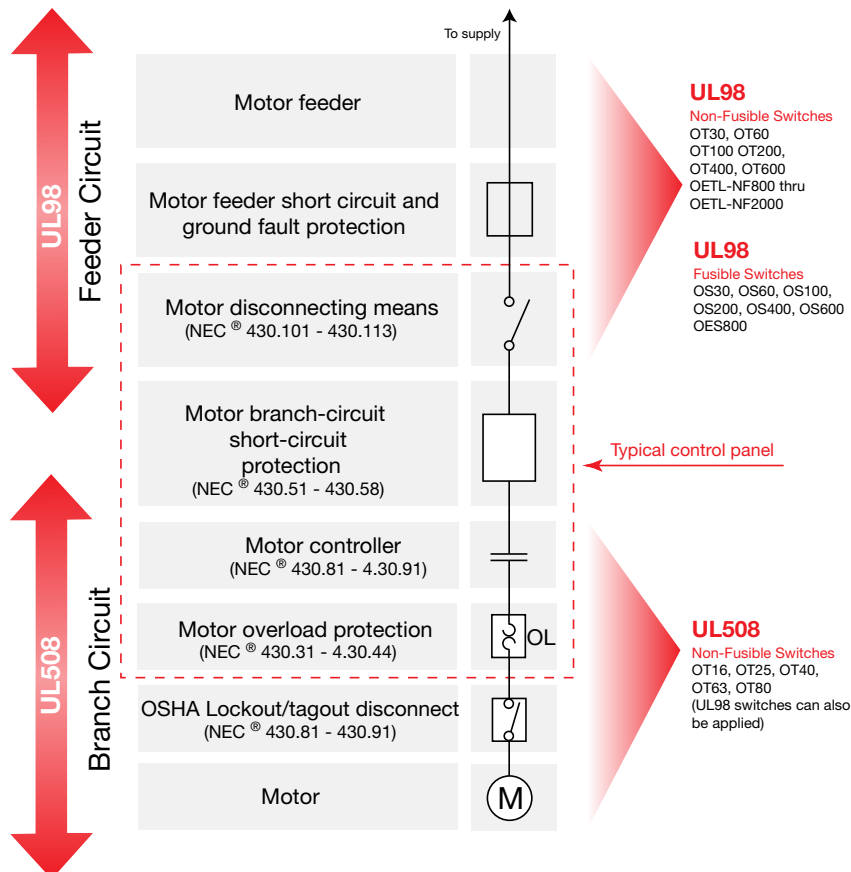
A properly sized disconnect switch for a combination load will be selected by adding all the simultaneous individual loads in the circuit under consideration.

Using motor nameplate information, load information, and tables from section 430 of the NEC, determine one equivalent full load current and one equivalent locked rotor current. The equivalent locked rotor current can be used with table 430-151 to determine an equivalent HP rating. Select a disconnect switch:

- a) greater than or equal to 115 percent of the equivalent full load current; and,
- b) greater than or equal to the equivalent HP rating.

## Use of UL98 & UL508 Disconnects

According to *NEC*® Article 430



# Technical data

## OT16F3 – OT100F3

### UL & CSA

### UL & CSA

Catalog number	3 pole	OT16F3	OT25F3	OT40F3	OT63F3	OT80F3	OT30F3	OT60F3	OT100F3
Approvals <sup>①</sup>	2 pole 3 pole 4 pole	N/A UL508 & IEC UL508 & IEC	N/A UL508 & IEC UL508 & IEC	N/A UL508 & IEC UL508 & IEC	N/A UL508 & IEC UL508 & IEC	N/A UL508 & IEC UL508 & IEC	N/A UL98 & IEC UL98 & IEC	N/A UL98 & IEC UL98 & IEC	N/A UL98 & IEC UL98 & IEC
<b>General purpose amp rating</b> -40° to 40°C pf = 0.7 – 0.8	<b>A</b>	<b>20</b>	<b>30</b>	<b>40</b>	<b>60</b>	<b>80</b>	<b>30</b>	<b>60</b>	<b>100</b>
Max. operating voltage	V	600	600	600	600	600	600	600	600
<b>Max. horsepower rating/motor FLA current,</b> pf = 0.4 – 0.5 Three phase									
240V	HP/A	5/15.2	7.5/22.0	10/28.0	15/42.0	20/54.0	10/28.0	20/54.0	30/80.0
480V	HP/A	10/14.0	15/21.0	20/27.0	30/40.0	40/52.0	20/27.0	40/52.0	50/65.0
600V	HP/A	10/11.0	20/22.0	25/27.0	30/32.0	40/41.0	30/32.0	40/41.0	50/52.0
Single phase									
120V	HP/A	1/16	1.5/20	3/24	2/24.0	2/24.0	2/24.0	3/34.0	5/56.0
240V	HP/A	2/13.2	3/18.7	5/30.8	7.5/40.0	10/57.5	5/28.0	7.5/40.0	15/68.0
<b>Short circuit rating with fuse</b>									
Fuse type CC	kA	10	10	10	100	100	50	50	50
Fuse type J	kA	10	10	10	100	100	50	50	50
Fuse type T	kA	10	10	10	100	100	50	50	50
Fuse type RK1	kA	10	10	10	10	10	10	10	10
Fuse type RK5	kA	5	5	5	10	10	5	5	5
Fuse type L	kA	—	—	—	—	—	—	—	—
Fuse type H	kA	—	—	—	—	5	5	—	—
Maximum fuse size	A	30	60 <sup>④</sup>	30	60 <sup>④</sup>	100	150	60	150
3 cycle short circuit current withstand rating <sup>③</sup>	kA	—	—	—	—	—	—	—	—
<b>Endurances</b>									
Min. Electrical endurance, pf = 0.75 – 0.80	operation cycles	6000	6000	6000	6000	6000	6000	6000	6000
Min. Electrical endurance, pf = 0.40 – 0.50	operation cycles	1000	1000	1000	1000	1000	②	②	②
Mechanical endurance	operations	20,000	20,000	20,000	20,000	20,000	20,000	20,000	20,000
<b>Physical characteristics</b>									
Weight, switches	3 pole lb	0.24	0.24	0.24	0.59	0.59	0.79	0.79	0.79
	4 pole lb	0.33	0.33	0.33	0.77	0.77	1.10	1.10	1.10
Dimension, switches	3 pole H in	2.68	2.68	2.68	3.60	3.60	3.94	3.94	3.94
	W in	1.38	1.38	1.38	2.07	2.07	2.76	2.76	2.76
	D in	2.20	2.20	2.20	2.85	2.85	2.95	2.95	2.95
Shaft set screw tightening torque	lb. in.	8.9	8.9	8.9	8.9	8.9	8.9	8.9	8.9
Shaft size — square □	in	.24 x .24	.24 x .24	.24 x .24	.24 x .24	.24 x .24	.24 x .24	.24 x .24	.24 x .24
	mm	6 x 6	6 x 6	6 x 6	6 x 6	6 x 6	6 x 6	6 x 6	6 x 6
Switch operating torque for rotary 3 pole switches	lb. in.	8.8	8.8	8.8	10.5	10.5	17.5	17.5	17.5
<b>Terminal lug kits</b>									
Wire range	AWG	#18 – 8	#18 – 8	#18 – 8	#14 – 4	#14 – 4	#14 – 4	#14 – 4	#8 – 1/0
Torque:									
Wire tightening	lb. in.	7	7	7	18	18	55	55	55
Lug mounting	lb. in.	Integral	Integral	Integral	Integral	Integral	Integral	Integral	Integral
<b>Auxiliary contacts</b>									
NEMA ratings, AC		OA1G_	OA1G_	OA1G_	OA1G_	OA1G_	OA1G_	OA1G_	OA1G_
AC rated voltage	VAC	A600	A600	A600	A600	A600	A600	A600	A600
AC thermal rated current	A	10	10	10	10	10	10	10	10
AC maximum volt-ampere making	VA	7200	7200	7200	7200	7200	7200	7200	7200
AC maximum volt-ampere breaking	VA	720	720	720	720	720	720	720	720
NEMA ratings, DC		R300	R300	R300	R300	R300	R300	R300	R300
DC rated voltage	VDC	300	300	300	300	300	300	300	300
DC thermal rated current	A	1	1	1	1	1	1	1	1
DC maximum make-break	VA	28	28	28	28	28	28	28	28
Torque: Wire tightening	lb. in	7	7	7	7	7	7	7	7
Wire range	AWG	#18 – 14	#18 – 14	#18 – 14	#18 – 14	#18 – 14	#18 – 14	#18 – 14	#18 – 14

① UL Listed switches are also CSA Approved.

② UL98 overload test, 50 operations, pf 0.40 – 0.50 at 2x FLA.

③ Multi-tap lug available, please see pg. 18.24 and 18.27.

④ Fuse size 70A for RK5

⑤ When protected by any Listed fuse or Listed circuit breaker whose current rating does not exceed the maximum thermal current rating of the switch.

# Technical data

## OT200U03 – OETL-NF3150

### UL & CSA

Disconnect  
switches  
Technical  
data

### UL & CSA

Catalog number	3 pole	OT200U03	OT400U03	OT600U03	OETL-NF800A	OETL-NF1200	OETL-NF1600	OETL-NF2000	OETL-NF3150 ⑤
Approvals <sup>①</sup>	2 pole 3 pole 4 pole	UL98 & IEC UL98 & IEC UL98 & IEC	UL98 & IEC UL98 & IEC UL98 & IEC	UL98 & IEC UL98 & IEC UL98 & IEC	UL98 & IEC UL98 & IEC IEC	UL98 & IEC UL98 & IEC IEC	UL98 & IEC UL98 & IEC IEC	UL98 & IEC UL98 & IEC IEC	IEC IEC IEC
<b>General purpose amp rating</b> pf = 0.7 – 0.8	-40° to 40°C <b>A</b>	<b>200</b>	<b>400</b>	<b>600</b>	<b>800</b>	<b>1200</b>	<b>1600</b>	<b>2000</b>	<b>3150</b>
Max. operating voltage	V	600	600	600	600	600	600	480	—
Max. horsepower rating/Max. motor FLA current, pf = 0.4 – 0.5 Three phase									
	240V HP/A	75/192.0	125/312.0	200/480.0	250/602.0	—	—	—	—
	480V HP/A	150/180.0	250/302.0	450/515	500/590.0	—	—	—	—
	600V HP/A	200/192.0	350/336.0	500/472.0	600/576	—	—	—	—
Single phase	120V HP/A	—	—	—	—	—	—	—	—
	240V HP/A	—	—	—	—	—	—	—	—
Short circuit rating with fuse									
Fuse type CC	kA	—	—	—	—	—	—	—	—
Fuse type J	kA	100	100	—/100	—	—	—	—	—
Fuse type T	kA	—	—	100/—	—	—	—	—	—
Fuse type RK1	kA	—	—	—	—	—	—	—	—
Fuse type RK5	kA	—	—	100	—	—	—	—	—
Fuse type L	kA	—	—	—/100	100	100	100	100	—
Fuse type H	kA	—	—	—/100	—	—	—	—	—
Maximum fuse size	A	350	600	600/800	1200	1200	2000	2000	—
3 cycle short circuit current withstand rating ②	kA	15	30	50	50	50	65	65	—
Endurances									
Min. Electrical endurance, pf = 0.75 – 0.80 operation cycles		6000	1000	1000	500	500	500	500	400
Min. Electrical endurance, pf = 0.40 – 0.50 operation cycles		②	②	②	②	②	②	②	②
Mechanical endurance operations		20,000	20,000	10,000	10,000	10,000	6000	6000	6000
Physical characteristics									
Weight, switches 3 pole	lb	2.9	5.7	11.4	35.9	38.55	127.7	127.7	127.7
4 pole	lb	3.5	6.8	14.3	45.15	49.56	149.7	149.7	149.7
Dimension, switches 3 pole	H in	6.69	8.66	9.84	14.65	14.65	21.5	21.5	21.5
	W in	6.67	8.70	10.48	14.25	14.25	18.11	18.11	18.11
	D in	3.27	4.15	5.47	4.92	4.92	10.67	10.67	10.67
Shaft set screw tightening torque	lb. in.	14 - 17.7	—	—	—	—	—	—	—
Shaft size — square □	in	.24 x .24	.47 x .47	.47 x .47	.47 x .47	.47 x .47	.47 x .47	.47 x .47	.47 x .47
	mm	6 x 6	12 x 12	12 x 12	12 x 12	12 x 12	12 x 12	12 x 12	12 x 12
Switch operating torque for rotary 3 pole switches	lb. in.	62	142	184	184	184	438	438	438
Terminal lug kits									
Wire range	AWG	OZXA-200 #4-300kcmil <sup>③</sup>	OZXA-400 #2-600kcmil <sup>③</sup>	OZXA-800 (2)#2-600kcmil <sup>③</sup>	OZXA-30 (2)#2-600kcmil <sup>③</sup>	OZXA-28 (4)#2-600kcmil	OZXA-28 (4)#2-600kcmil	OZXA-28/2 (8)#2-600kcmil	OZXA-28/2 (8)#2-600kcmil
Torque:									
Wire tightening	lb. in.	200	375	375	375	375	375	375	375
Lug mounting	lb. in.	72	240	240	230	230	230	230	230
Auxiliary contacts									
NEMA ratings, AC		OA_G_ A600	OA_G_ A600	OA_G_ A600	OZXC-__ A600	OZXC-__ A600	OZXC-__ A600	OZXC-__ A600	OZXC-__ A600
AC rated voltage	VAC	600	600	600	600	600	600	600	600
AC thermal rated current	A	10	10	10	10	10	10	10	10
AC maximum volt-ampere making	VA	7200	7200	7200	7200	7200	7200	7200	7200
AC maximum volt-ampere breaking	VA	720	720	720	720	720	720	720	720
NEMA ratings, DC		P600	P600	P600	P600	P600	P600	P600	P600
DC rated voltage	VDC	600	600	600	600	600	600	600	600
DC thermal rated current	A	5	5	5	5	5	5	5	5
DC maximum make-break	VA	138	138	138	138	138	138	138	138
Torque: Wire tightening	lb. in	7	7	7	7	7	7	7	7
Wire range	AWG	#22 – #14	#22 – #14	#22 – #14	#22 – #14	#22 – #14	#22 – #14	#22 – #14	#22 – #14

① UL Listed switches are also CSA Approved.  
 ② UL98 overload test, 50 operations, pf 0.40 – 0.50 at 2x FLA.  
 ③ Multi-tap lug available, please see pg. 18.24 and 18.27.  
 ④ Fuse size 70A for RK5  
 ⑤ IEC rated only.  
 ⑥ When protected by any Listed fuse or Listed circuit breaker whose current rating does not exceed the maximum thermal current rating of the switch.

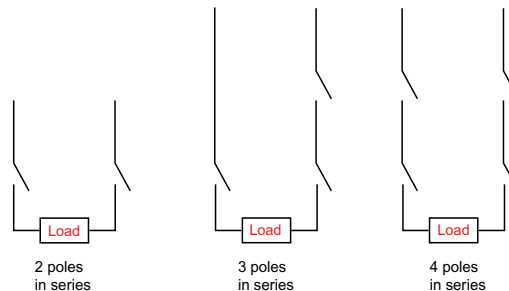
# Technical data

## OT16F3 – OT100F3

### IEC

### IEC

Catalog number	3 pole	OT16F3	OT25F3	OT40F3	OT63F3	OT80F3	OT30F3	OT60F3	OT100F3	
Rated insulation and operation voltage, AC20 and DC20	40°C V	750	750	750	750	750	750	750	750	
Rated impulse withstand voltage	kV	8	8	8	8	8	8	8	8	
<b>Rated thermal current, I<sub>th</sub></b>										
AC 20/DC 20	open ①	A	25	32	40	63	80	40	63	115
	40°C enclosed	A	25	32	40	63	80	40	63	115
	60°C enclosed	A	25	32	40	63	80	40	63	115
<b>Rated operational currents</b>										
AC 21A	≤500V	A	<b>16</b>	<b>25</b>	<b>40</b>	<b>63</b>	<b>80</b>	<b>30</b>	<b>60</b>	<b>100</b>
	≤690V	A	16	25	40	63	80	40	63	100
	≤1000V	A	—	—	—	—	—	—	—	—
AC 22A	≤500V	A	16	25	40	63	80	40	63	100
	≤690V	A	16	25	40	63	80	40	63	100
	≤1000V	A	—	—	—	—	—	—	—	—
AC 23A	≤415V	A	16	20	23	45	75	40	63	80
	≤500V	A	16	20	23	45	58	40	60	60
	≤690V	A	10	11	12	20	20	40	40	40
	≤1000V	A	—	—	—	—	—	—	—	—
<b>Rated operational currents/poles in series</b>										
DC21A	48V	A	16/1	25/1	32/1	45/1	63/1	40/1	63/1	100/1
	110V	A	16/2	25/2	32/2	45/2	63/2	40/2	63/2	100/2
	220V	A	16/3	25/3	32/3	45/4	63/4	40/4	63/4	100/4
	440V	A	16/4	25/6	32/6	③	③	③	③	③
	750V	A	16/8	25/8	32/8	③	③	③	③	③
DC22A	48V	A	16/1	25/1	32/1	45/1	63/1	40/1	63/1	100/1
	110V	A	16/2	25/2	32/2	45/2	63/2	40/2	63/2	100/2
	220V	A	16/3	25/3	32/4	45/4	63/4	40/4	63/4	63/4
	440V	A	16/6	25/8	③	③	③	③	③	③
	750V	A	16/8	25/8	③	③	③	③	③	③
DC23A	48V	A	16/1	25/1	32/1	45/1	63/1	40/1	63/1	100/1
	110V	A	16/2	25/2	32/2	45/2	63/2	40/2	63/2	100/2
	220V	A	16/4	25/4	32/4	45/4	63/4	40/4	63/4	63/4
	440V	A	10/4	③	③	③	③	③	③	③
	750V	A	16/8	③	③	③	③	③	③	③
<b>Rated operational power</b>										
AC23A	230V	kW	3	4	5.5	11	22	7.5	11	22
	400/415V	kW	7.5	9	11	22	37	15	18.5	37
	500V	kW	7.5	9	11	22	37	15	18.5	37
	690V	kW	7.5	9	11	15	18.5	15	15	37
Short-circuit current	kA	50	50	50	50	50	50	50	50	
with back-up fuses of size	A	25	32	40	63	80	100	100	100	



① The ambient air temperature does not exceed +40°C and its average over a period of 24 hours does not exceed +35°C according to IEC 947.  
 ② IEC 947-3, utilization category B, infrequent operation.  
 ③ Not available at time of printing, please consult factory.

# Technical data

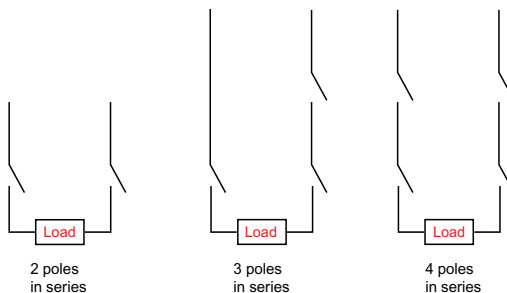
## OT200U03 – OETL-NF3150

### IEC

Disconnect  
switches  
Technical  
data

### IEC

Catalog number	3 pole	OT200U03	OT400U03	OT600U03	OETL-NF800A	OETL-NF1200	OETL-NF1600	OETL-NF2000	OETL-NF3150
Rated insulation and operational voltage, AC20 and DC20	40°C V	1000	1000	1000	1000	1000	1000	1000	1000
Rated impulse withstand voltage	kV	12	12	12	8	8	8	8	8
<b>Rated thermal current, I<sub>n</sub></b>									
AC 20/DC 20	open <sup>①</sup> A	250	400	800	1250	1600	2500	3150	
	40°C enclosed A	250	400	800	1250	1600	2300	2300	2600
	60°C enclosed A	—	—	—	1000	1250	1950	1950	2300
<b>Rated operational currents</b>									
AC 21A	≤500V A	<b>250</b>	<b>400</b>	<b>800</b>	<b>1250</b>	<b>1600</b>	<b>2500<sup>②</sup></b>	<b>2500<sup>②</sup></b>	<b>3150<sup>③</sup></b>
	≤690V A	250	400	800	1250	1600	2500 <sup>②</sup>	2500 <sup>②</sup>	3150 <sup>③</sup>
	≤1000V A	—	—	800	—	—	—	—	—
AC 22A	≤500V A	250	400	800	1250	1600	1600 <sup>②</sup>	1600 <sup>②</sup>	1600 <sup>②</sup>
	≤690V A	250	400	800	—	—	—	—	—
	≤1000V A	—	—	800	—	—	—	—	—
AC 23A	≤415V A	250	400	800	800	800	800 <sup>②</sup>	800 <sup>②</sup>	800 <sup>②</sup>
	≤500V A	250	400	800	800	800	800 <sup>②</sup>	800 <sup>②</sup>	800 <sup>②</sup>
	≤690V A	250	400	800	—	—	—	—	—
	≤1000V A	—	—	800	—	—	—	—	—
<b>Rated operational currents/poles in series</b>									
DC21A	48V A	250/1	630/2	800/2	1250/2	1600/2	2500/2	2500/2	3150/2
	110V A	250/2	630/2	800/2	1250/2	1600/2	2500/2	2500/2	3150/2
	220V A	250/2	630/2	800/2	1250/2	1600/2	2500/2	2500/2	3150/2
	440V A	250/3	630/3	800/3	1250/3	1600/3	2500/3	2500/3	3150/2
	750V A	250/4	—	—	—	—	—	—	—
DC22A	48V A	250/1	630/2	800/2	1250/2	1600/2	2500/2	2500/2	3150/2
	110V A	250/2	630/2	800/2	1250/2	1600/2	2500/2	2500/2	3150/2
	220V A	250/2	630/2	800/2	1250/2	1600/2	2500/2	2500/2	3150/2
	440V A	250/3	630/3	800/3	—	—	—	—	—
	750V A	250/4	—	—	—	—	—	—	—
DC23A	48V A	250/1	630/2	—	—	—	—	—	—
	110V A	250/2	630/2	—	—	—	—	—	—
	220V A	250/2	630/2	—	—	—	—	—	—
	440V A	250/3	—	—	—	—	—	—	—
	750V A	250/4	—	—	—	—	—	—	—
<b>Rated operational power</b>									
AC23A	230V kW	75	110	—	250	250	250	250	250
	400/415V kW	132/140	220/230	450	400	400	400	400	400
	500V kW	170	280	560	450	450	450	450	450
	690V kW	240	355	800	—	—	—	—	—
Short-circuit current	kA	100	100	100	50/50 <sup>④</sup>	50/50 <sup>④</sup>	50/63 <sup>④</sup>	50/63 <sup>④</sup>	50/63 <sup>④</sup>
with back-up fuses of size	A	400	800	800	—	—	—	—	—



- ① The ambient air temperature does not exceed +40°C and its average over a period of 24 hours does not exceed +35°C according to IEC 947.
- ② IEC 947-3, utilization category B, infrequent operation.
- ③ Not available at time of printing, please consult factory.
- ④ 690V / 500V

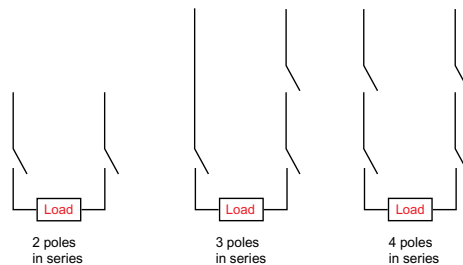
# Technical data

## OT16F3 – OT100F3

### IEC

### IEC

Catalog number	3 pole	OT16F3	OT25F3	OT40F3	OT63F3	OT80F3	OT30F3	OT60F3	OT100F3
Rated short-circuit making capacity, prospective peak value, $I_{cm}$	kA	0.7	0.7	0.7	1.4	1.4	3.6	3.6	3.6
<b>Rated short time withstand current,</b>									
RMS $I^{CW}$ 0.2s	kA	—	—	—	—	—	—	—	—
RMS $I^{CW}$ 1.0s	kA	0.5	0.5	0.5	1	1	2.5	2.5	2.5
<b>AC breaking capacity</b>									
pf = 0.35									
≤415V	A	128	160	184	240	304	320	504	640
≤500V	A	128	160	184	240	256	320	480	480
≤690V	A	80	88	96	160	160	320	320	320
<b>DC breaking capacity/poles in series</b>									
L/R = 15ms									
≤48V	A	64/1	100/1	128/1	180/1	252/1	160/1	252/1	400/1
≤110V	A	64/2	100/2	128/2	180/2	252/2	160/2	252/2	400/2
≤220V	A	64/3	100/4	128/4	180/4	180/4	160/4	252/4	252/4
≤440V	A	⓪	⓪	⓪	⓪	⓪	⓪	⓪	⓪
≤750V	A	⓪	⓪	⓪	⓪	⓪	⓪	⓪	⓪
<b>Physical characteristics</b>									
<b>Electrical endurance at rated operational current, pf = 0.65</b>									
operation cycles		3000	3000	3000	3000	3000	3000	3000	3000
<b>Mechanical endurance</b>									
operations		20,000	20,000	20,000	20,000	20,000	20,000	20,000	20,000
<b>Weight</b>									
3 pole	kg	0.11	0.11	0.11	0.27	0.27	0.36	0.36	0.36
4 pole	kg	0.15	0.15	0.15	0.35	0.35	0.5	0.5	0.5
<b>Dimension</b>									
3 pole	H mm	68	68	68	91.5	91.5	100	100	100
	W mm	35	35	35	52.5	52.5	70	70	70
	D mm	56	56	56	72.5	72.5	75	75	75
<b>Power loss per pole</b>									
	W	0.3	0.6	1	1.4	2.8	1	1.6	4
<b>Shaft size — square</b>									
	mm	6 x 6	6 x 6	6 x 6	6 x 6	6 x 6	6 x 6	6 x 6	6 x 6
<b>Switch operating torque for rotary 3 pole switches</b>									
	Nm	1	1	1	1.2	1.2	2	2	2
<b>Suitable conductor cross section Cu</b>									
	mm <sup>2</sup>	0.75 – 10	0.75 – 10	0.75 – 10	1.5 – 25	1.5 – 25	1.5 – 25	1.5 – 25	10 – 70
<b>Bolt size</b>									
		—	—	—	—	—	—	—	—
<b>Auxiliary contacts</b>									
		OA1G_	OA1G_	OA1G_	OA1G_	OA1G_	OA1G_	OA1G_	OA1G_
<b>Ratings according to IEC 947-5-1</b>									
<b>Rated voltage, U<sub>i</sub></b>									
	VAC	690	690	690	690	690	690	690	690
<b>Thermal current, I<sub>th</sub></b>									
	A	16	16	16	16	16	16	16	16
<b>AC12/DC12 I<sup>e</sup>, A U<sup>e</sup> = 120V</b>									
	A	—	—	—	—	—	—	—	—
125V	A	—	—	—	—	—	—	—	—
240V	A	6 ②	6 ②	6 ②	6 ②	6 ②	6 ②	6 ②	6 ②
250V	A	—	—	—	—	—	—	—	—
400V	A	4 ②	4 ②	4 ②	4 ②	4 ②	4 ②	4 ②	4 ②
415V	A	—	—	—	—	—	—	—	—
440V	A	—	—	—	—	—	—	—	—
480V	A	—	—	—	—	—	—	—	—
500V	A	—	—	—	—	—	—	—	—
600V	A	—	—	—	—	—	—	—	—
690V	A	2 ②	2 ②	2 ②	2 ②	2 ②	2 ②	2 ②	2 ②



① Not available at time of printing, please consult factory.  
② AC15, according to IEC947-5-1.



# Technical data

## OT200U03 – OETL-NF3150

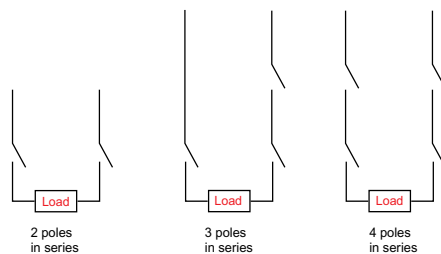
### IEC

Disconnect  
switches  
Technical  
data

### IEC

Catalog number	3 pole	OT200U03	OT400U03	OT600U03	OETL-NF800A	OETL-NF1200	OETL-NF1600	OETL-NF2000	OETL-NF3150
Rated short-circuit making capacity, prospective peak value, $I_{cm}500/690V$	kA	30	65	80	105	105	140/105	140/105	140/105
<b>Rated short time withstand current,</b>									
RMS $I_{sc}$	0.2s	kA	15	28	36	—	—	—	—
RMS $I_{sc}$	1.0s	kA	8	15	20	50 ②	50 ②	80 ②	80 ②
<b>AC breaking capacity</b>									
pf = 0.35	≤415V	A	2000	3200	5760	6400	6400	6400	6400
	≤500V	A	2000	3200	5600	6400	6400	6400	6400
	≤690V	A	2000	3200	5600	2500 ③	2500 ③	4800 ④	4800 ④
<b>DC breaking capacity/poles in series</b>									
L/R = 15ms, 3 pole in series									
	48V	A	1000/2	①	①	①	①	①	①
	110V	A	1000/2	①	①	①	①	①	①
	220V	A	1000/2	1600/2	2000/2	1900/2	2600/2	2600/2	2600/2
	440V	A	1000/3	1600	2000/3	①	①	①	①
	750V	A	1000/4	①	①	①	①	①	①
<b>Physical characteristics</b>									
Electrical endurance at rated operational current, pf = 0.65 operation cycles									
			1000	1000	1000	500	500	100 ⑤	100 ⑤
Mechanical endurance operations									
			20,000	16,000	10,000	10,000	10,000	6000	6000
Weight									
	3 pole	kg	1.2	2.2	5.2	16.3	17.5	37	37
	4 pole	kg	1.6	2.6	6.5	20.5	22.5	47	47
Dimension									
	3 pole	H mm	162	216	250	372	372	546	546
		W mm	219	260	266	363	363	468	468
		D mm	92.5	130	139	125	125	271	271
Power loss per one pole									
		W	6.5	10	40	40	67	90	140
Shaft size — square □ mm									
			6 x 6	12 x 12	12 x 12	12 x 12	12 x 12	12 x 12	12 x 12
Switch operating torque for rotary 3 pole switches									
		Nm	7	16	21	21	21	50	50
Suitable conductor cross section Cu									
		mm <sup>2</sup>	—	—	—	—	—	—	—
Bolt size									
			8 x 25	10 x 30	12 x 40	12 x 60	12 x 60	12 x 60	12 x 60
Auxiliary contacts									
			OA_G_	OA_G_	OA_G_	OZXK-__	OZXK-__	OZXK-__	OZXK-__
Ratings according to IEC 947-5-1									
Rated voltage, $U_i$ VAC									
			690	690	690	690	690	690	690
Thermal rated current, $I_{th}$ A									
			16	16	10	10	10	10	10
AC12/DC12 $I_{th}$ , A $U_{th}$ =									
	120V	A	—	—	8/—	8/—	8/—	8/—	8/—
	125V	A	—	—	—/1.1	—/1.1	—/1.1	—/1.1	—/1.1
	240V	A	6/—	6/—	6/—	6/—	6/—	6/—	6/—
	250V	A	—	—	—/0.55	—/0.55	—/0.55	—/0.55	—/0.55
	400V	A	4/—	4/—	4/—	4/—	4/—	4/—	4/—
	415V	A	—	—	4/—	4/—	4/—	4/—	4/—
	440V	A	—	—	—/0.31	—/0.31	—/0.31	—/0.31	—/0.31
	480V	A	—	—	3/—	3/—	3/—	3/—	3/—
	500V	A	—	—	3/0.27	3/0.27	3/0.27	3/0.27	3/0.27
	600V	A	—	—	—/0.2	—/0.2	—/0.2	—/0.2	2—/0.2
	690V	A	2/—	2/—	2/—	2/—	2/—	2/—	2/—

18



- ① Not available at time of printing, please consult factory.
- ② Maximum distance between busbar support and switch terminal 70mm.
- ③ pf 0.95.
- ④ pf 0.65.
- ⑤ IEC 947-3, utilization category B, infrequent operation.

# Technical data

## OS30FA\_12 – OES800L3

### UL & CSA

### UL & CSA

Catalog number	3 pole	OS30FA_12	OS60J12	OS100J03	OS200J03	OS400J03	OS600J03	OES800L3
Approvals ①	2 pole 3 pole 4 pole	N/A UL98 & IEC UL98 & IEC	N/A UL98 & IEC UL98 & IEC	IEC UL98 & IEC UL98 & IEC	UL98 & IEC UL98 & IEC UL98 & IEC	UL98 & IEC UL98 & IEC UL98 & IEC	UL98 & IEC UL98 & IEC UL98 & IEC	UL98 & IEC UL98 & IEC UL98 & IEC
<b>Technical ratings</b>	-40° to 40°C							
General purpose amp rating pf = 0.7 – 0.8	<b>A</b>	<b>30</b>	<b>60</b>	<b>100</b>	<b>200</b>	<b>400</b>	<b>600</b>	<b>800</b>
Max operating voltage	V	600	600	600	600	600	600	600
Max horsepower rating/ Max motor FLA current pf = 0.4 – 0.5								
Three phase								
240V	HP/A	7.5/22.0	15/42.0	30/80.0	60/145.0	125/312.0	200/480.0	250/602.0
480V	HP/A	15/21.0	30/40.0	60/77.0	125/156.0	250/302.0	400/477.0	500/590.0
600V	HP/A	20/22.0	50/52.0	75/77.0	150/144.0	350/336.0	500/472.0	600/ –
Single phase								
120V	HP/A	2/24.0	–	–	–	–	–	–
240V	HP/A	3/17.0	–	–	–	–	–	–
Short circuit rating with fuse	kA	200	200	200	200	200	200	100
UL Fuse size	A	30	60	100	200	400	600	800
UL Fuse type	J/CC	J	J	J/T	J/T	J	J	L
<b>Endurances</b>								
Min. Electrical endurance, pf = 0.75 – 0.80	operation cycles	6000	6000	6000	6000	1000	1000	500
Mechanical endurance	operation	20,000	20,000	20,000	20,000	12,000	10,000	7000
<b>Physical characteristics</b>								
Weight	3 pole lb 4 pole lb	1.54 1.98	2.86 3.52	3.30 3.96	5.9 7.5	12.56 15.21	28.66 37.48	37.44 46.26
Dimension	3 pole H in W in D in	3.66 4.15 4.10	3.94 5.63 5.04	5.67 7.07 5.10	6.5 7.1 5.2	9.29 10.04 6.93	12.04 13.50 9.17	10.10 14.80 9.17
Shaft size square □	in mm	.24 x .24 6 x 6	.24 x .24 6 x 6	.24 x .24 6 x 6	.24 x .24 6 x 6	.47 x .47 12 x 12	.47 x .47 12 x 12	.47 x .47 12 x 12
Switch operating torque for rotary 3 pole switches	lb. in.	26.6	35.5	70.9	195	195	248	248
<b>Terminal lug kits</b>		Integral	Integral	OZXA-24	OZXA-200	OZXA-400	OZXA-800	OZXA-27
Wire range	AWG	#18 – 8	#14 – 4	#14 – 2/0	#4 – 300kcmil	#2 – 600kcmil	(2) #2 – 600 kcmil	(2) #2 – 600 kcmil
Torque:								
Wire tightening	lb. in.	17	30	120	200	500	500	500
Lug mounting	lb. in.	N/A	N/A	50	72	480	480	480
<b>Auxiliary contacts</b>		OA4G_	OA1/3G_	OA_G_	OA_G_	OA_G_	OA_G_	OZKK_
NEMA ratings, AC		–	A600	A600	A600	A600	A600	A600
AC rated voltage	VAC	250	600	600	600	600	600	600
AC thermal rated current	A	6	10	10	10	10	10	10
AC maximum volt ampere making	VA	–	7200	7200	7200	7200	7200	7200
AC maximum volt ampere breaking	VA	–	720	720	720	720	720	720
NEMA ratings, DC		–	P300	R300	R300	P600	P600	P600
DC rated voltage	VDC	–	300	300	300	600	600	600
DC thermal rated current	A	–	1	1	1	1	7	5
DC maximum make break current	A	–	28	28	28	28	28	138
Torque:								
Wire tightening	lb. in.	7	7	7	7	7	7	7
Wire range	AWG	#22 – 14/#18 – 14	#18 – 14	#18 – 14	#18 – 14	#18 – 14	#18 – 14	#20 – 12

① The following UL Listed switches are also CSA approved.

# Technical data

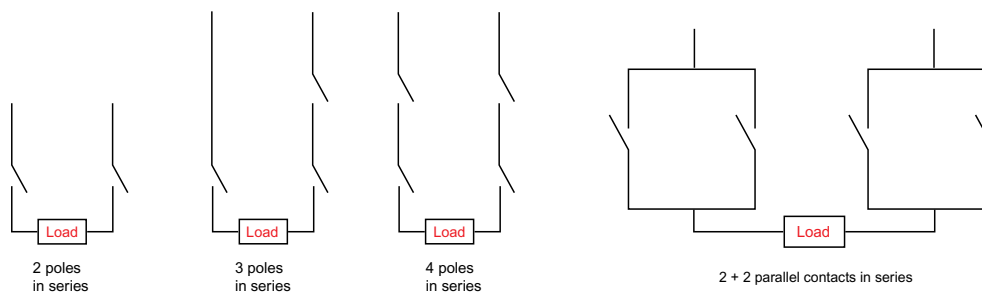
## OS30FA\_12 – OES800L3

### IEC

Disconnect  
switches  
Technical  
data

### IEC

Catalog number	3 pole	OS30FA_12	OS60J12	OS100J03	OS200J03	OS400J03	OS600J03	OES800L3
Technical ratings	-40° to 40°C							
Rated insulation voltage								
Pollution degree 3 ⑥	V	1000	1000	1000	1000	1000	1000	1000
Dielectric strength 50Hz/60Hz, 1 min	kV	10	10	10	10	10	10	10
Rated impulse withstand voltage	kV	12	12	12	12	12	12	12
Rated thermal current, I <sub>t</sub> /max. fuse power dissipation ①								
AC 20/DC 20 open ②	A/W	32/3.5	63/7.5	160/12	200/17	400/45	630/60	800/65
40°C enclosed	A/W	32/3.5	63/7.5	160/10, 135/12	200/17	400/34, 360/37	600/45, 570/50	720/55
Enclosed with solid links	A/W	32	85	175	280	450	700	900
with minimum cable cross section Cu	mm <sup>2</sup>	6	16	70	95	240	2 x 185	2 x 240
Rated operational voltage AC 20 and DC 20V		1000	1000	1000	1000	1000	1000	1000
<b>AC Rated operational currents</b>								
AC 21A	≤500V A	32	63	160	200	400	630	800
	≤690V A	32	63	160	200	400	630	800
AC 22A	≤500V A	32	63	160	200	400	630	800
	≤690V A	32	63	160	200	400	630	800
AC 23A	≤500V A	32	63 ③	160 ③	200	400	630	720
	≤690V A	32	63 ③	160 ③	200	400	630	720
<b>DC Rated operational currents/poles in series</b>								
DC21A	48V A	32/2 ③	④	④	200/1	400/2	—	800/2
	110V A	32/2	④	④	200/1	400/2	—	800/2
	220V A	32/2	④	④	200/1	400/2	—	800/2
	440V A	32/4	63/4	160/3	200/2	400/2	—	800/2
	750V A	—	④	④	180/4	400/3	—	800/3
	1000V A	—	④	④	—	400/4	—	800/4
DC22A	48V A	32/2 ③	④	④	200/1	400/2	—	800/2
	110V A	32/2	④	④	200/1	400/2	—	800/2
	220V A	32/2	④	④	200/1	400/2	—	800/2
	440V A	32/4	63/4	160/3	200/2	400/2	—	800/2
	750V A	—	④	④	180/4	400/3	—	800/3
	1000V A	—	④	④	—	400/4	—	800/4
DC23A	48V A	32/2 ③	④	④	200/1	400/2	—	800/2
	110V A	32/2	④	④	200/1	400/2	—	800/2
	220V A	32/2	④	④	200/1	400/2	—	800/2
	440V A	32/4	63/4	160/3	200/2	400/2	—	800/2
	750V A	—	④	④	180/4	400/3	—	800/3
	1000V A	—	④	④	—	—	—	800/4
Rated operational power	AC23A							
230V	kW	8	18.5	45	60	132	200	200
400V	kW	14	30	80	110	220	355	350
415V	kW	15	30	90	110	230	355	380
500V	kW	18	37	110	140	280	450	470
690V	kW	25	60	132	190	400	630	600



① Ambient temperature 60°C: derating 20 percent. Mounting on ceiling: derating 10 percent. Mounting on wall, horizontal fuses: derating 8 percent.  
 ② The ambient air temperature does not exceed +40°C and its average over a period of 24h does not exceed +35°C according to IEC 947.  
 ③ For 30A switches, use 2 + 2 parallel contacts in series.  
 ④ Available on request.  
 ⑤ IEC 947-3, utilization category B, infrequent operation.  
 ⑥ Pollution degree 3: Conductive pollution occurs, or dry, non-conductive pollution occurs, which becomes conductive due to condensation.

# Technical data

## OS30FA\_12 – OES800L3

### IEC

### IEC

Catalog number	3 pole	OS30FA_12	OS60J12	OS100J03	OS200J03	OS400J03	OS600J03	OES800L3
Rated breaking capacity								
in category AC-23A	500V A	256	504	1280	1600	3200	5760	5760
	690V A	256	504	1280	1600	3200	5760	5760
Rated breaking capacity/poles in series								
in category DC-23	<220V A	128/2	—	—	1000/2	1600/2	3200/2	3200/2
	440V A	128/4	—	—	1000/2	1600/2	3200/2	3200/2
	500 – 750V A	—	—	—	1000/3	1600/3	3200/3	3200/3
	1000V A	—	—	—	—	—	3200/4	3200/4
Rated conditional short-circuit current r.m.s. ③								
	80 kA, 415V kA	9	17	22	35	40	75	75
	100 kA, 500 V kA	7.5	17	22	37.5	40	75	75
	50 kA, 690 V kA	6	13	15	35	35	60	60
Rated short time withstand current, 1s. kA		1	2.5	5	8	10	16	16
Rated capacitor power								
The capacitor rating of the fusible disconnect switch is limited by the fuse link								
	400 V kVar	15	30	—	—	180	250	310
	415V kVar	15	32	—	—	200	270	340
	690V kVar	25	50	—	—	325	450	550
Power loss/pole								
with rated current, without fuse	W	2	4	9	8	30	46	77
Mechanical endurance	operations	20,000	20,000	20,000	20,000	16,000	10,000	10,000
Fuse types, IEC 269-2	DIN 43620	—	000, 00	000, 00	—	0 – 2	3	3
	NFC	10 x 38, 14 x 51	14 x 51, 22 x 58	22 x 58	—	0 – 2	3	—
	BS 88	A1, A2, F1	A2 – A3	A2 – A4	B1 – B2	B1 – B4	C1 – C2	C1 – C3
size/distance of link bolts		M4/44.5(A1) M5/73(A2)	M5/73	M5/73 M8/94	M6/111	M8/111	M10/133, 184	M10/133, 184
<b>Physical characteristics</b>								
Weight	3 pole kg	0.7	1.3	1.5	2.6	5.7	13.0	17.0
	4 pole kg	0.9	1.6	1.8	7.9	6.9	17.0	21.0
Dimension	3 pole H mm	93	100	144	198.5	236	306	282
	W mm	106	143	179	181.5	255	343	376
	D mm	104	120	129	132	176	233	233
Shaft size	square mm	6 x 6	6 x 6	6 x 6	6 x 6	12 x 12	12 x 12	12 x 12
<b>Terminals</b>								
Built-in terminal size mm <sup>2</sup>		0.5 – 10	2.5 – 25	—	—	—	—	—
Terminal bolt size, metric thread diameter x length mm		—	—	M6 x 20	M8 x 25	M10 x 40	M12 x 40	M12 x 40
Terminal bolt tightening torque	Nm	2	3.5	6 – 9	15 – 22	30 – 44	50 – 75	50 – 75
Fuse-links bolts tightening torque	Nm	2	3.5	3.5 – 5	4	15	40	40
Operating torque	Nm	3	4	8	7	22	28	28
<b>Auxiliary contacts</b>								
		OA4G_①	OA1/3G_②	OA_G_②	OA_G_②	OA_G_②	OA_G_②	OZXK_②
Ratings according to IEC 947-5-1								
Rated voltage, U <sub>i</sub>	VAC	690	690	690	690	690	690	690
Thermal current, I <sub>th</sub>	A	10	16	16	16	16	16	10
AC12 / DC12, I <sub>e</sub>	U <sub>e</sub> =24V A	— / 6	—	—	—	—	—	—
	120V A	— / 6	—	—	—	—	—	8 / —
	125V A	—	—	—	—	—	—	— / 1.1
	230V A	—	6 / —	6 / —	6 / —	—	—	6 / —
	250V A	3 / 0.1	—	—	—	—	—	— / 0.55
	400V A	—	4 / —	4 / —	4 / —	—	—	4 / —
	415V A	—	—	—	—	—	—	4 / —
	440V A	2 / —	—	—	—	—	—	— / 0.31
	480V A	—	—	—	—	—	—	3 / —
	500V A	—	—	—	—	—	—	3 / 0.27
	600V A	—	—	—	—	—	—	— / 0.2
	690V A	—	2 / —	2 / —	2 / —	2 / —	2 / —	2 / —

① AC15 / DC12, according to IEC 947-5-1

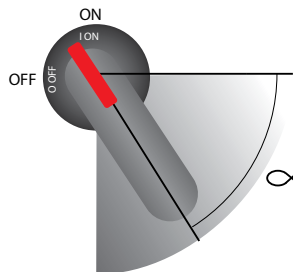
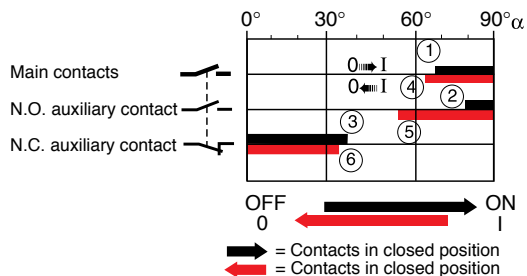
② AC15, according to IEC 947-5-1

③ Values shown are corresponding max. allowed cut-off current, peak-values per single phase fuse tests.

# Auxiliary contact timing diagrams OT16 – OT100

Disconnect  
switches  
Technical  
data

## Legend



### Contacts closing

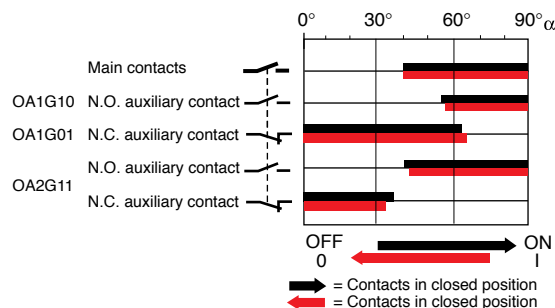
- ① Main contacts close
- ② N.O. auxiliary contacts close
- ③ N.C. auxiliary contacts close

### Contacts opening

- ④ Main contacts open
- ⑤ N.O. auxiliary contacts open
- ⑥ N.C. auxiliary contacts close

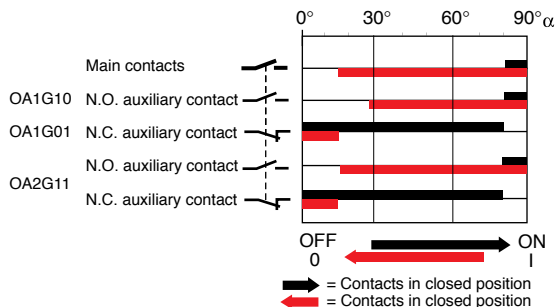
## OT16, OT25, OT40

Catalog number	Auxiliary contact	Contact configuration
OT16, OT25, OT40	OA1G10 OA1G01 OA2G11	1 N.O. 1 N.C. 1 N.O. & 1 N.C.



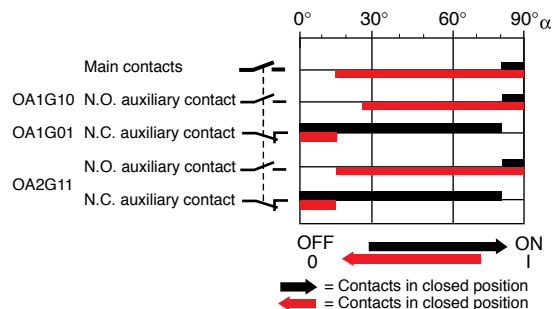
## OT63, OT80

Catalog number	Auxiliary contact	Contact configuration
OT63, OT80	OA1G10 OA1G01 OA2G11	1 N.O. 1 N.C. 1 N.O. & 1 N.C.



## OT30, OT60, OT100

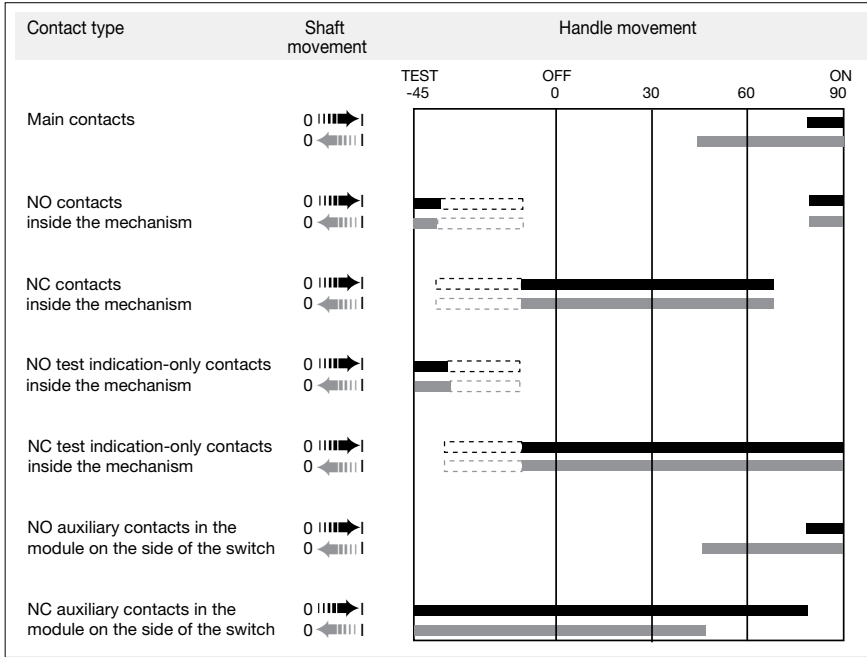
Catalog number	Auxiliary contact	Contact configuration
OT30, OT60, OT100	OA1G10 OA1G01 OA2G11	1 N.O. 1 N.C. 1 N.O. & 1 N.C.



## Auxiliary contact timing diagrams OT200U – OETL-NF3150

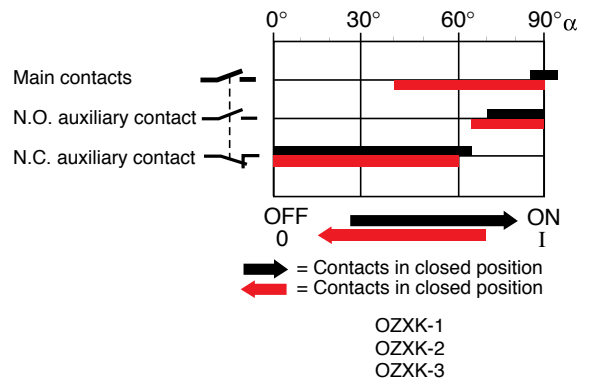
### OT200U03 – OT600U03

Catalog number	Auxiliary contact	Contact configuration
OT200U03 – OT600U03	OA1G10 OA3G01	1 N.O. 1 N.C.



### OETL-NF800A – OETL-NF3150

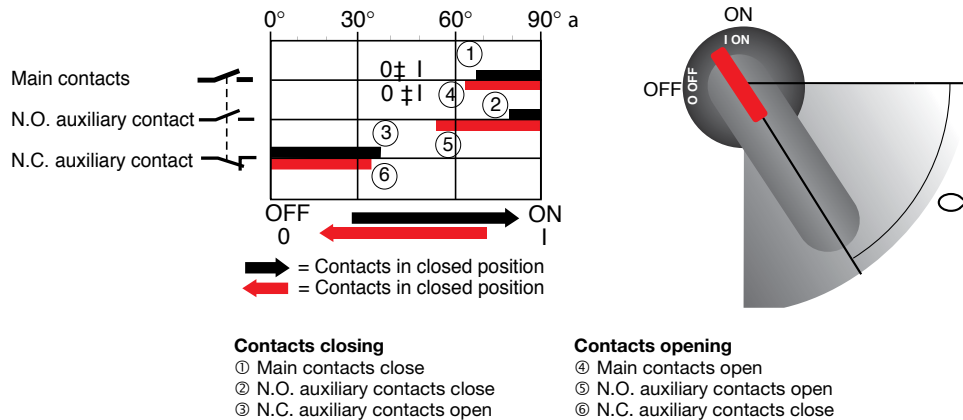
Catalog number	Auxiliary contact	Contact configuration
OETL-NF800A – OETL-NF3150	OZXK-1 OZXK-2 OZXK-3	1 N.O. & 1 N.C. 2 N.O. & 2 N.C. 4 N.O. & 4 N.C.



# Auxiliary contact timing diagrams OS30\_ – OS100

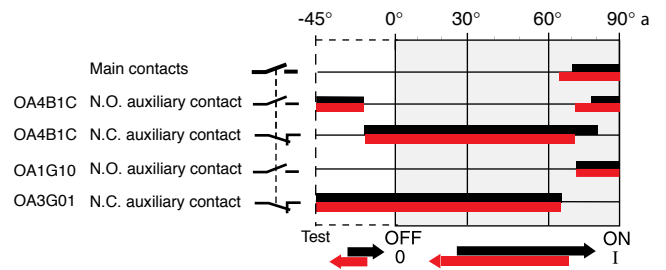
Disconnect  
switches  
Technical  
data

## Legend



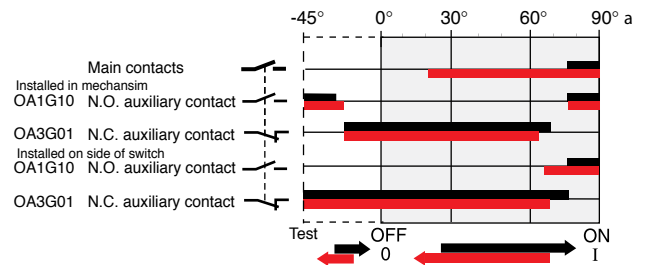
## OS30\_

Catalog number	Auxiliary contact	Contact configuration
OS30_	OA4B1C OA1G10 OA3G01	1 N.O. & 1 N.C. 1 N.O. 1 N.C.



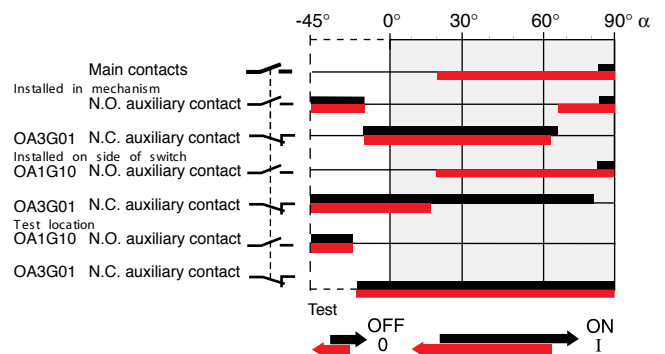
## OS60

Catalog number	Auxiliary contact	Contact configuration
OS60	OA1G10 OA3G01	1 N.O. 1 N.C.



## OS100

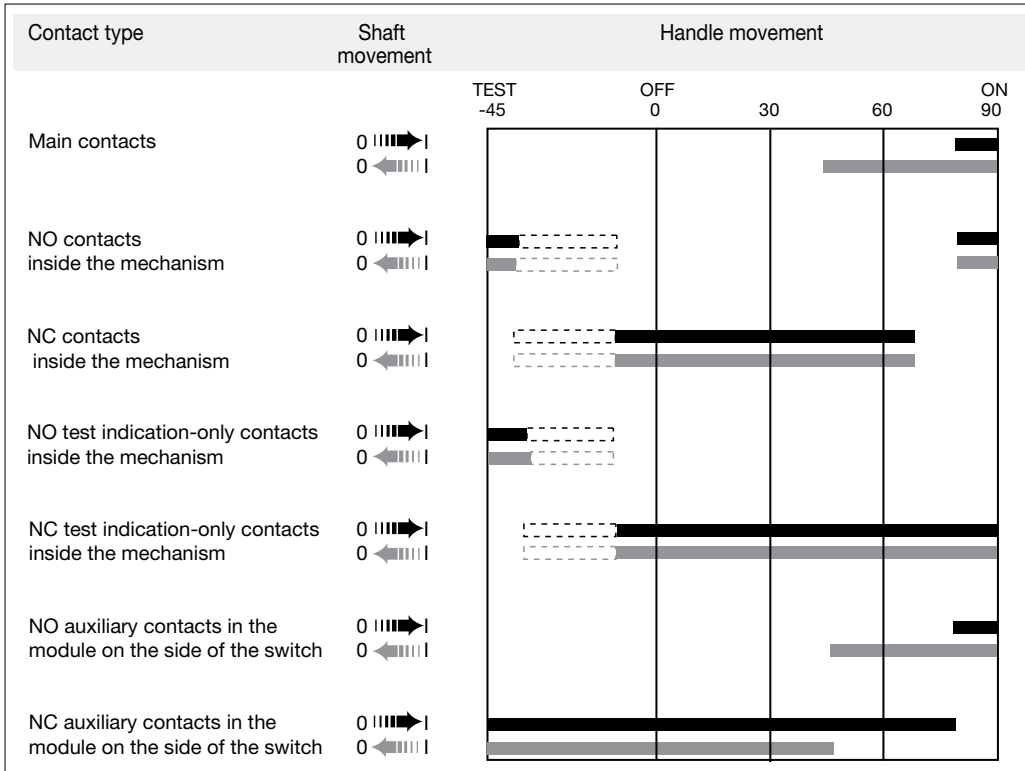
Catalog number	Auxiliary contact	Contact configuration
OS100	OA1G10 OA3G01	1 N.O. 1 N.C.





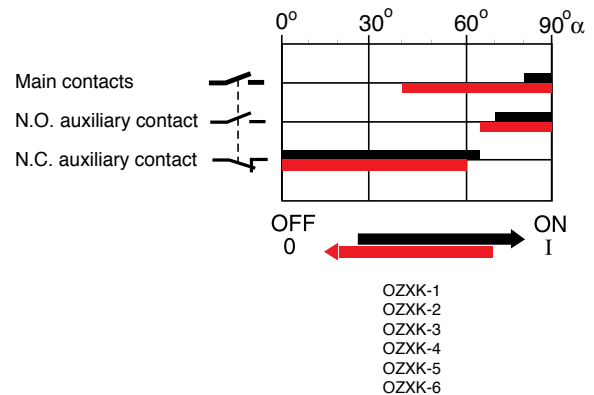
# Auxiliary contact timing diagrams OS200 – OES800

## OS200 - OS600



## OES800

Catalog number	Auxiliary contact	Contact configuration
OES800	OZXK-1	1 N.O. & 1 N.C.
	OZXK-2	2 N.O. & 2 N.C.
	OZXK-3	4 N.O. & 4 N.C.
	OZXK-4	2 N.O.
	OZXK-5	4 N.O.
	OZXK-6	8 N.O.



# Technical data

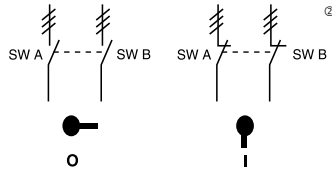
## Other configuration descriptions

Disconnect  
switches  
Technical  
data

### Conversion mechanisms

#### 6 or 8 pole

6 (8) pole mechanism allows two switches controlled by one handle to open or close simultaneously.

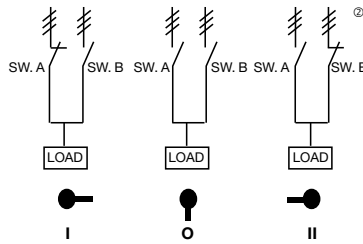


	POS. O	POS. I
SW. A	O	X
SW. B	O	X

X = Closed  
O = Open

#### Double throw<sup>①</sup>

Transfer mechanism manually transfers between two power sources using two switches and a center "OFF" position.

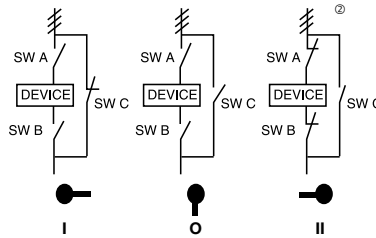


	POS. I	POS. O	POS. II
SW. A	X	O	O
SW. B	O	O	X

X = Closed  
O = Open

#### Bypass<sup>①</sup>

Bypass mechanism operates three switches: Two switches in series and one changeover switch to allow power bypass.

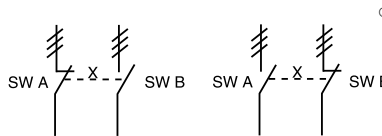


	POS. I	POS. O	POS. II
SW. A	O	O	X
SW. B	O	O	X
SW. C	X	O	O

X = Closed  
O = Open

#### Mechanical interlock

Mechanical interlock mechanism prevents both switches from being in the ON position at the same time.



	SW. A POS. I	SW. B POS. O
SW. A	X	O
SW. B	O	X

X = Closed  
O = Open

<sup>①</sup> Transfer and bypass enclosed switches include the load side bussed or cabled together and all switches come standard with ground lugs.

<sup>②</sup> = Three poles

## Introduction

An enclosure is a surrounding case constructed to provide a degree of protection to personnel against accidental contact with the enclosed equipment and to provide a degree of protection to the enclosed equipment against specified environmental conditions.

A brief description of the more common types of enclosures used by the electrical industry relating to their environmental

capabilities follows. Refer to NEMA Standards Publication for more information regarding applications, features and design tests.

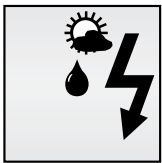
Individual NEMA product Standards Publications or third party certification standards may contain additional requirements for product testing and performance.

### Definitions pertaining to nonhazardous locations



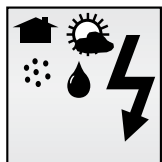
Type 1

Enclosures are intended for indoor use primarily to provide a degree of protection against limited amounts of falling dirt. (NEMA Standard 7-15-1991.)



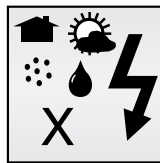
Type 3R

Enclosures are intended for outdoor use primarily to provide a degree of protection against rain, sleet and damage from external ice formation. (NEMA Standard 7-15-1991.)



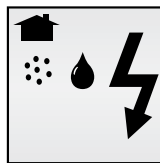
Type 4

Enclosures are intended for indoor or outdoor use primarily to provide a degree of protection against windblown dust and rain, splashing water, hose-directed water and damage from external ice formation. (NEMA Standard 1-10-1979.)



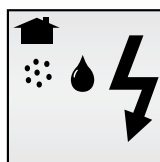
Type 4X

Enclosures are intended for indoor or outdoor use primarily to provide a degree of protection against corrosion, windblown dust and rain, splashing water, hose-directed water and damage from external ice formation. (NEMA Standard 1-10-1979)



Type 12

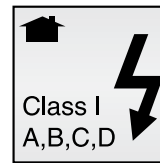
Enclosures are intended for indoor use primarily to provide a degree of protection against circulating dust, falling dirt, and dripping noncorrosive liquids. (NEMA Standard 7-15-1991.)



Type 13

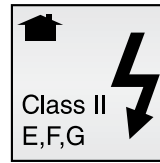
Enclosures are intended for indoor use primarily to provide a degree of protection against dust, spraying of water, oil and noncorrosive coolant. (NEMA Standard 1-10-1979.)

### Definitions pertaining to hazardous locations



Type 7

Enclosures are intended for indoor use in locations classified as Class I, Groups A, B, C, or D, as defined in the National Electrical Code. (NEMA Standard 7-15-1991.)



Type 9

Enclosures are intended for indoor use in locations classified as Class II, Groups E, F, or G, as defined in the National Electrical Code. (NEMA Standard 7-15-1991.)

#### Legend






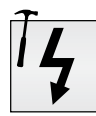

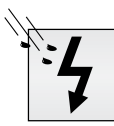

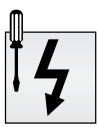
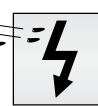








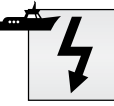

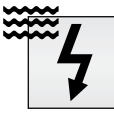
- Indoors
- Outdoors
- Water
- Dirt/dust
- Corrosion

# IEC Environmental ratings

Disconnect  
switches  
Technical  
data

## IP ratings

indicate the degree of protection against dust, liquids and impacts. The IP degrees of protection are defined by the French standard NFC 20-010. To rate a device's degrees of protection, the letters IP are followed by up to three numbers. These numbers are defined as follows:

first number protection against solid objects	second number protection against liquids	third number protection against mechanical impacts
<p><b>IP 0</b>  no protection</p>	<p><b>IP 0</b>  no protection</p>	<p><b>IP 0</b>  no protection</p>
<p><b>1</b>  protected against solid objects over 50mm (e.g. accidental touch by hands.)</p>	<p><b>1</b>  protected against vertically falling rain or condensation</p>	<p><b>1</b>  impact 0,225 joule 150g falling from 15 cm</p>
<p><b>2</b>  protected against solid objects over 12 mm (e.g. fingers)</p>	<p><b>2</b>  protected against direct sprays of water up to 15° from vertical</p>	<p><b>2</b>  impact 0,375 joule 250g falling from 15 cm</p>
<p><b>3</b>  protected against solid objects over 2.5 mm (tools &amp; wires)</p>	<p><b>3</b>  protected against sprays to 60° from vertical</p>	<p><b>3</b>  impact 0,50 joule 250g falling from 20cm</p>
<p><b>4</b>  protected against solid objects over 1mm (small tools &amp; small wires)</p>	<p><b>4</b>  protected against water sprayed from all directions</p>	<p><b>5</b>  impact 2,00 joule 500g falling from 40 cm</p>
<p><b>5</b>  protected against dust (no harmful deposit)</p>	<p><b>5</b>  protected against low pressure jets of water from all directions</p>	<p><b>7</b>  impact 6,00 joule 1.5kg falling from 40 cm</p>
<p><b>6</b>  totally protected against dust</p>	<p><b>6</b>  protected from strong jets of water (e.g. for use on ship decks)</p>	<p><b>9</b>  impact 20,00 joule 5 kg falling from 40 cm</p>
	<p><b>7</b>  protected against the effects of immersion between 15cm and 1m</p>	

**AC – Alternating current** — Current that reverses its direction of flow twice per cycle.

**Ambient temperature** — Temperature of the air surrounding the unit.

**Amp rating** — The basic unit of measurement for electric current (columbs / seconds).

**Conventional thermal current  $I_{th}$**  — Value of the current the disconnect switch can withstand with poles in closed position, in free air for an eight hour duty, without the temperature rise of its various parts exceeding the limits specified by the standards.

**Cycle duration** — Total time of the on-load + off-load period.

**DC – Direct current** — Current that flows in only one direction.

**Electrical endurance** — Number of on-load operating cycles.

**IEC environmental protection type** — see page 18.48.

**Full load amp current FLA** — The current required by a motor to produce full-load torque at the motor's rated speed.

**Inductive load** — An electrical load characterized by having significant inrush (5 to 6 times FLA for typical design-B AC induction motors).

**kW** — Kilowatts (1000 watts)

**Lockout/Tagout** — Means of removing power from electrical equipment during inspection, service or repair.

**Make / Break** — ON / OFF

**Mechanical endurance** — Number of off-load operating cycles.

**Poles in series** — Means of connection poles using wires or bus bars to increase breaking capacity of load.

**Power factor** — The relationship between working power and total power consumed. Power factor measures how effectively electrical power is being used.

**Rated insulation  $U_i$**  — Voltage value which designates the unit and to which dielectric tests, clearance and creepage distances are referred.

**Rated operating current  $I_o$**  — Current value stated by the manufacturer and taking into account the rated operating voltage  $U_e$ , the rated frequency, the rated duty, the utilization category, the electrical contact life and the type of protective enclosure.

**Rated operating voltage  $U_e$**  — Voltage value to which utilization characteristics of the disconnect switch are referred, i.e. phase-to-phase voltage in 3 phase circuits.

**Rated short circuit making capacity  $I_{cm}$**  — The rated short-circuit making capacity of a disconnect switch, a disconnect or a switch-disconnector is the value assigned to equipment at the rated operational voltage, frequency (if any) and specified power-factor for AC or time constant for DC. It is expressed as the maximum prospective peak current under prescribed conditions.

**Rated short time withstand current  $I_{cw}$**  — The rated short-time withstand current of a disconnect switch, a disconnect or a switch-disconnector is the value that the equipment can carry without damage, under the test conditions specified in the relevant product standard. The value of the rated short-time withstand current shall be not less than twelve times the maximum rated operational current unless otherwise stated by manufacturer and the duration of the current shall be 1 s.

**Resistive load** — An electrical load characterized by not having any significant inrush current.

**Short circuit protection coordination** — Co-ordination types "1" and "2" are defined in IEC 947-4-1.

**Type 1 coordination** — There has to be no discharge of parts beyond the enclosure. Damage to the contactor and the overload is acceptable.

**Type 2 coordination** — No damage to the overload relay or other parts has occurred, except that welding of contactor or starter contacts is permitted, if they are easily separated.

**Time constant** — Ratio of inductance to the resistance:  
 $L/R = \text{mH}/\text{Ohm} = \text{ms}$ .

**Torque** — The force that produces rotation. It is commonly measured in pound-feet (lb-ft). Torque applies to such things as motor operations, handle rotations, wire tightening.

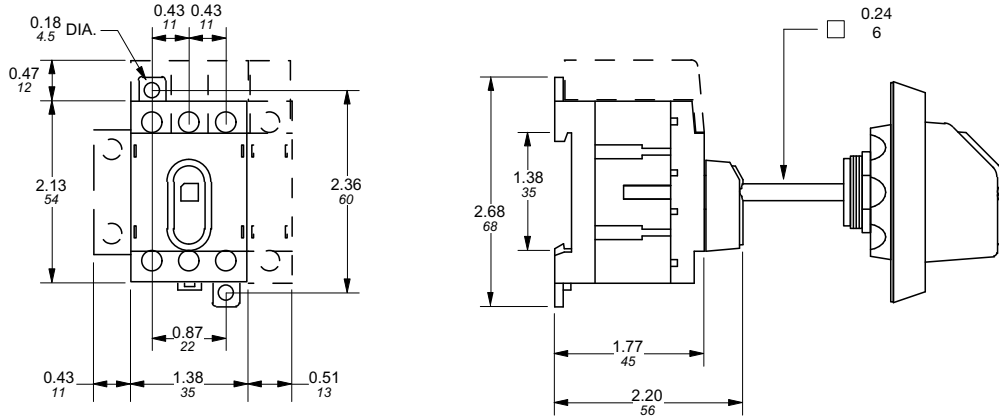
**NEMA environmental protection type** — see page 18.47.

**Volt** — The unit of electrical potential difference and electromotive force.

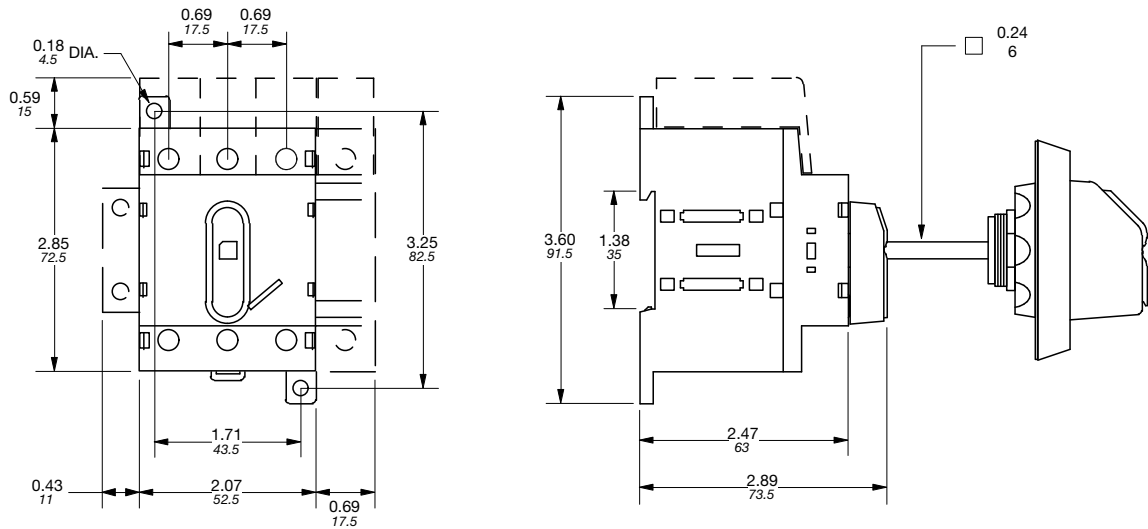
**Approximate dimensions**  
**OT16F3 – OT100F3**  
**Base & DIN rail mounted switches**

← 00.00 Inches  
00.00 [Millimeters] →

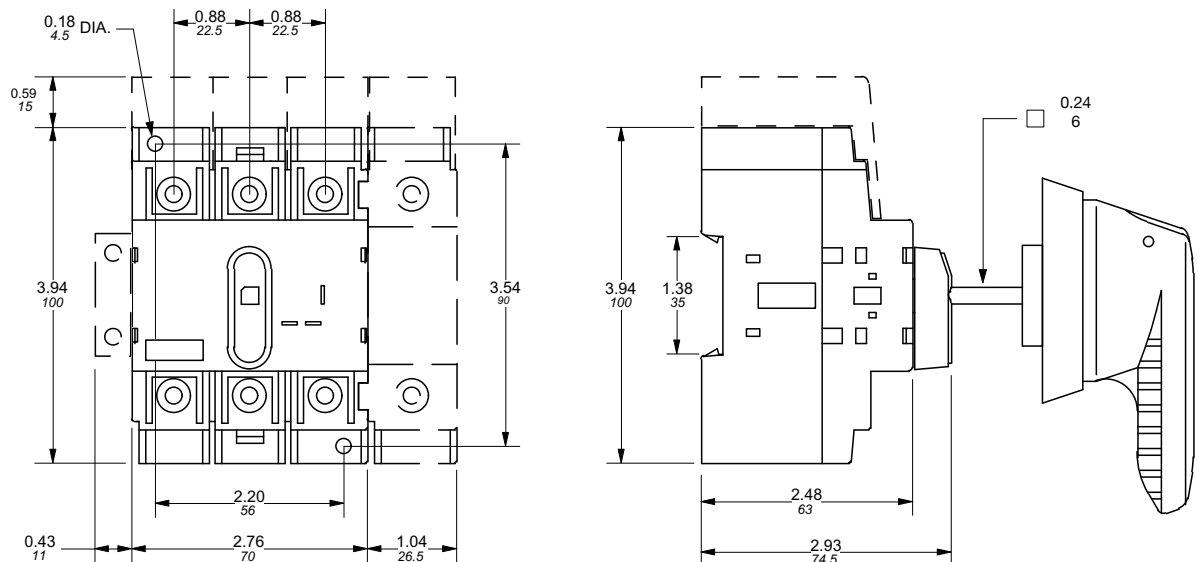
**OT16F3, OT25F3, OT40F3 – base & DIN rail mounted switch**



**OT63F3, OT80F3 – base & DIN rail mounted switch**



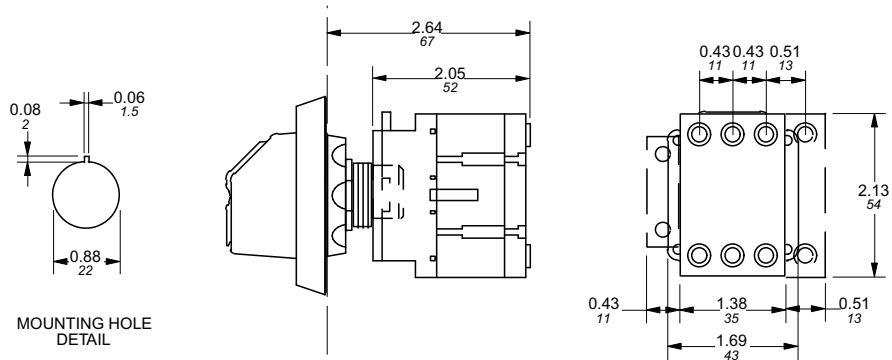
**OT30F3, OT60F3, OT100F3 – base & DIN rail mounted switch**



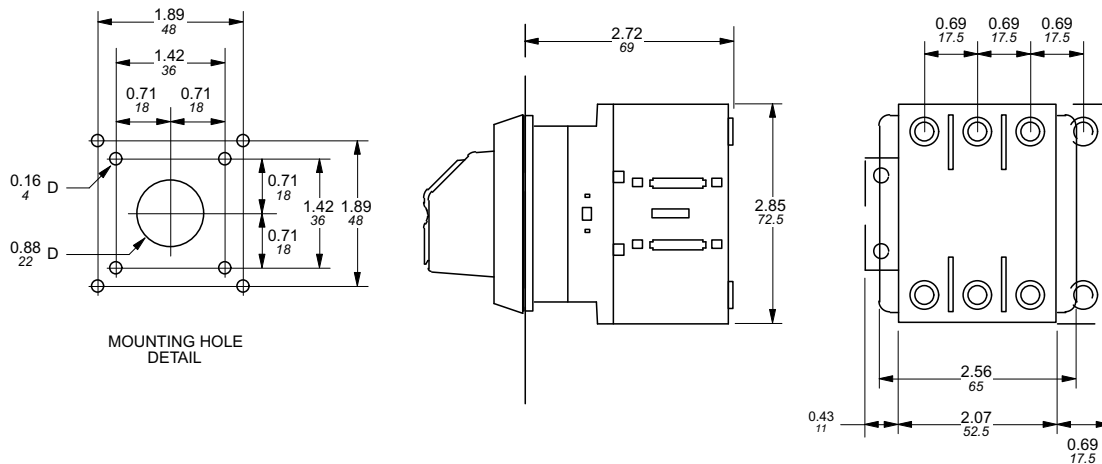
## Approximate dimensions OT16FT3 – OT100FT3 Door mounted switches

← 00.00 Inches  
00.00 → [Millimeters]

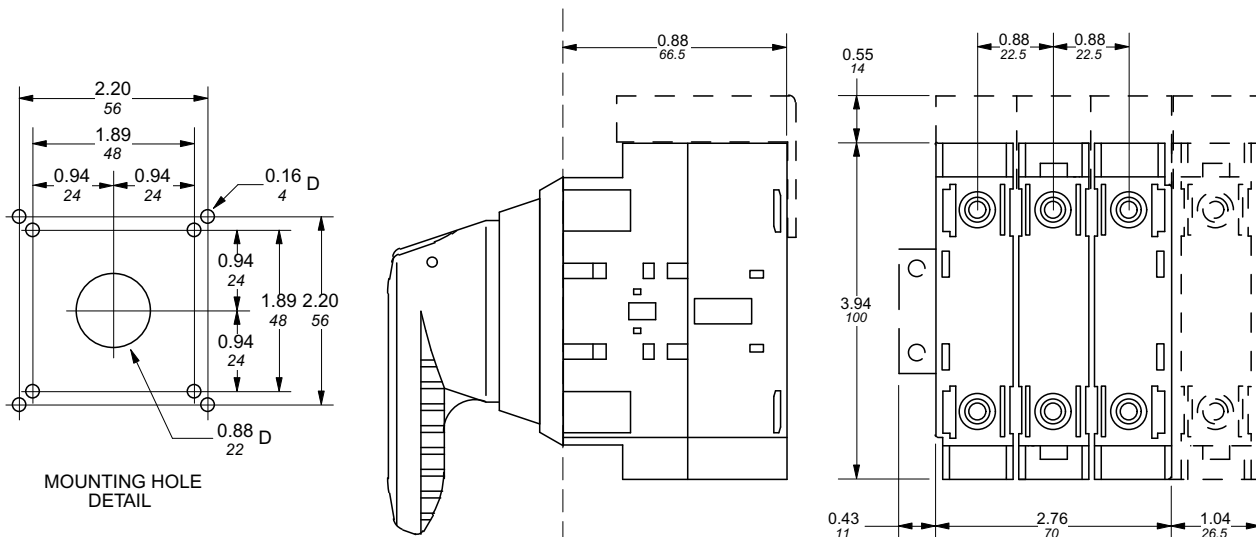
### OT16FT3, OT25FT3, OT40FT3 – door mounted switch



### OT63FT3, OT80FT3 – door mounted switch



### OT30FT3, OT60FT3, OT100FT3 – door mounted switch

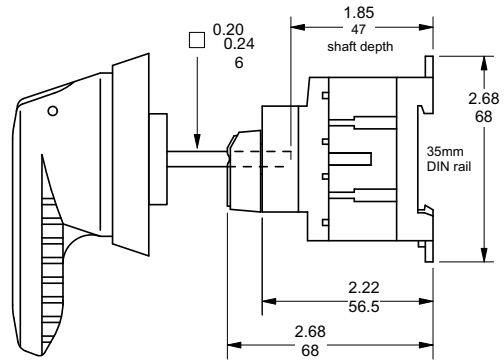
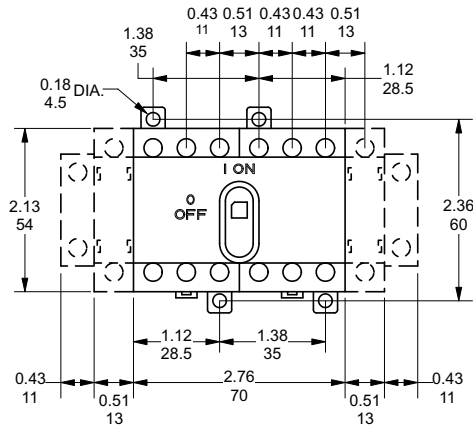




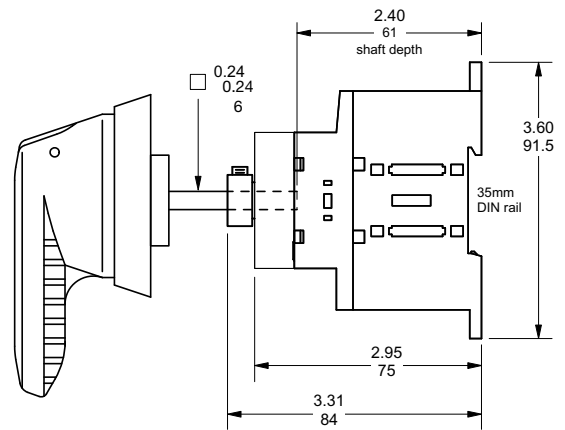
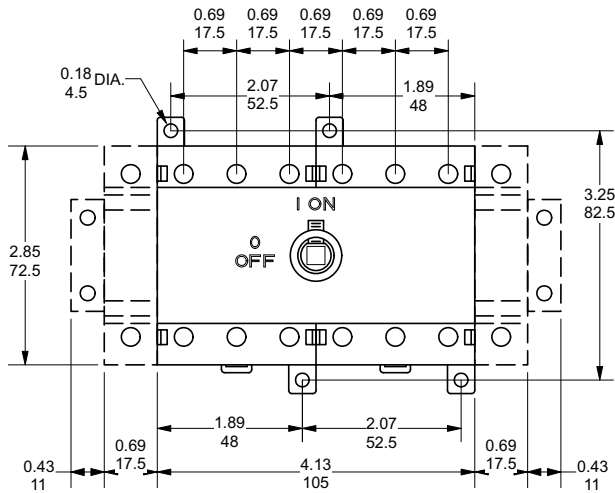
## Approximate dimensions OT16F6 – OT100F6 6-pole switches

00.00 Inches  
00.00 [Millimeters]

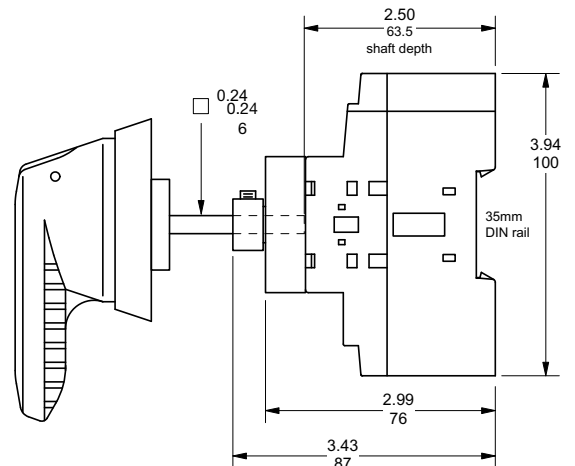
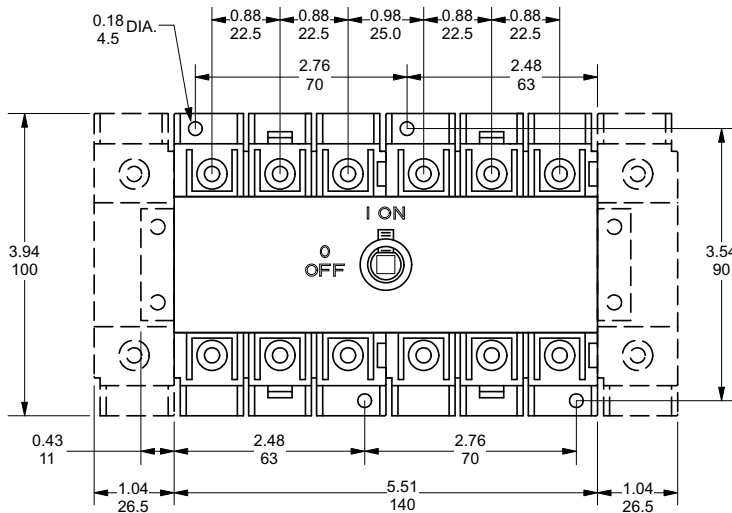
### OT16, 25, 40F6 – 6 Pole switches



### OT63, OT80F6 – 6 Pole switches



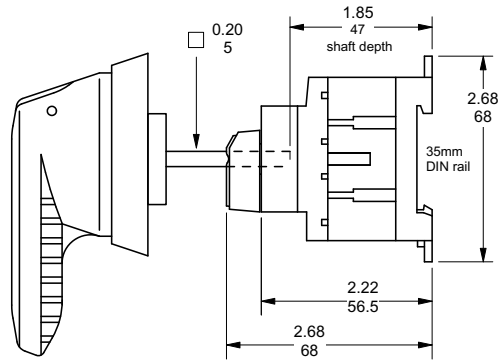
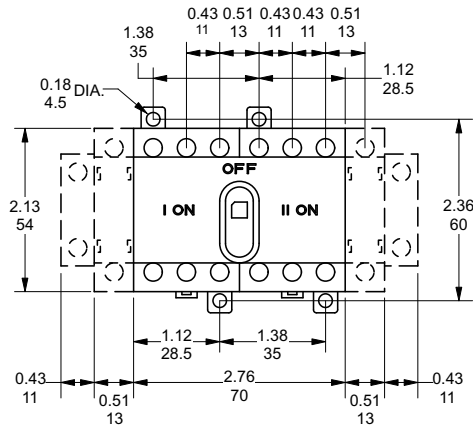
### OT30, OT60, OT100F6 – 6 Pole switches



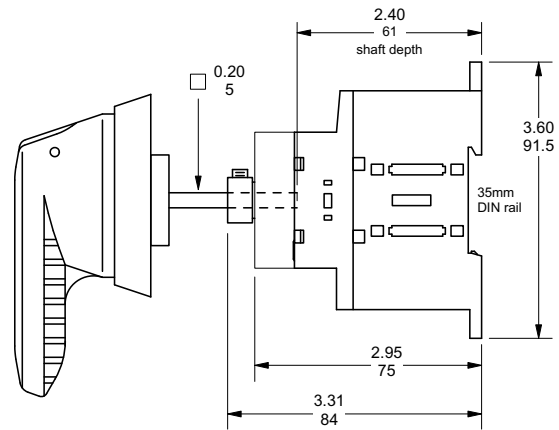
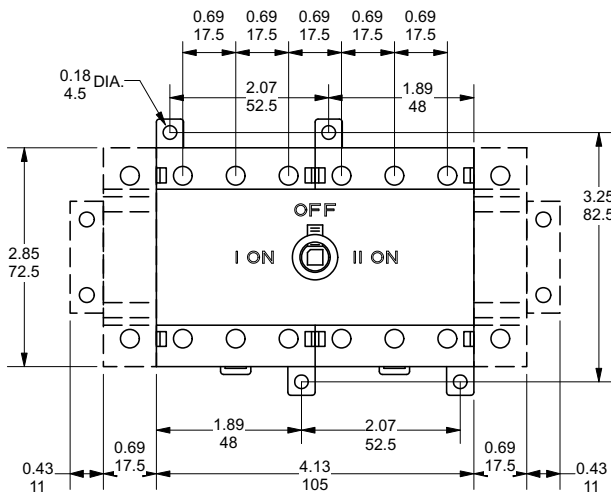
## Approximate dimensions OT16 – OT100F3C Double throw switches

00.00 Inches  
00.00 [Millimeters]

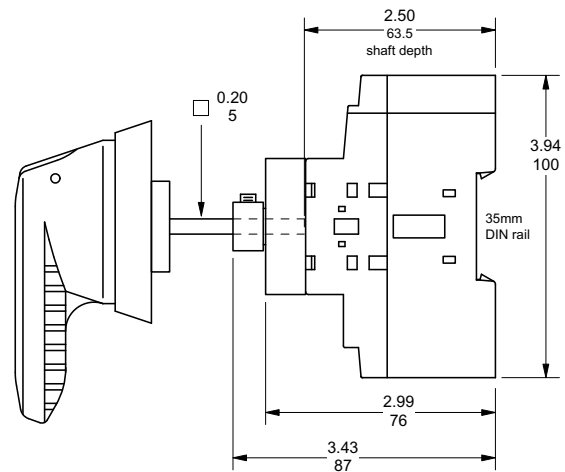
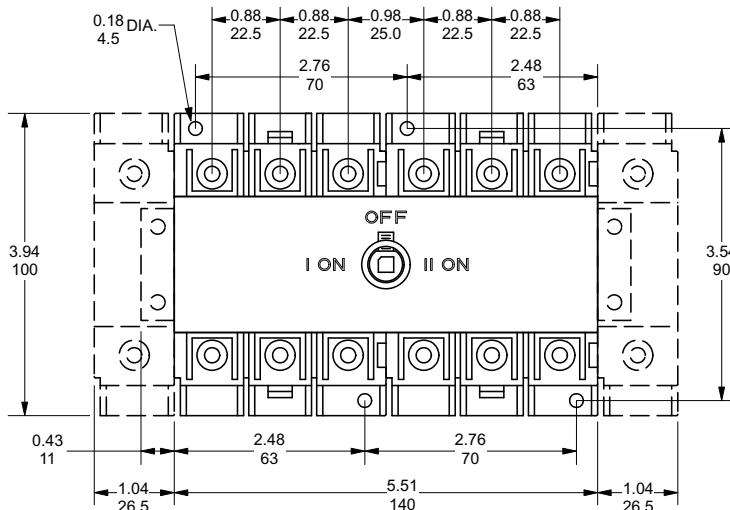
### OT16, OT25, OT40F3C – Double throw switches



### OT45, OT63, OT80F3C – Double throw switches



### OT30, OT60, OT100F3C – Double throw switches

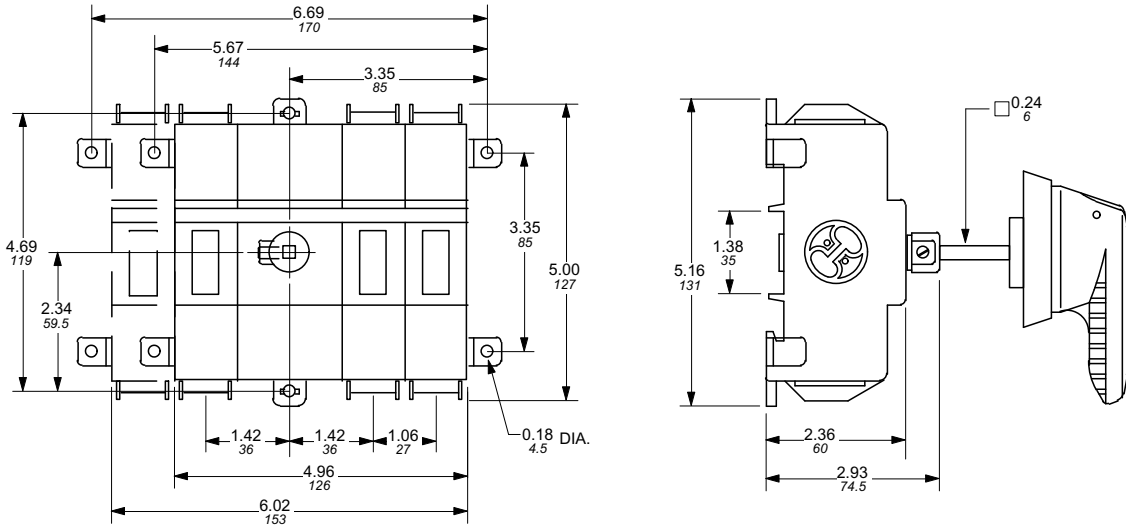


# Approximate dimensions OT160E3 & OT160ET3

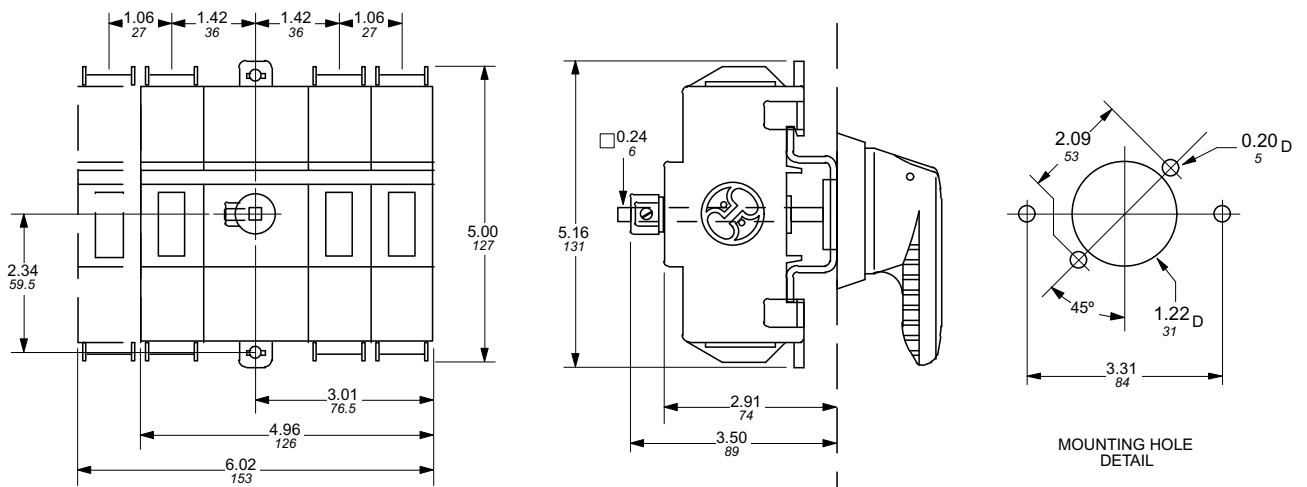
Disconnect  
switches  
Dimensions

00.00 Inches  
00.00 [Millimeters]

## OT160E3 – base & DIN rail mounted switch



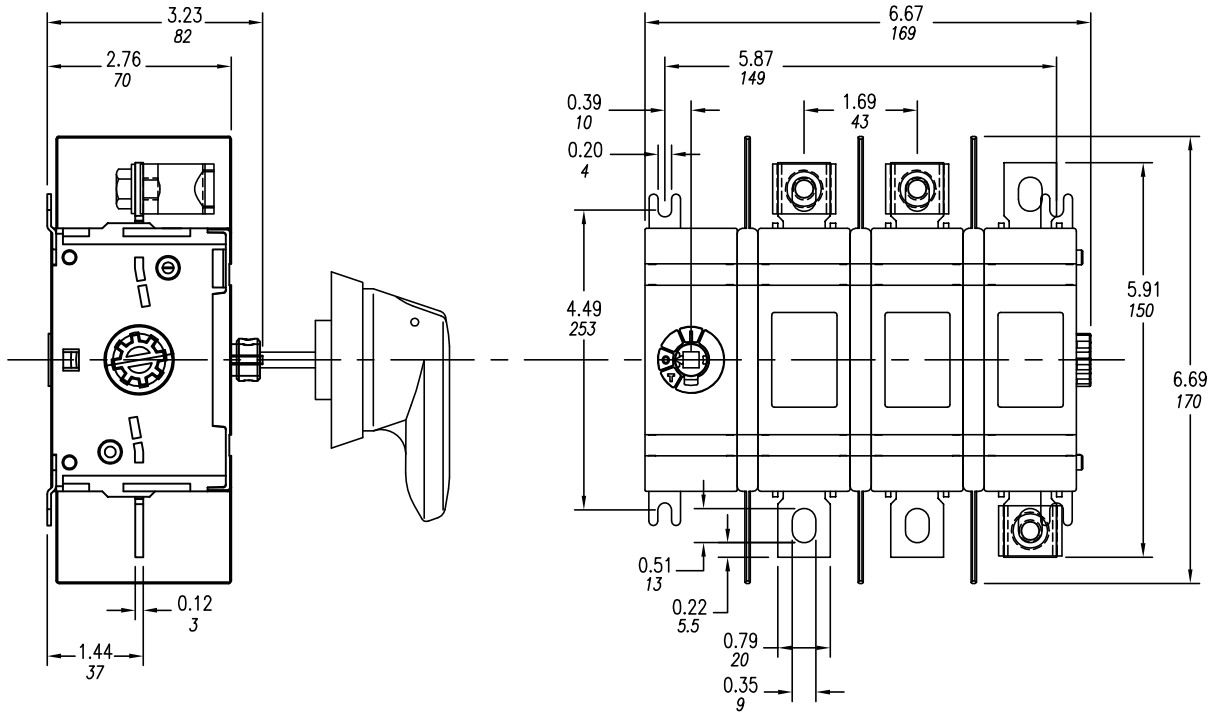
## OT160ET3 – Door mounted switch



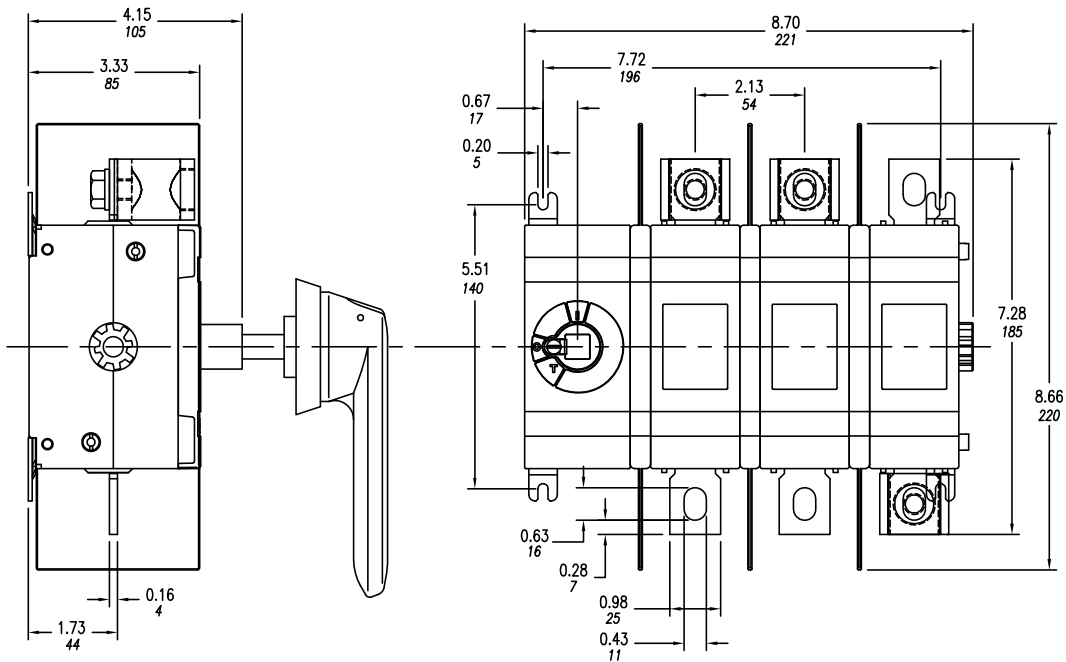
Approximate dimensions  
OT200\_ – OT400\_

00.00 Inches  
00.00 [Millimeters]

OT200U03



OT400U03

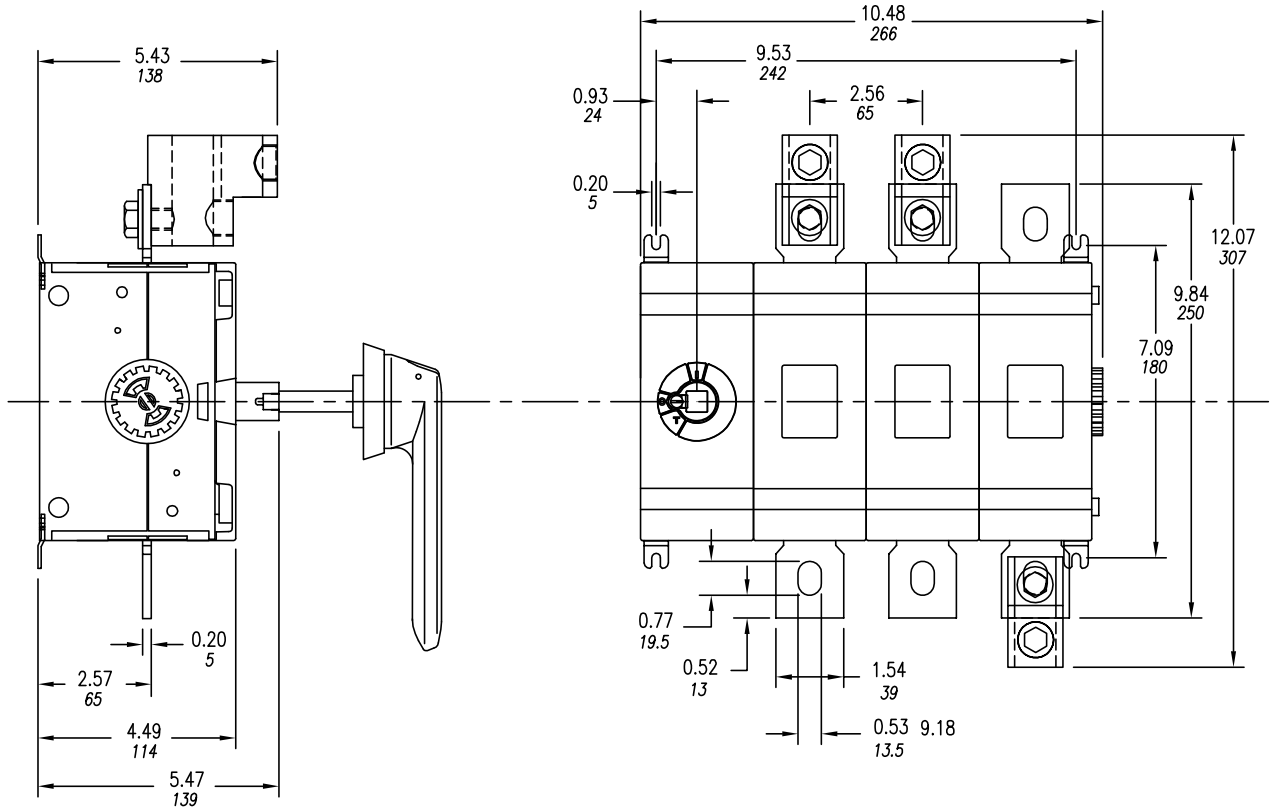


# Approximate dimensions OT600U03 – OETL-NF800A

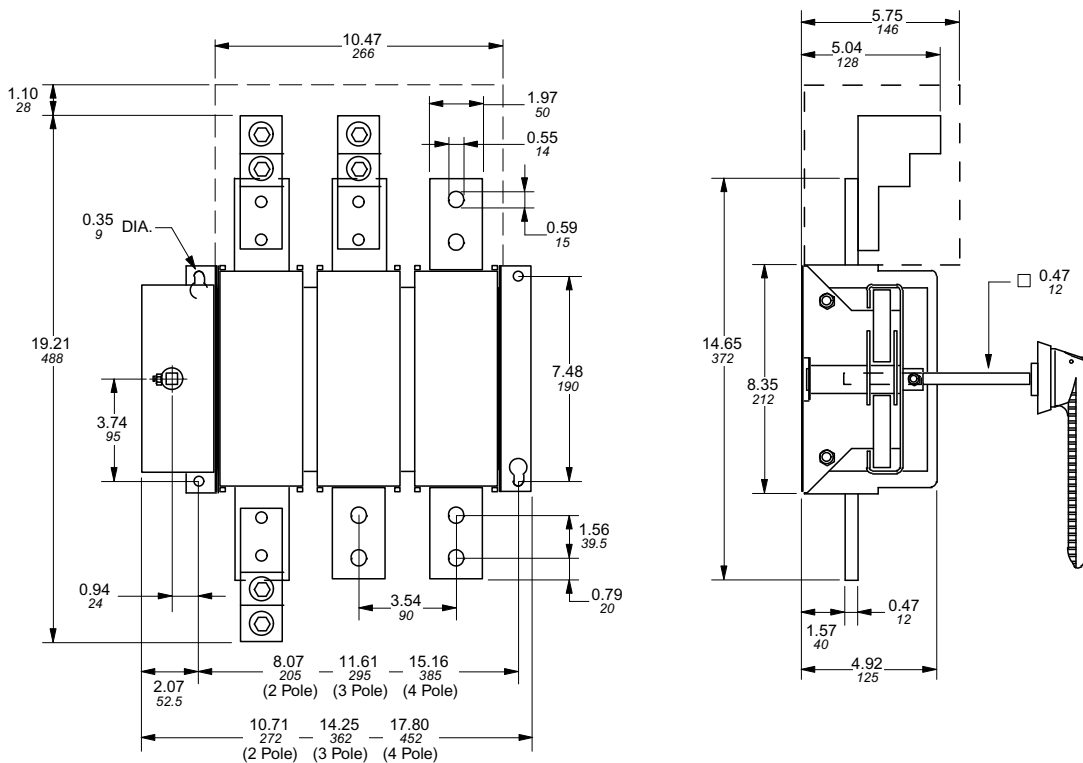
Disconnect  
switches  
Dimensions

00.00 Inches  
00.00 [Millimeters]

## OT600U03



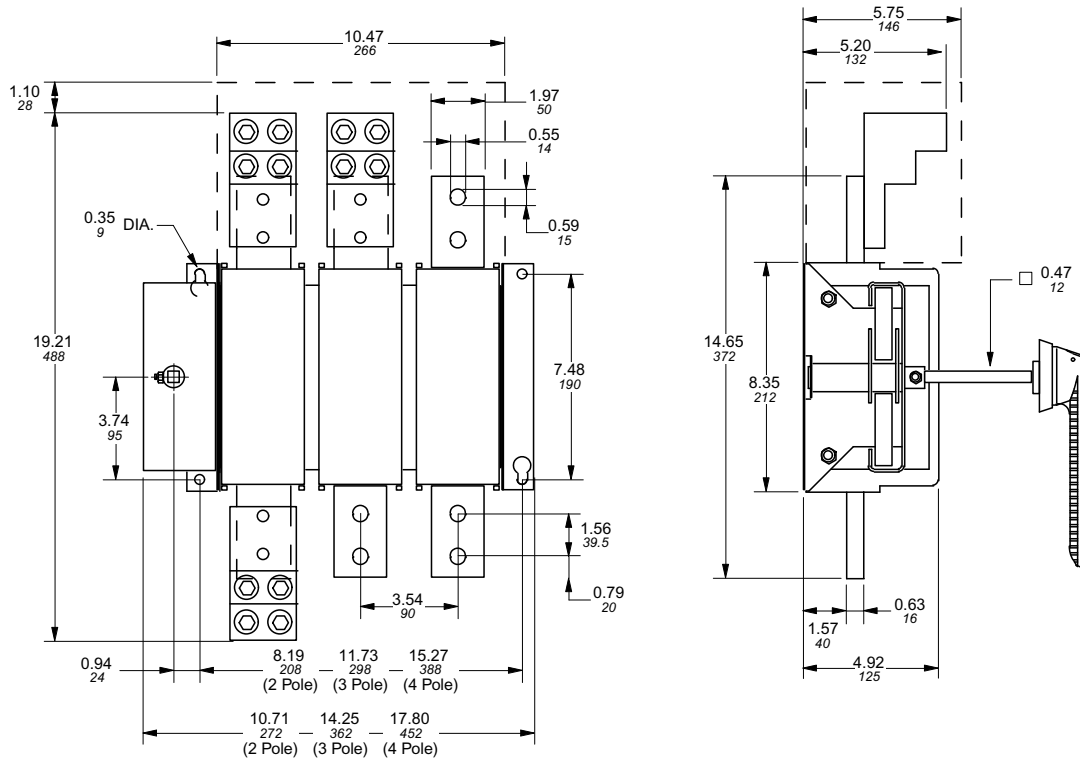
## OETL-NF800A



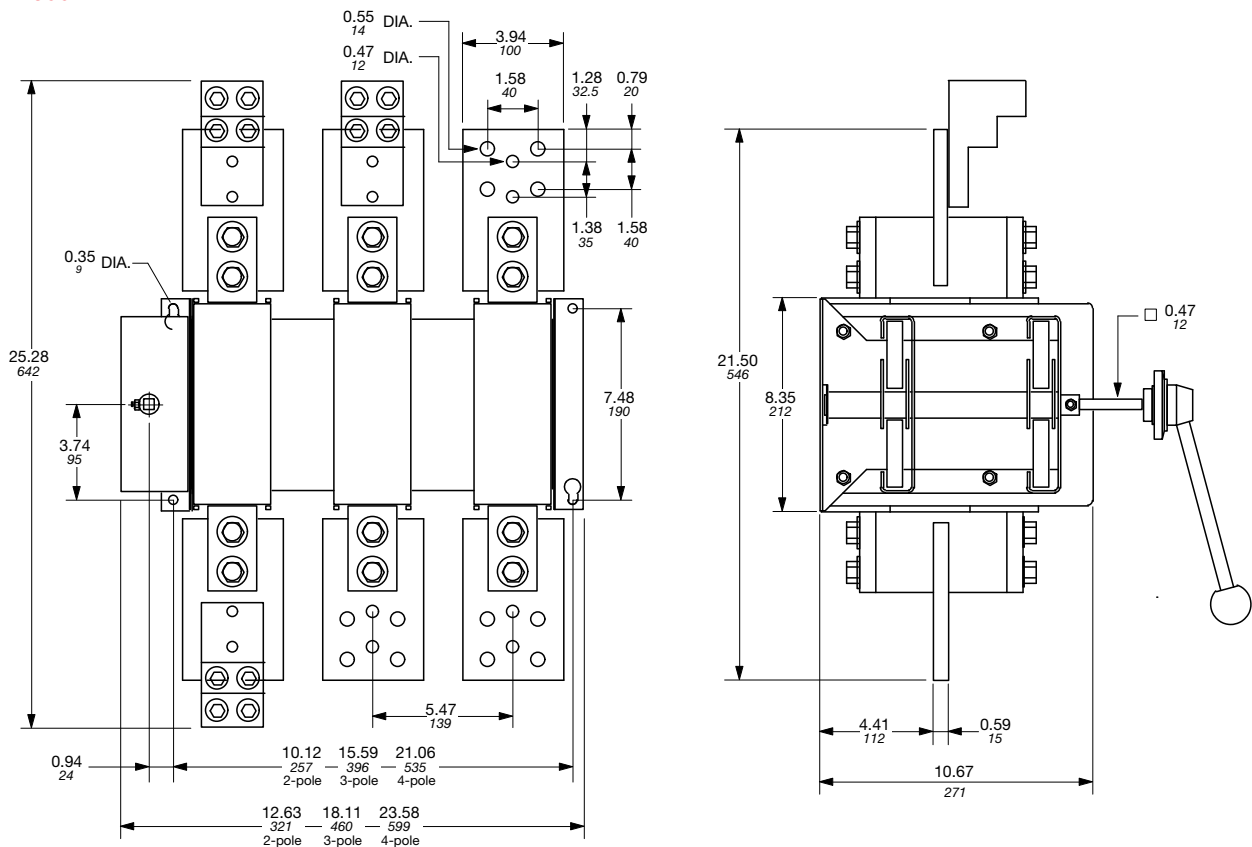
# Approximate dimensions OETL-NF1200 – OETL-NF1600

00.00 Inches  
00.00 [Millimeters]

## OETL-NF1200



## OETL-NF1600

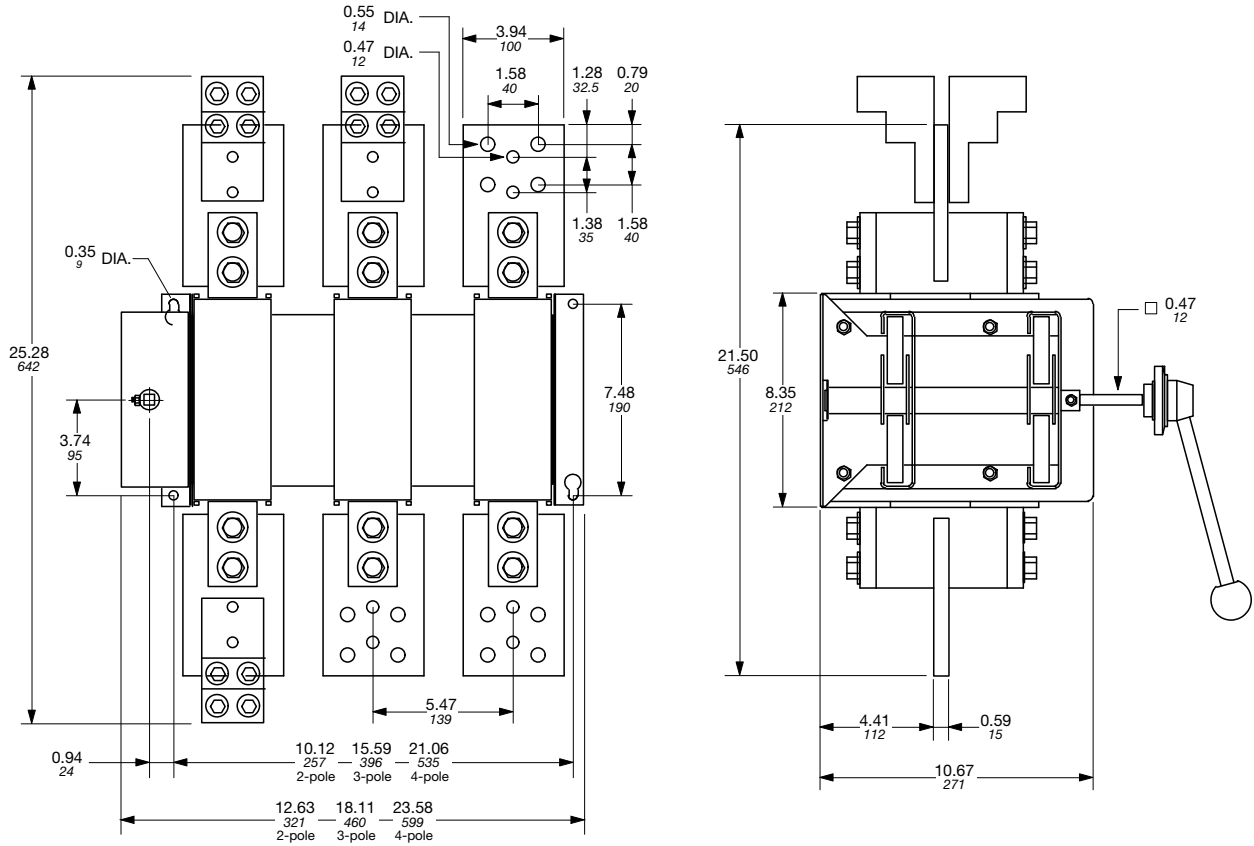


18

## Approximate dimensions OETL-NF2000 – OETL-NF3150

00.00 Inches  
00.00 [Millimeters]

### OETL-NF2000 – OETL-NF3150

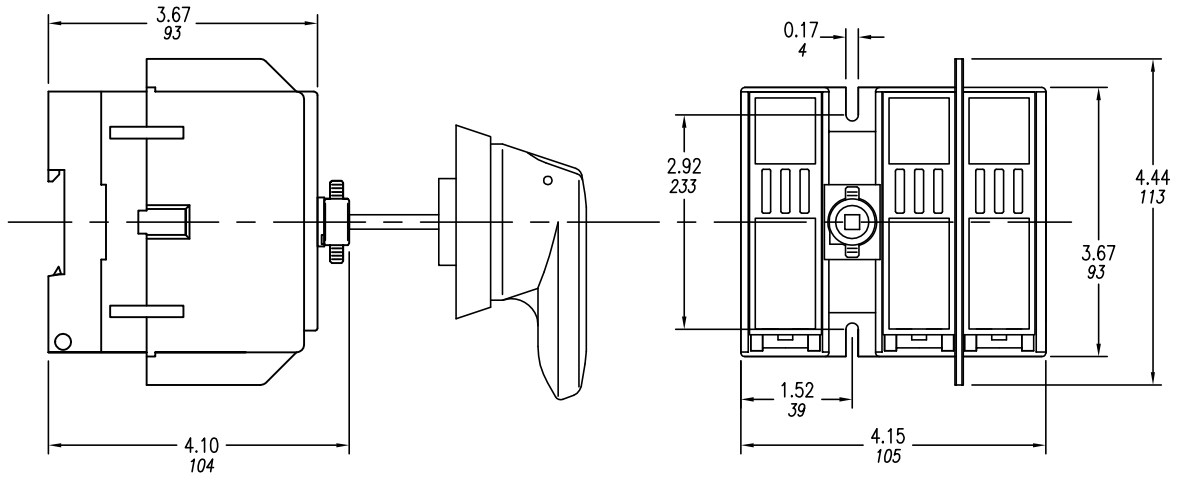




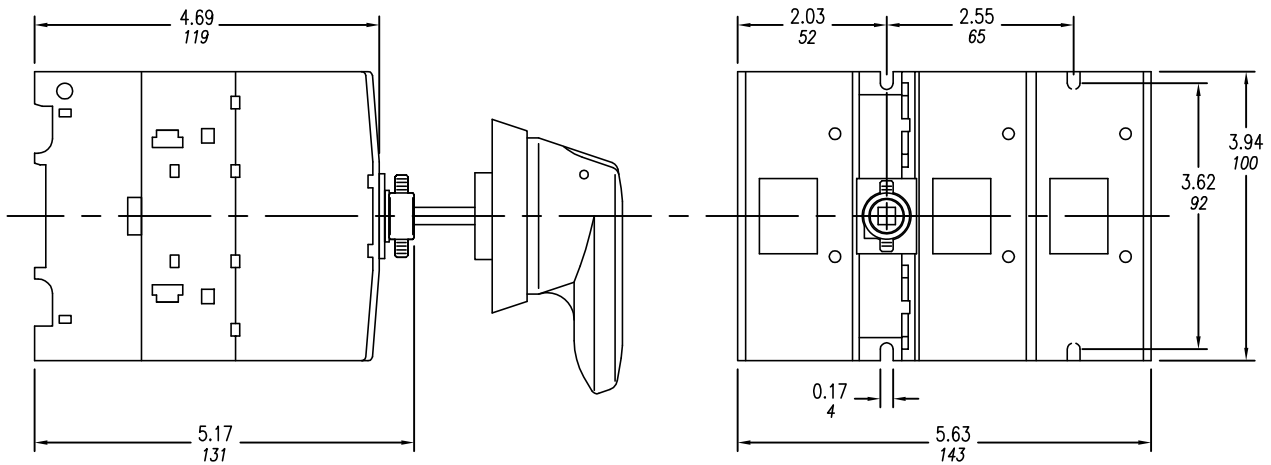
## Approximate dimensions OS30FA\_12 – OS60J\_12

00.00 Inches  
00.00 [Millimeters]

### OS30FA\_12



### OS60J\_12

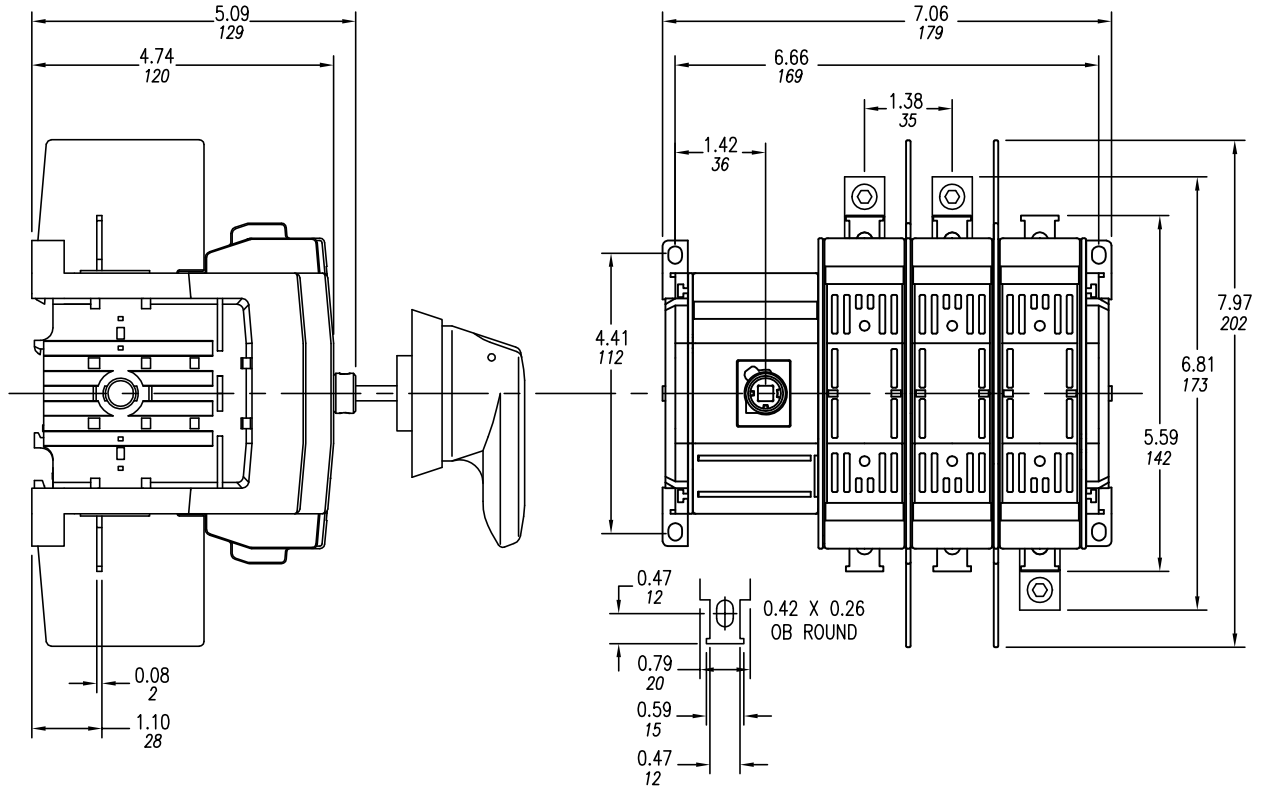


# Approximate dimensions OS100J03 – OS200J03

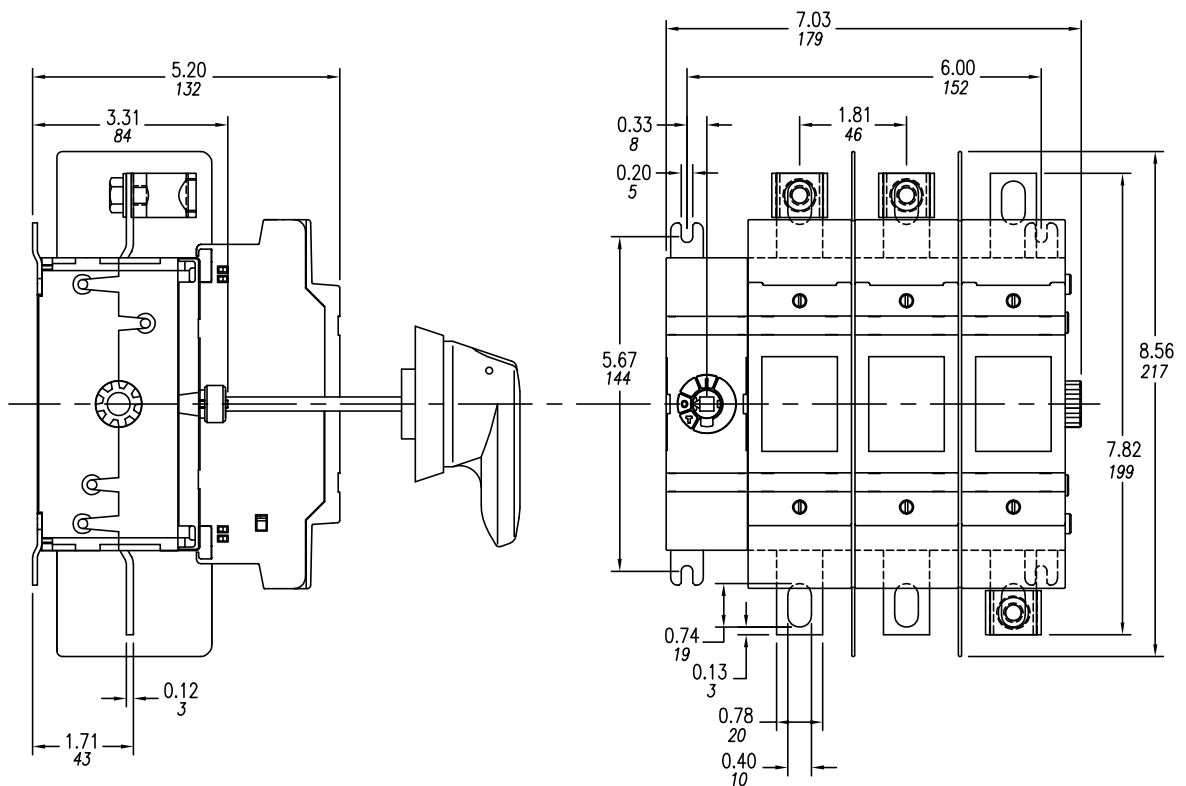
Disconnect  
switches  
Dimensions

00.00 Inches  
00.00 [Millimeters]

## OS100J03



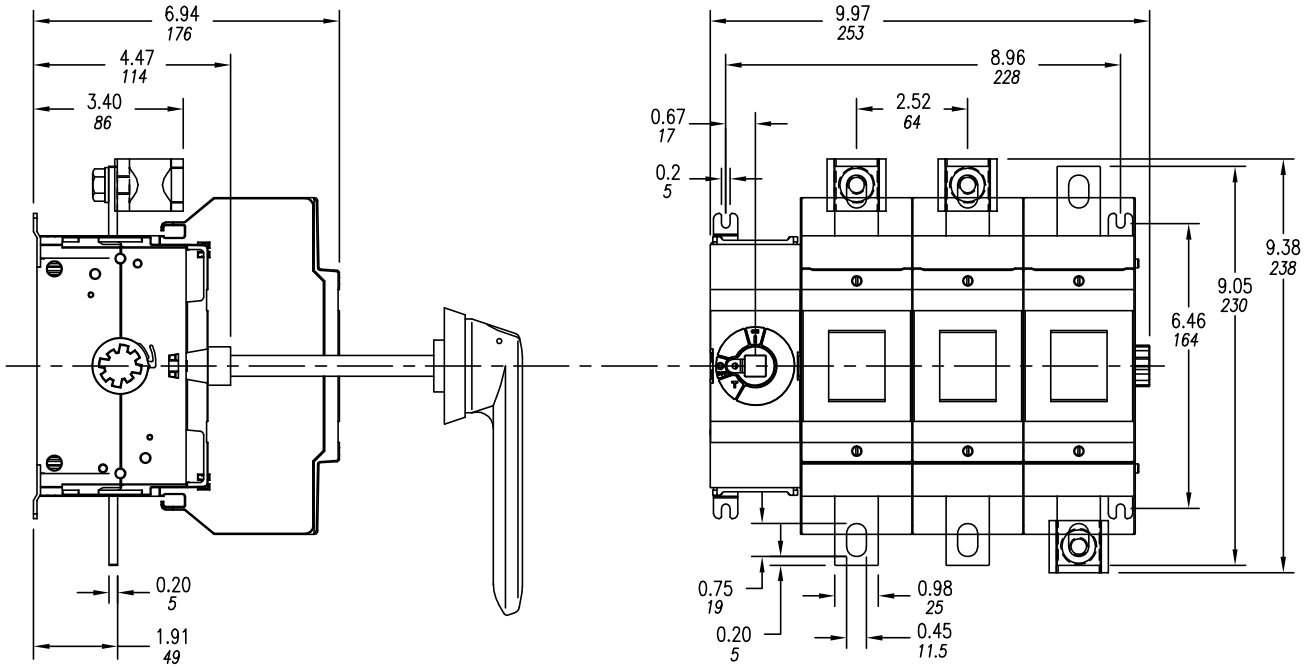
## OS200J03



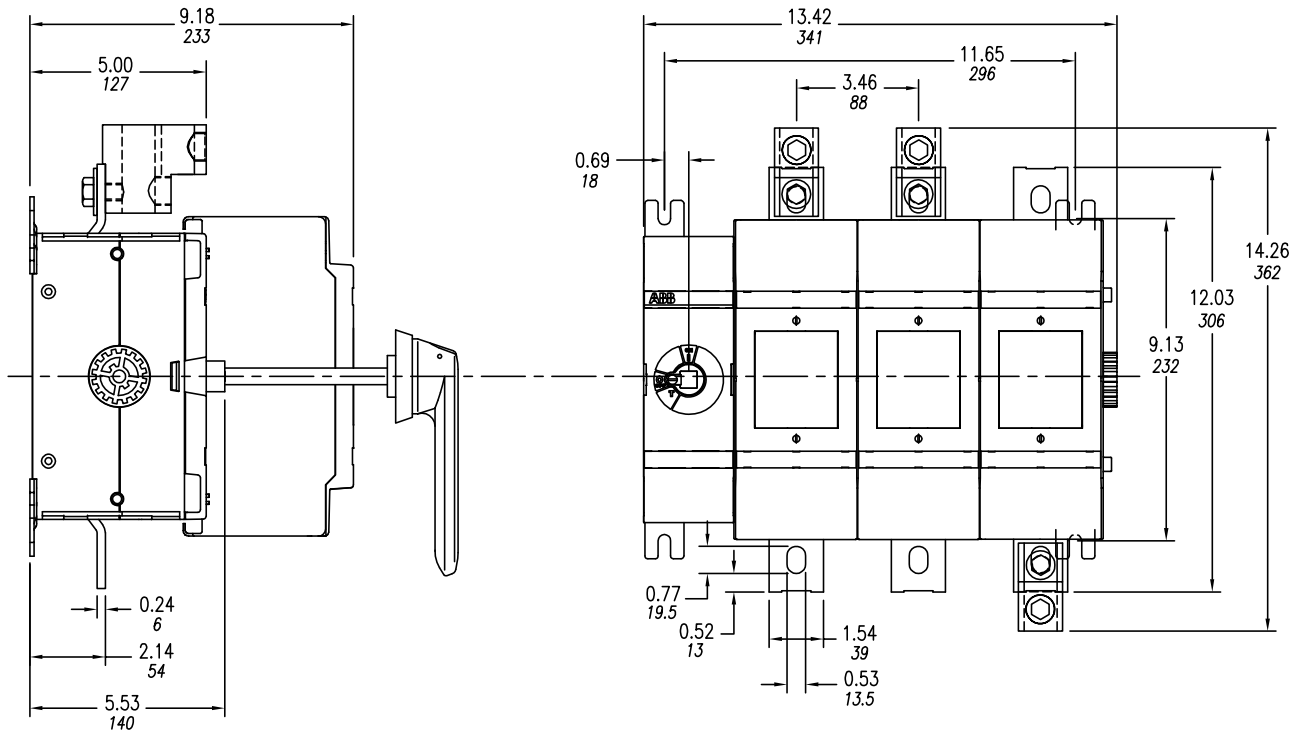
Approximate dimensions  
OS400J03 — OS600J03

00.00 Inches  
00.00 [Millimeters]

OS400J03



OS600J03

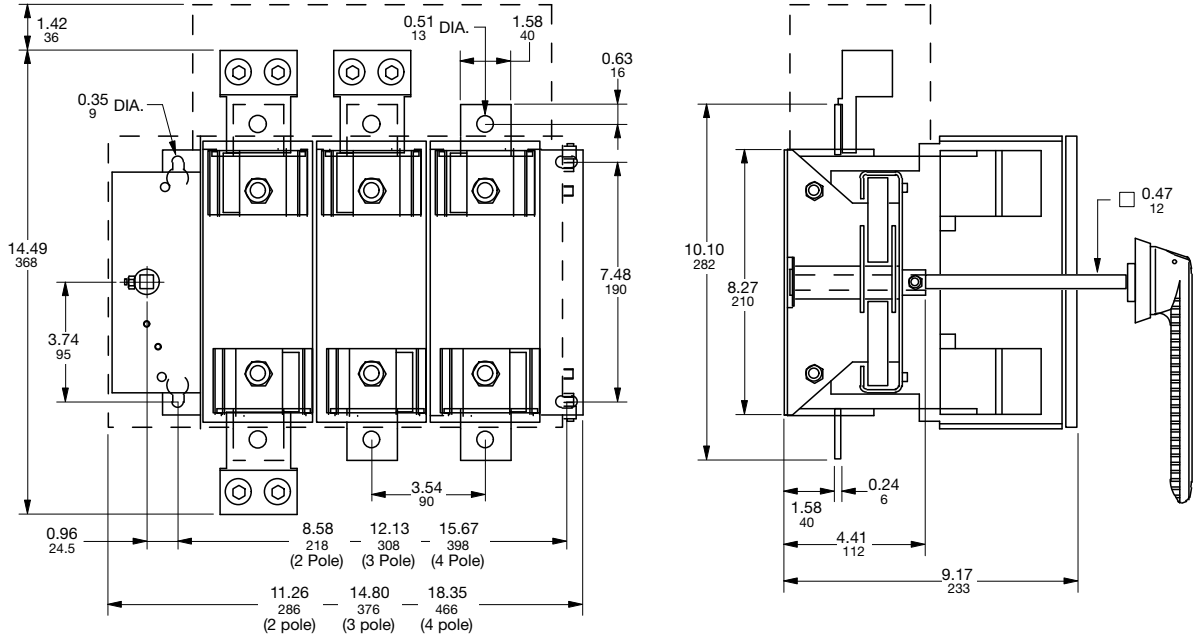


# Approximate dimensions OES800L3

Disconnect  
switches  
Dimensions

00.00 Inches  
00.00 [Millimeters]

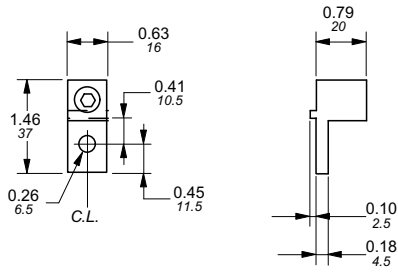
## OES800L3



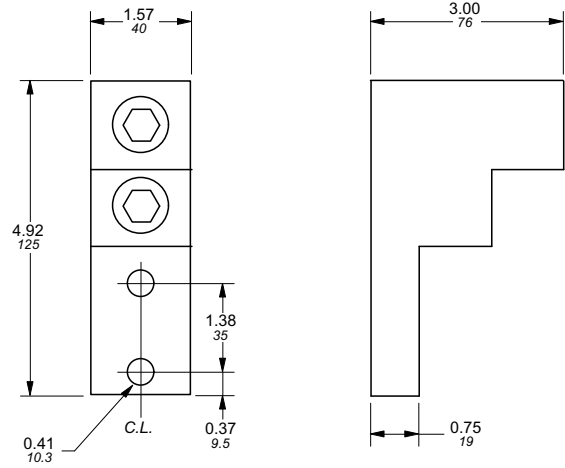
# Approximate dimensions for Terminal lugs

00.00 Inches  
00.00 [Millimeters]

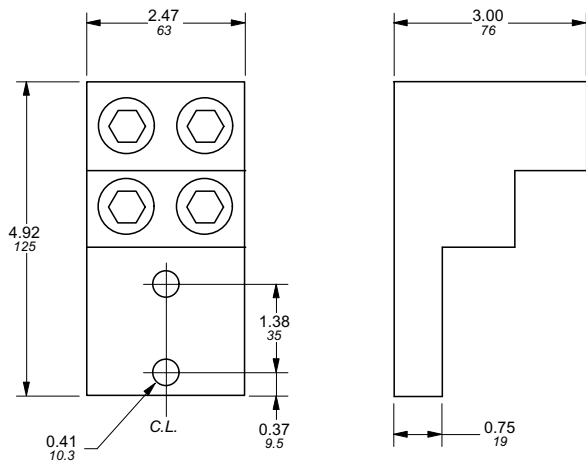
**OZXA-24**



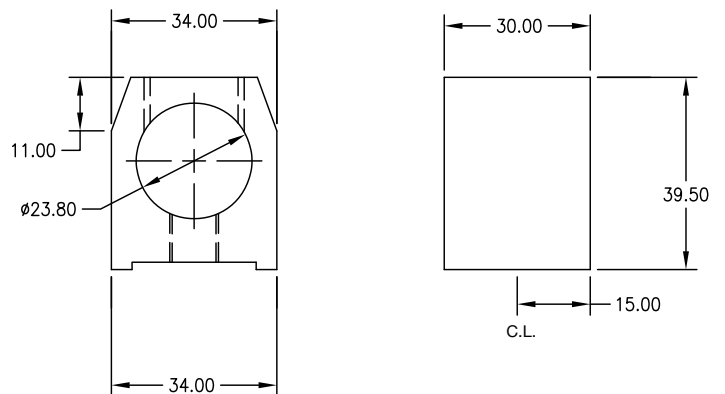
**OZXA-30**



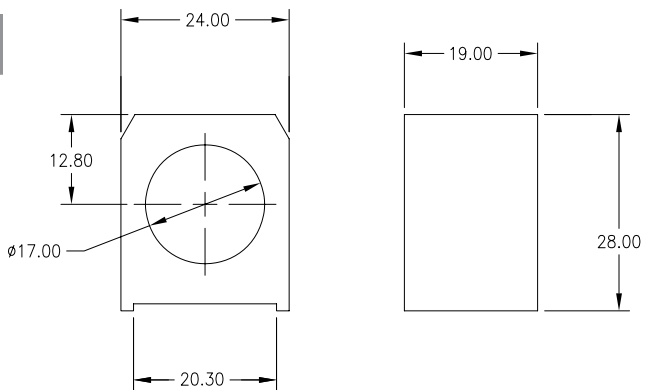
**OZXA-28 & OZXA-28/2**



**OZXA-400**



**OZXA-200**

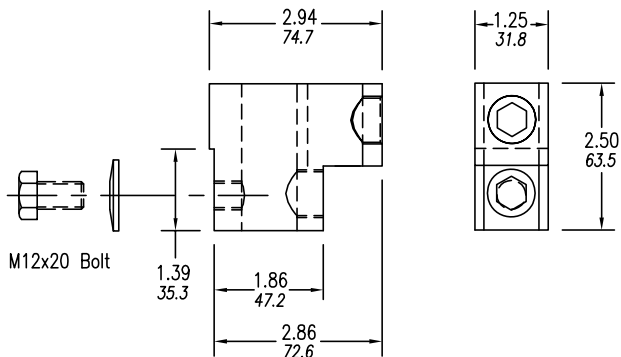


# Approximate dimensions for Terminal lugs

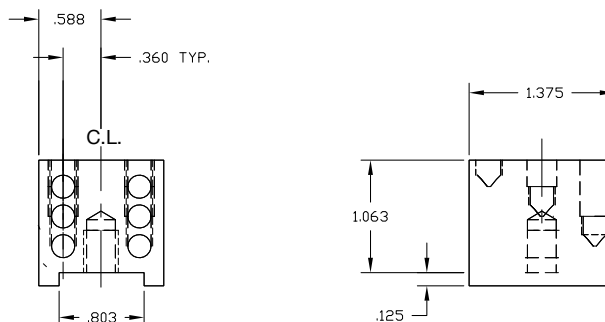
Disconnect  
switches  
Dimensions

00.00 Inches  
00.00 [Millimeters]

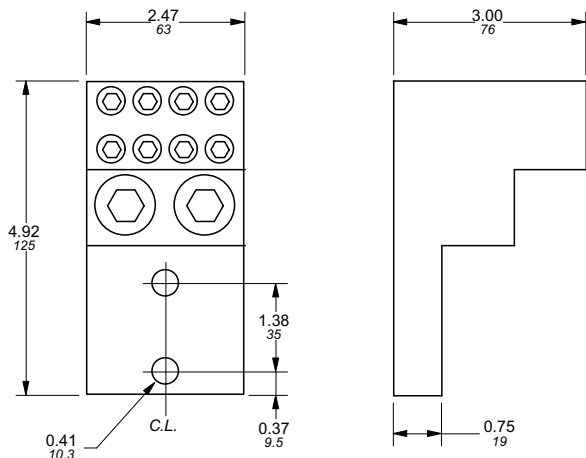
## OZXA-800



## OZXA-406



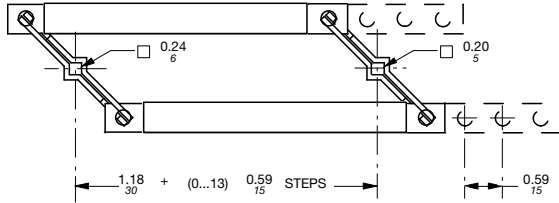
## OZXA-32



## Approximate dimensions for 16A – 100A conversion mechanisms

← 00.00 Inches  
00.00 [Millimeters] →

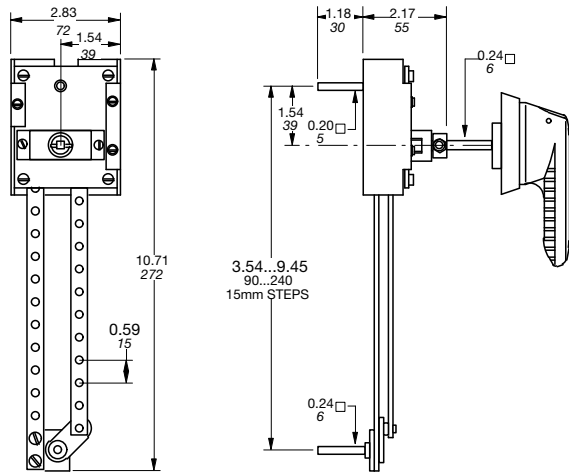
### 6 or 8 pole – OTZW8



For installation of 6 or 8 pole, transfer and bypass mechanisms, the following minimum and maximum mounting dimensions are given below.

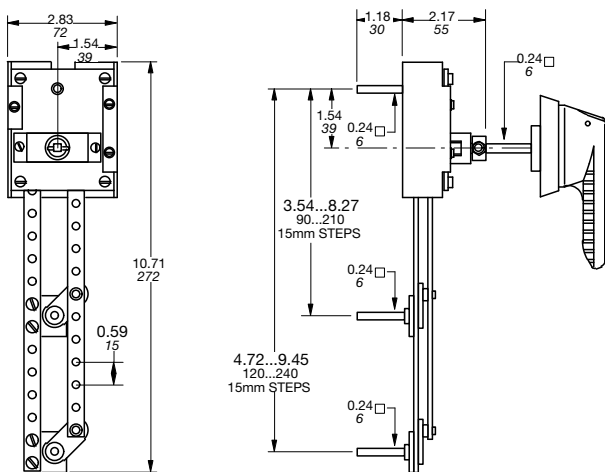
OTZW8 in combination with:	Minimum inches/mm	Maximum inches/mm
OT16F3, OT25F3, OT40F3	3.07/78	N/A
OT63F3, OT80F3	3.74/95	N/A
OT30F3, OT60F3, OT100F3	3.82/97	N/A

### Double throw switch – OTZW6, OTZW6X



OESA-ZW1, OESA-ZW1X in combination with:	Minimum inches/mm	Maximum <sup>①</sup> inches/mm
OT16F3, OT25F3, OT40F3	4.61/117	6.57/167
OT63F3, OT80F3	5.31/135	7.28/185
OT30F3, OT60F3, OT100F3	4.84/123	6.81/173

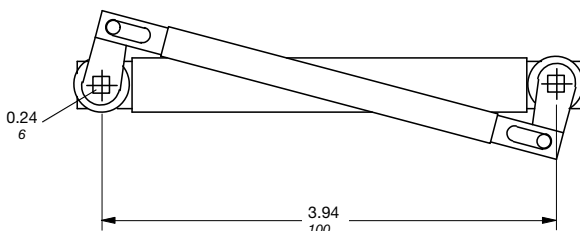
### Bypass switch – OTZW17, OTZW17X



OTZW17, OTZW17X in combination with:	Minimum inches/mm	Maximum <sup>①</sup> inches/mm
OT16F3, OT25F3, OT40F3	4.61/117	6.57/167
OT63F3, OT80F3	5.31/135	7.28/185
OT30F3, OT60F3, OT100F3	4.84/123	6.81/173

18

### Mechanical interlock – OETL-ZW24



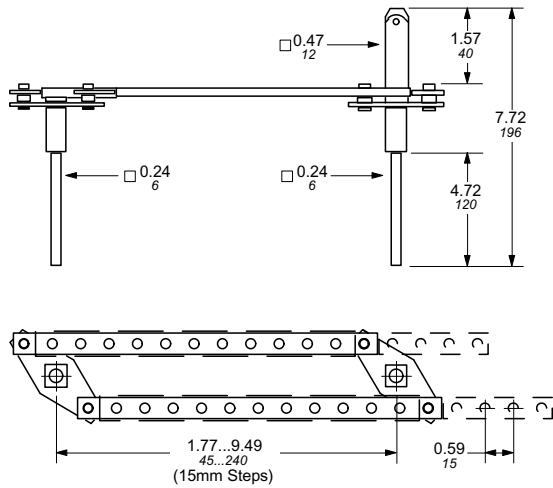
OETL-ZW24 in combination with:	Minimum inches/mm	Maximum <sup>①</sup> inches/mm
OT16F3, OT25F3, OT40F3	3.39 / 86	—
OT63F3, OT80F3	4.09 / 104	—
OT30F3, OT60F3, OT100F3	4.13 / 105	—

① Deeper enclosures will require a longer shaft. Please select a 6mm shaft from page 18.5.

## Approximate dimensions for 125 – 200A conversion mechanisms

00.00 Inches  
00.00 [Millimeters]

### 6 or 8 pole – OESA-ZW2

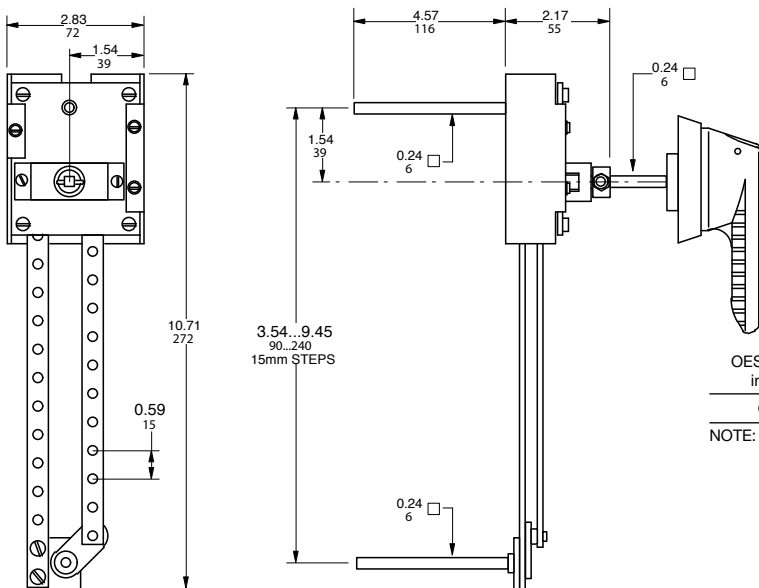


For installation of 6 or 8 pole, transfer and bypass mechanisms, the following minimum and maximum mounting dimensions are given below.

OESA-ZW2 in combination with:	Minimum inches/mm	Maximum inches/mm
OT160 - OT200	5.35/136	9.49/241

NOTE: Deeper enclosures will require a longer shaft. Please select a 12mm shaft from page 18.7 and an OETL-ZX95 shaft extension coupler from page 18.10.

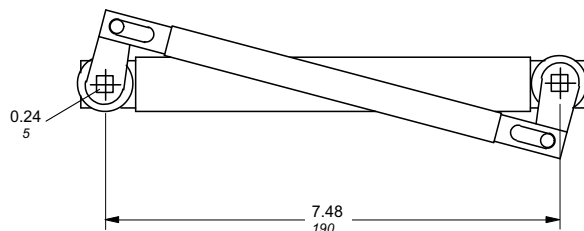
### Double throw switch – OESA-ZW1, OESA-ZW1X



OESA-ZW1, OESA-ZW1X in combination with:	Minimum inches/mm	Maximum inches/mm
OT160 - OT200	4.61/117	6.57/167

NOTE: Deeper enclosures will require a longer shaft. Please select a 6mm shaft from page 18.7

### Mechanical interlock – OTZW10



OTZW10 in combination with:	Minimum inches/mm	Maximum inches/mm
OT160 - OT200	4.13 / 105	—

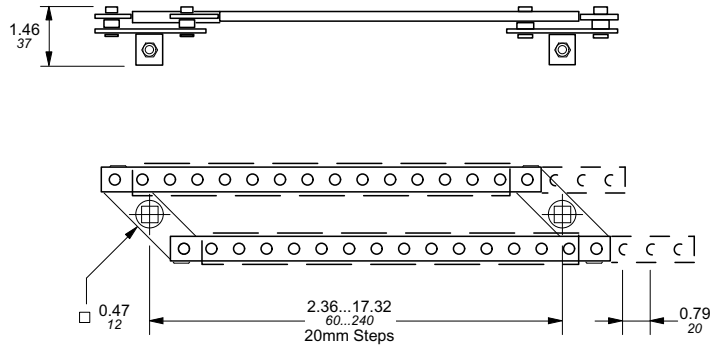
NOTE: Deeper enclosures will require a longer shaft. Please select a 6mm shaft from page 18.7



## Approximate dimensions for 400A – 1200A conversion mechanisms

← 00.00 → Inches  
00.00 [Millimeters]

### 6 or 8 pole — OETL-ZW9

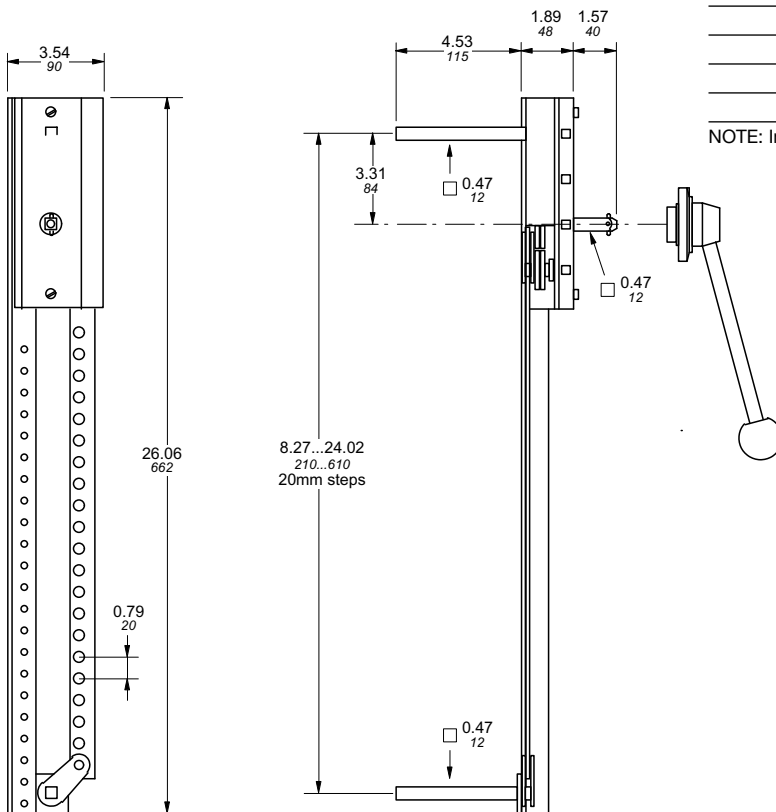


For installation of 6 or 8 pole, transfer and bypass mechanisms, the following minimum and maximum mounting dimensions are given below.

OETL-ZW9 in combination with:	Minimum inches/mm	Maximum inches/mm
OT400	7.52/191	N/A
OT600	7.52/191	N/A
OETL-NF800A	7.52/191	N/A
OETL-NF1200	7.52/191	N/A

NOTE: Handle not included

### Double throw — OETL-ZW12



OETL-ZW12 in combination with:	Minimum inches/mm	Maximum <sup>①</sup> inches/mm
OT400	8.19/208	11.73/298
OT600	8.19/208	11.73/298
OETL-NF800A	8.19/208	11.73/298
OETL-NF1200	8.19/208	11.73/298

NOTE: Includes YASDA-21 handle

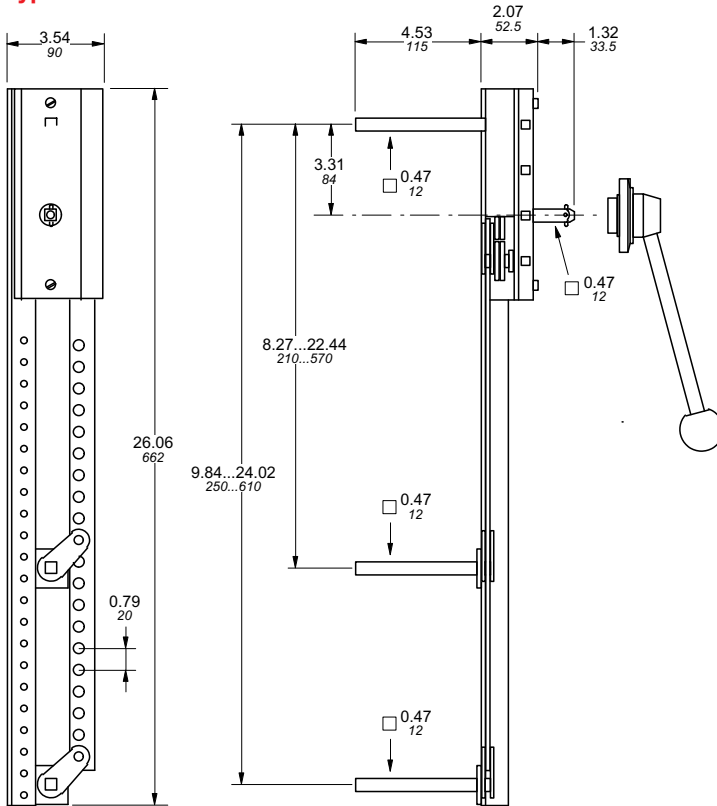
① Deeper enclosures will require a longer shaft. Please select a 12mm shaft from page 18.7 and an OETL-ZX95 shaft extension coupler from pg. 18.10.

# Approximate dimensions for 400A – 3150A conversion mechanisms

Disconnect  
switches  
Dimensions

00.00 Inches  
00.00 [Millimeters]

## Bypass switch – OETL-ZW13

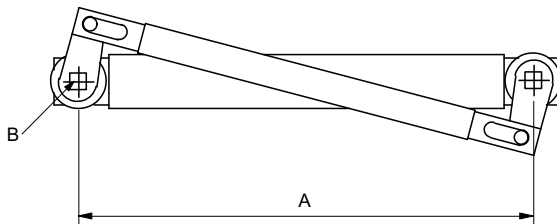


For installation of 6 or 8 pole, transfer and bypass mechanisms, the following minimum and maximum mounting dimensions are given below.

OETL-ZW12 in combination with:	Minimum inches/mm	Maximum <sup>Ⓞ</sup> inches/mm
OT400	8.19/208	11.73/298
OT600	8.19/208	11.73/298
OETL-NF800A	8.19/208	11.73/298
OETL-NF1200	8.19/208	11.73/298

NOTE: Includes YASDA-21 handle

## Mechanical interlock – OETL-ZW3, OETL-ZW14, OETL-ZW15



Dimensions in Inches  
& mm

	A	B
OETL-ZW3	11.81 300.0	0.47 12.0
OETL-ZW14	9.84 250.0	0.47 12.0
OETL-ZW15	19.69 500.0	0.47 12.0

OETL-ZW3, 14 & 15 in combination with:	Minimum inches/mm	Maximum <sup>Ⓞ</sup> inches/mm
OT400 & OT600	6.50/165	–
OETL-NF800 – OETL-NF1200	6.30/160	–
OETL-NF1600 – OETL-NF3150	12.00/305	–

NOTE: Handle(s) not included.

NOTE: OETL-ZW15 is the only mechanical interlock  
OETL-NF1200 – OETL-NF3150 can use.

Ⓞ Deeper enclosures will require a longer shaft. Please select a 12mm shaft from page 18.7 and an OETL-ZX95 shaft extension coupler from page 18.10.

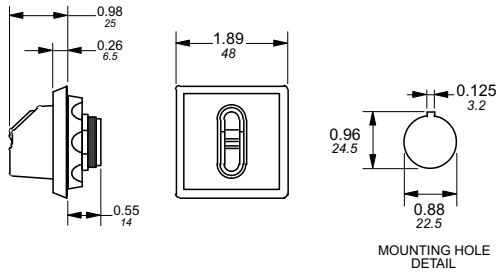
# Approximate dimensions for Handles

← 00.00 Inches  
00.00 → [Millimeters]

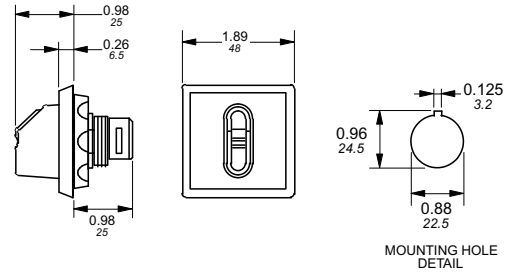
## Selector handles for base and DIN rail mounted switches

## Selector handles for door mounted switches

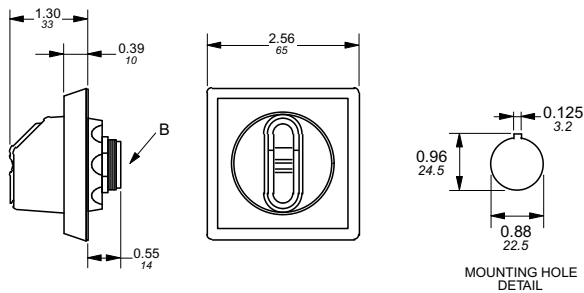
### OH\_S1AH1 & OH\_S3AH1



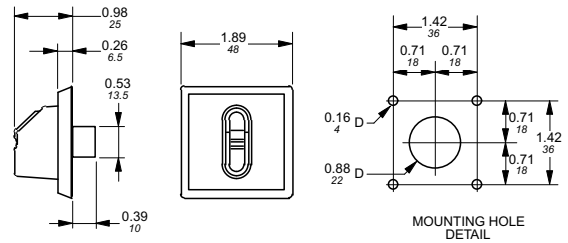
### OH\_S1P\_ & OH\_S3P\_



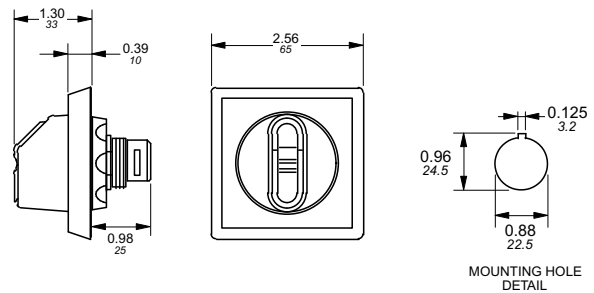
### OH\_S2A\_



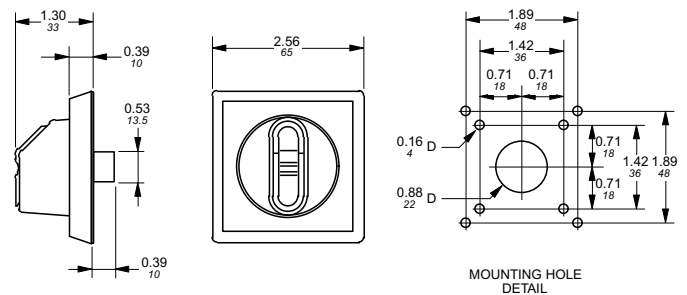
### OH\_S1R\_ & OH\_S3R\_



### OH\_S2P\_



### OH\_S2R\_

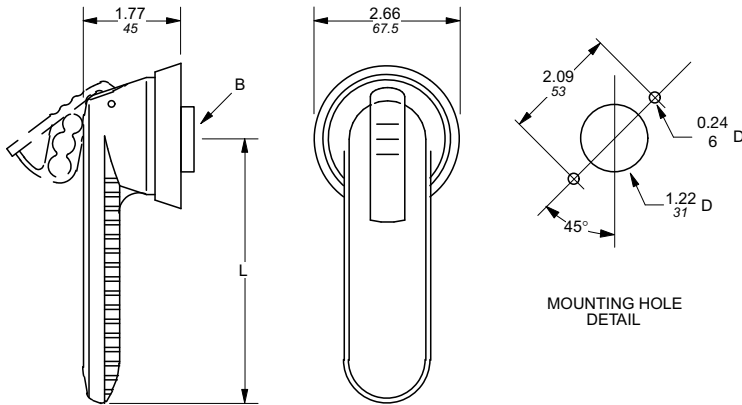


# Approximate dimensions for Handles

Disconnect  
switches  
Dimensions

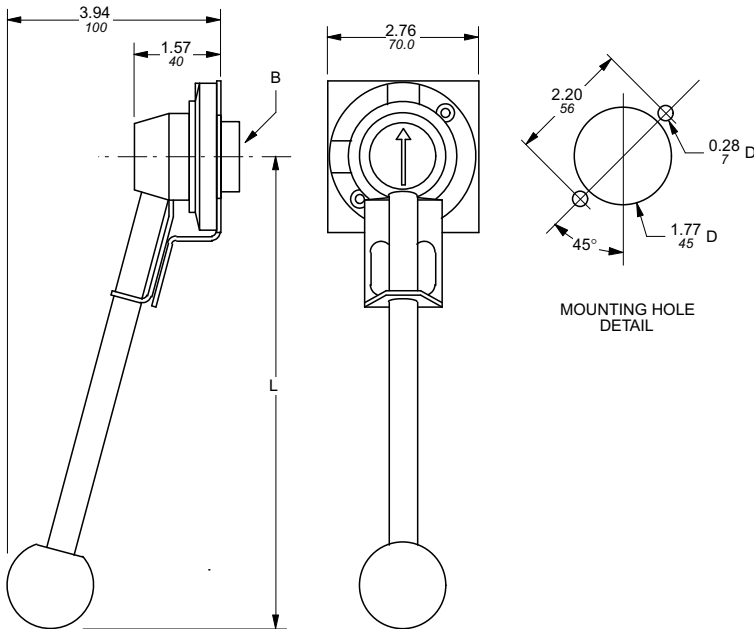
00.00 Inches  
00.00 [Millimeters]

## Pistol handles

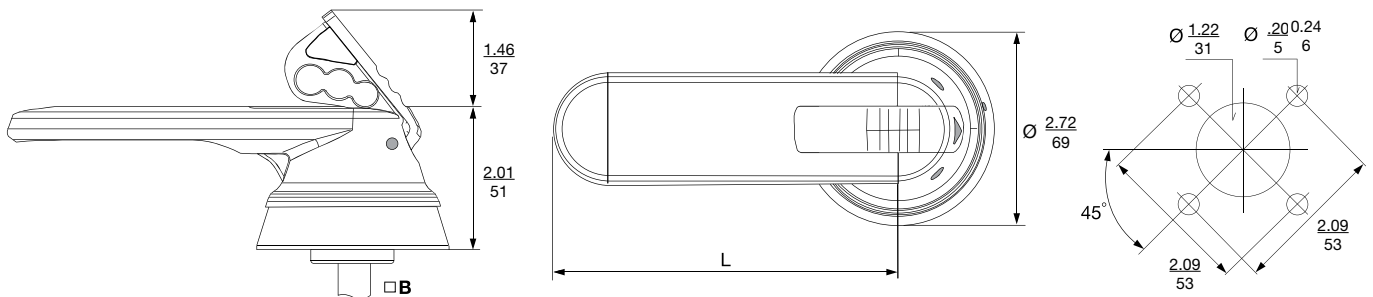


A Catalog number	L Inches/ mm	□B Shaft size Inches/ mm	NEMA / UL Type
OH_45J6	1.8/45	0.24/6	1, 3R, 12
OH_65J6	2.6/65	0.24/6	1, 3R, 12
OH_80J6	3.1/80	0.24/6	1, 3R, 12
OH_125J12	4.9/125	0.47/12	1, 3R, 12
OH_145J12	5.7/145	0.47/12	1, 3R, 12
OH_175J12	6.9/175	0.47/12	1, 3R, 12
OH_80L6	3.1/80	0.24/6	1, 3R, 4, 4X, 12
OH_145L12	5.7/145	0.47/12	1, 3R, 4, 4X, 12
OH_175L12	6.9/175	0.47/12	1, 3R, 4, 4X, 12

□ = Handle color, B (Black) or Y (Red/Yellow)



A catalog number	L inches/mm	□B Shaft size inches/mm	NEMA Type
YASDA-7	8.66/220	0.47/12	1, 3R, 4, 4X, 12
YASDA-8	8.66/220	0.47/12	1, 3R, 4, 4X, 12
YASDA-21	8.66/220	0.47/12	1, 3R, 4, 4X, 12
YASDA-6	12.60/320	0.47/12	1, 3R, 4, 4X, 12



Handle type	OHM65L6	OHM125L12	OHM175L12	OHM275L12
L	2.6/65	4.9/125	6.9/175	10.8/225
□B	.24/6	.47/12	.47/12	.47/12

## Approximate dimensions 2, 3 & 4 Pole ② 30A – 800A Fusible

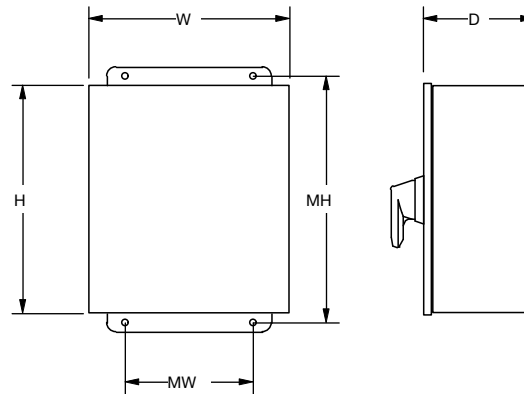
00.00      Inches  
00.00      [Millimeters]

### Fusible

Frame size	Enclosure type	H height	W width	D depth	MH mtg. height	MW mtg. width	Weight
OS30_	1	10.0	8.0	5.0	7.0	7.0	12
	3R	10.0	8.0	5.0	10.75	6.0	12
	4	10.0	8.0	6.0	10.75	6.0	12
	4X SS	10.0	8.0	5.0	10.75	6.0	12
	4X Plastic	10.0	8.0	5.9	10.75	6.0	8.0
	12	10.0	8.0	5.0	10.75	6.0	12
OS60_	1	10.0	8.0	6.0	7.0	7.0	13
	3R	10.0	8.0	6.0	10.75	6.0	13
	4	10.0	8.0	6.0	10.75	6.0	13
	4X SS	10.0	8.0	6.0	10.75	6.0	13
	4X Plastic	10.0	8.0	5.9	10.75	6.0	9.0
	12	10.0	8.0	6.0	10.75	6.0	13
OS100_	1	14.0	12.0	8.0	11.0	9.0	22
	3R	14.0	12.0	8.0	14.75	10.0	22
	4	14.0	12.0	8.0	14.75	10.0	22
	4X SS	14.0	12.0	8.0	14.75	10.0	22
	4X Plastic	14.0	12.0	8.0	14.75	10.0	16
	12	14.0	12.0	8.0	14.75	10.0	22
OS200_	1	24.0	16.0	8.0	25.5	14.5	75
	3R	24.0	16.0	8.0	25.5	14.5	75
	4	24.0	16.0	8.0	25.5	14.5	75
	4X SS	24.0	16.0	8.0	25.5	14.5	75
	4X Plastic	①	①	①	①	①	①
	12	24.0	16.0	8.0	25.5	14.5	75

Frame size	Enclosure type	H height	W width	D depth	mtg. height	MW mtg. width	Weight
OS400_	1	36.0	24.0	12.0	37.5	22.5	150
	3R	36.0	24.0	12.0	37.5	22.5	150
	4	36.0	24.0	12.0	37.5	22.5	150
	4X SS	36.0	24.0	12.0	37.5	22.5	150
	4X Plastic	①	①	①	①	①	①
	12	36.0	24.0	12.0	37.5	22.5	150
OS600_	1	42.0	36.0	12.0	43.5	34.5	150
	3R	42.0	36.0	12.0	43.5	34.5	150
	4	42.0	36.0	12.0	43.5	34.5	150
	4X SS	42.0	36.0	12.0	43.5	34.5	150
	4X Plastic	①	①	①	①	①	①
	12	42.0	36.0	12.0	43.5	34.5	150
OES800_	1	48.0	24.0	12.0	49.5	22.5	170
	3R	48.0	24.0	12.0	49.5	22.5	170
	4	48.0	24.0	12.0	49.5	22.5	170
	4X SS	48.0	24.0	12.0	49.5	22.5	170
	4X Plastic	①	①	①	①	①	①
	12	48.0	24.0	12.0	49.5	22.5	170

① Please consult factory, enclosures are sized to suit specific customer needs.  
② Some 4-pole switches require larger enclosures. Please consult factory.



# Approximate dimensions 2, 3 & 4 Pole ③ 16A – 3150A, Non-fusible

Disconnect  
switches  
Dimensions

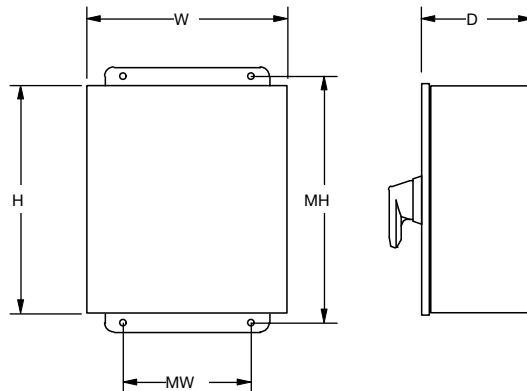
00.00    Inches  
00.00    [Millimeters]

## Non-Fusible

Frame size	Enclosure type	H height	W width	D depth	MH mtg. height	MW mtg. width	Weight
OT16_ OT25_ OT40_	1	7.0	5.0	3.0	4.0	4.0	4.0
	3R	7.0	5.0	3.0	7.75	3.0	4.0
	4	6.0	6.0	4.0	6.75	4.0	4.0
	4X SS	7.0	5.0	3.0	7.75	3.0	4.0
	4X Plastic	6.0	6.0	5.9	6.75	4.0	4.0
	12	7.0	5.0	3.0	7.75	3.0	4.0
	IP65 (A) IP65 (B)	4.8 5.9	3.4 5.1	2.4 2.4	4.17 5.35	2.80 4.57	1.0 1.0
OT30_ OT60_ OT63_ OT80_	1	8.0	6.0	4.0	7.0	5.0	6.0
	3R	8.0	6.0	4.0	8.75	4.0	6.0
	4	8.0	6.0	4.0	8.75	4.0	6.0
	4X SS	8.0	6.0	4.0	8.75	4.0	6.0
	4X Plastic	8.0	6.0	5.9	8.75	4.0	6.0
	12	8.0	6.0	4.0	8.75	4.0	6.0
	IP65 (A) IP65 (B)	7.9 15.8	5.7 7.9	3.6 5.5	7.24 14.8	5.16 6.93	4.0 4.0
OT100	1	10.0	8.0	5.0	7.0	7.0	9.0
	3R	10.0	8.0	5.0	10.75	6.0	9.0
	4	10.0	8.0	4.0	10.75	6.0	9.0
	4X SS	10.0	8.0	5.0	10.75	6.0	9.0
	4X Plastic	10.0	8.0	5.9	10.75	6.0	9.0
	12	10.0	8.0	5.0	10.75	6.0	9.0
	IP65 (A) IP65 (B)	7.9 15.8	5.7 7.9	3.6 5.5	7.24 14.8	5.16 6.93	4.0 4.0
OT160	1	14.0	12.0	8.0	11.0	9.0	20
	3R	14.0	12.0	8.0	14.75	10.0	20
	4	14.0	12.0	6.0	14.75	10.0	20
	4X SS	14.0	12.0	8.0	14.75	10.0	20
	4X Plastic	14.0	12.0	6.0	14.75	10.0	12
	12	14.0	12.0	8.0	14.75	10.0	20

Frame size	Enclosure type	H height	W width	D depth	mtg. height	MW mtg. width	Weight
OT200	1	20.0	16.0	6.0	25.5	14.5	50
	3R	20.0	16.0	6.0	25.5	14.5	50
	4	20.0	16.0	6.0	25.5	14.5	50
	4X SS	20.0	16.0	6.0	25.5	14.5	50
	4X Plastic	20.0	16.0	8.0	25.5	14.5	40
	12	20.0	16.0	6.0	25.5	14.5	50
OT400	1	36.0	24.0	8.0	37.5	22.5	120
	3R	36.0	24.0	8.0	37.5	22.5	120
	4	①	①	①	①	①	①
	4X SS	36.0	24.0	8.0	37.5	22.5	130
	4X Plastic	①	①	①	①	①	①
	12	36.0	24.0	8.0	37.5	22.5	120
OT600	1	36.0	24.0	12.0	37.5	22.5	120
	3R	36.0	24.0	12.0	37.5	22.5	120
	4	36.0	24.0	12.0	37.5	22.5	120
	4X SS	36.0	24.0	12.0	37.5	22.5	120
	4X Plastic	40.0	32.0	12.0	41.2	30.2	120
	12	36.0	24.0	12.0	37.5	22.5	120
OETL-NF800A OETL-NF1200	1	60.0	36.0	12.0	61.5	34.5	200
	3R	60.0	36.0	12.0	61.5	34.5	200
	4	60.0	36.0	12.0	61.5	34.5	200
	4X SS	60.0	36.0	12.0	61.5	34.5	200
	4X Plastic	①	①	①	①	①	①
	12	60.0	36.0	12.0	61.5	34.5	200
OETL-NF1600 OETL-NF2000 OETL-NF3150	1	90.0	36.0	24.0	②	②	600
	3R	90.0	36.0	24.0	②	②	600
	4	①	①	①	①	①	①
	4X SS	①	①	①	①	①	①
	4X Plastic	①	①	①	①	①	①
	12	90.0	36.0	24.0	②	②	600

- ① Please consult factory, enclosures are sized to suit specific customer needs.
- ② Enclosure is free standing.
- ③ Some 4-pole switches require larger enclosures. Please consult factory.



600V, 16A - 3150A  
2, 3 and 4-pole switches  
Enclosure dimensions

