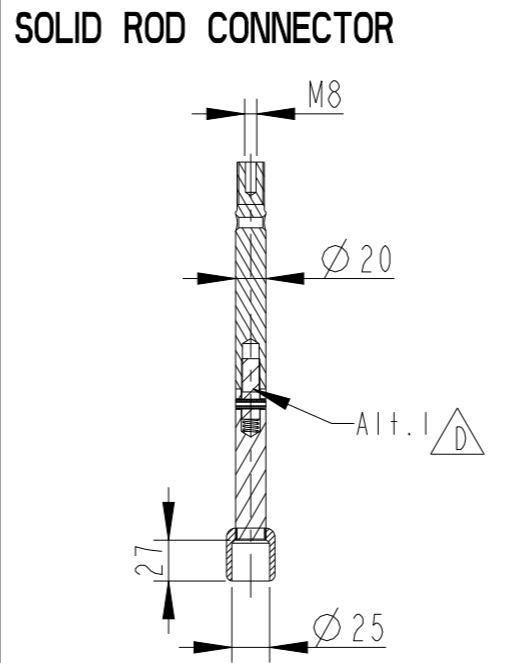
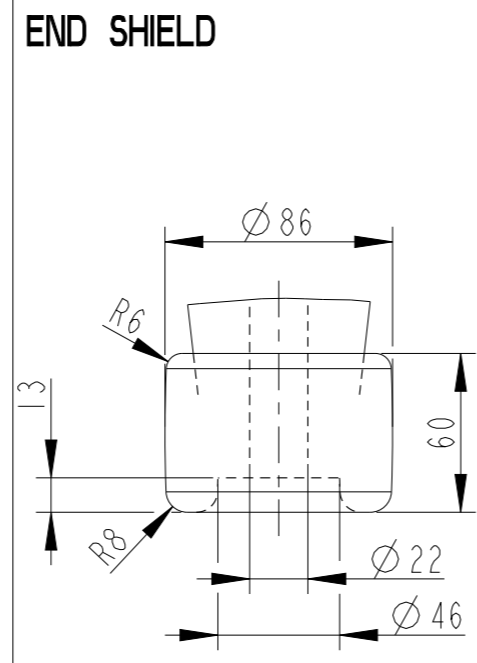
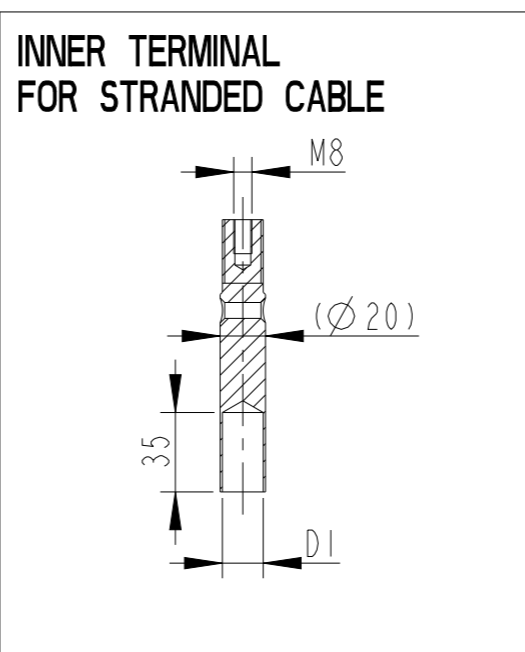
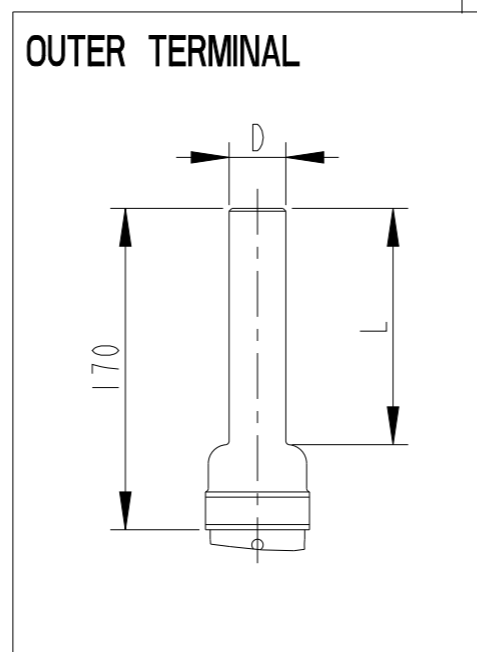
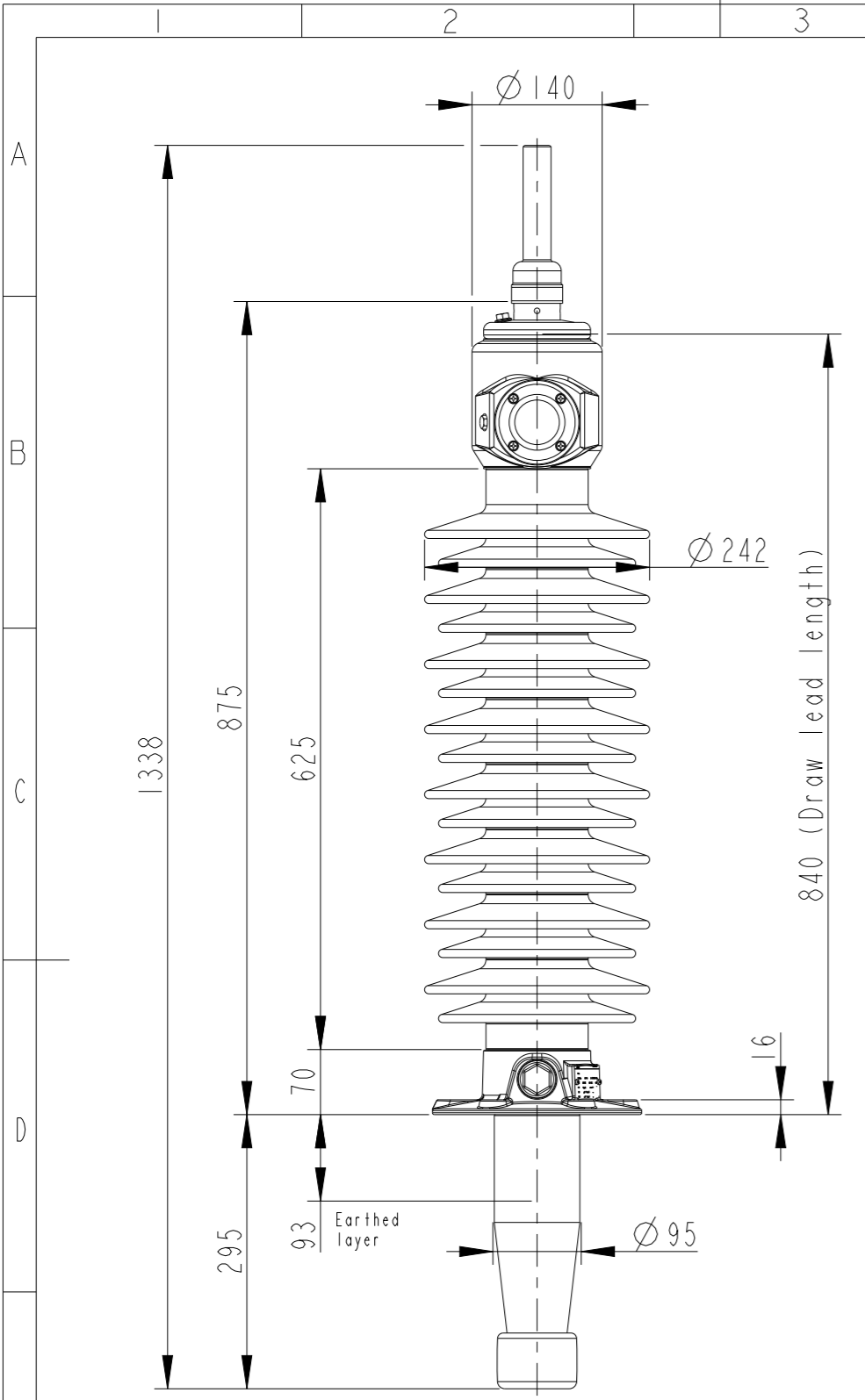


This document is issued by means of a computerized system. The digitally stored original is electronically approved. The approved document has a date entered in the "Approved"-field. A manual signature is not required.

We reserve all rights in this document and in the information contained therein. Reproduction, use or disclosure to third parties without express authority is strictly forbidden.

Revision	Revision text
D	Removed Alt.2, Changed the Phase to ground voltage from 72.5 to 42kV



Bushing Data:

Rated Voltage	72.5	kV
Phase to Ground Voltage	$\triangle D$ 42	kV
Dry Lightning Impulse 1,2/50 μ s	350	kV
Wet power frequency AC	140	kV
Routine test Imin dry 50Hz	160	kV
Rated Current	800	A
Creepage Distance	2240 \pm 50	mm
Creepage Distance Protected	775	mm
Mass	36	kg

Ordering Data:

BUSHING	COLOUR	AIR INSULATOR
LF123177-K	BROWN	
LF123177-L	LIGHT GREY	
LF123177-HK	BROWN	Horizontal 45°-90°
LF123177-HL	LIGHT GREY	Horizontal 45°-90°

OUTER TERMINAL	Material	D	L
LF 170 002-A	Cu Alloy	\varnothing 30	125
LF 170 001-A	Al	\varnothing 30	125

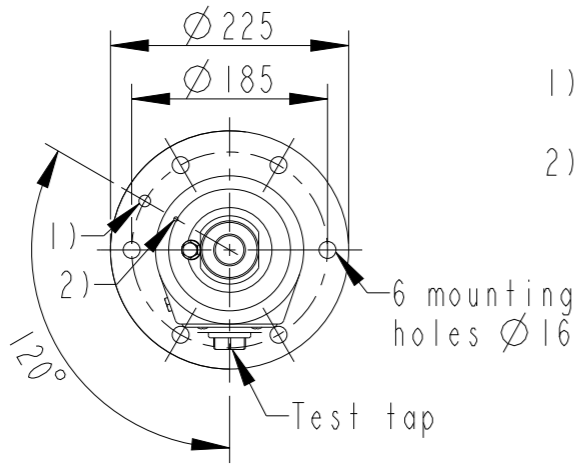
OTHER TYPES ON REQUEST

INNER TERMINAL FOR STRANDED CABLE

For brazing	Conductor area	D1
LF 170 011-S	up to 150mm ²	\varnothing 18
LF 170 011-U	Undrilled with pilot hole \varnothing 5	

For crimping or brazing	Conductor area	D1
LF 170 010-M	50mm ²	\varnothing 11
LF 170 010-N	70mm ²	\varnothing 13
LF 170 010-L	95mm ²	\varnothing 15

SOLID ROD CONNECTOR	Material
LF 170 019 -AN for Alt.1	Cu



- 1) M12 (For Earthing)
- 2) \varnothing 4 Oil connection hole (only valid for horizontal mounting)

ABB		Ludvika, Sweden	
No.	kV Ir	A	50/60 Hz
Um	kV SL	kV AC	kV
BL	kg L	mm	✓
M	pF	Tan δ	x
C1	pF	Tan δ	x
C2	pF	Tan δ	x

Approved 2020-01-13	Document Kind Outline Drawing	Based on doc. id	Work order id	Project id
Company ABB Technology Ltd	Title, Supplementary title GOB 325-800-0 WITH OIL LEVEL GAUGE SHORT END SHIELD			
Responsible Department SEABB-9AAE300824	Document id 2751369-181	Status Released	Revision D	Iteration 1/1
ABB				