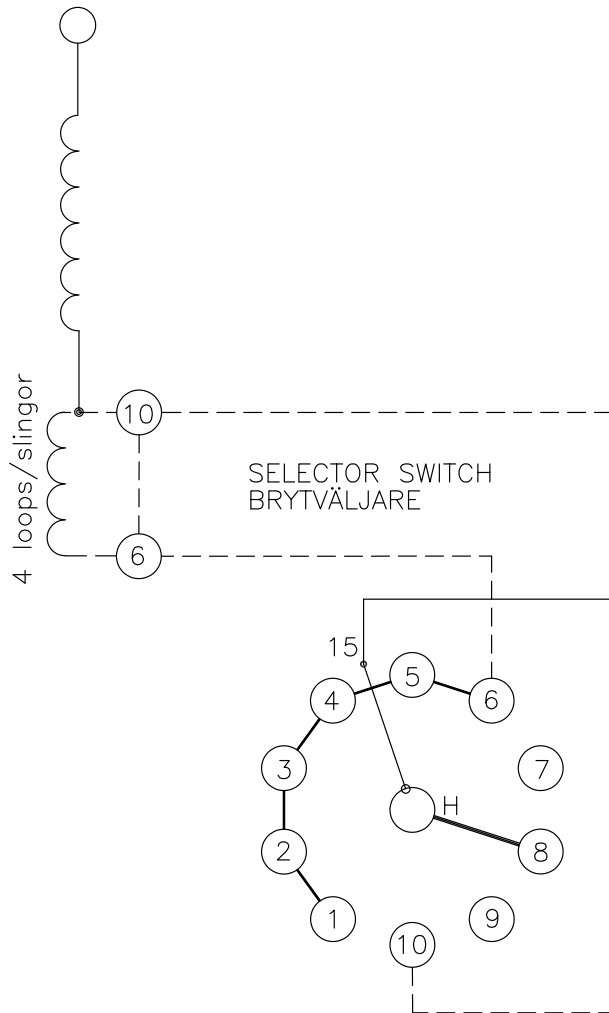


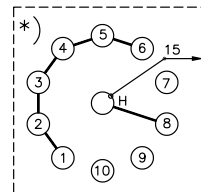
On-load tap-changer type VUBBL, UBBL,
5 tap positions, linear switching.
Max effective No. of turns in pos 1.
The tap-changer is delivered set in pos 3.

Lindningskopplare typ VUBBL, UBBL,
5 lägen, linjär-koppling.
Max antal effektiva varv i läge 1.
Lindningskopplaren levereras inställd i läge 3.

Pos Läge	H connects förbinder
1	6 - 15
2	7 - 15
3	8 - 15
4	9 - 15
5	10 - 15



- 1) OUTPUT TERMINAL
STRÖMAVTAGNING
*) FOR VUBB TYPE OF OLTC
I VUBB UTFÖRANDE



- 1) Internal connections between the terminals 15 of the three phases are included in the star-point type. Connection between 1, 2, 3, 4, 5 and 6 are included. Dashed lines show in delivery not included leads belonging to cleats and leads.

Inre förbindningar mellan uttag 15 i de tre faserna ingår i nollpunktsutförande. Förbindningar mellan 1, 2, 3, 4, 5 och 6 ingår. Streckade linjer visar i leveransen ej ingående ledare tillhörande anslutningsdonet.

H Main contact
Huvudkontakt

2	Output for VUBB type added.	DAAN	20	14
1	VUBBL added.	TL	10	27
Rev Ind	Revision	Appd	Year	Week

Accepted by qual control R.Yngvesson	Accepted for prod by	Description (English) CONNECTION DIAGRAM	DATAORIGINAL
Design checked by B-O.Stenestam	Drawn by L.Bergman	Description (own language) KOPPLINGSSHEMA	File name 0387-1
Drawing checked by M.Hedlund	Issued by Dept Year Week COM/TKO 97 32	Lang 1	Sheet 1
Asea Brown Boveri		RevInd 2	Cont -

5492 0387-1

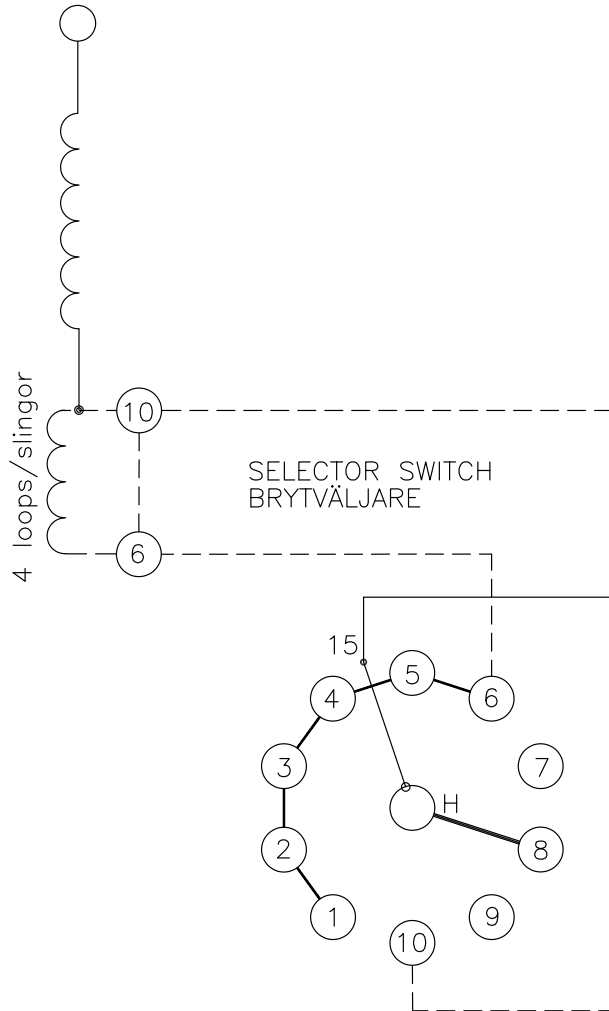
We reserve all rights in this document and in the information contained therein. Reproduction, use or disclosure to third parties without express authority is strictly forbidden.
© ABB '19

Sheet	Cont
Year	Week
Dept	
RevInd	
Design checked by	
Drawn by	

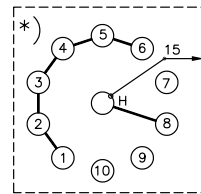
On-load tap-changer type VUBBL, UBBL,
5 tap positions, linear switching.
Max effective No. of turns in pos 1.
The tap-changer is delivered set in pos 3.

Lindningskopplare typ VUBBL, UBBL,
5 lägen, linjär-koppling.
Max antal effektiva varv i läge 1.
Lindningskopplaren levereras inställd i läge 3.

Pos Läge	H connects förbinder
1	6 - 15
2	7 - 15
3	8 - 15
4	9 - 15
5	10 - 15



- 1) OUTPUT TERMINAL
STRÖMAVTAGNING
*) FOR VUBB TYPE OF OLTC
I VUBB UTFÖRANDE



- 1) Internal connections between the terminals 15 of the three phases are included in the star-point type. Connection between 1, 2, 3, 4, 5 and 6 are included. Dashed lines show in delivery not included leads belonging to cleats and leads.

Inre förbindningar mellan uttag 15 i de tre faserna ingår i nollpunktsutförande. Förbindningar mellan 1, 2, 3, 4, 5 och 6 ingår. Streckade linjer visar i leveransen ej ingående ledare tillhörande anslutningsdonet.

H Main contact
Huvudkontakt

2	Output for VUBB type added.	DAAN	20	14
1	VUBBL added.	TL	10	27
Rev Ind	Revision	Appd	Year	Week

Accepted by qual control R.Yngvesson	Accepted for prod by	Description (English) CONNECTION DIAGRAM	DATAORIGINAL
Design checked by B-O.Stenestam	Drawn by L.Bergman	Description (own language) KOPPLINGSSHEMA	File name 0387-1
Drawing checked by M.Hedlund	Issued by Dept Year Week COM/TKO 97 32	Lang 1	Sheet 1
Asea Brown Boveri		RevInd 2	Cont -

5492 0387-1

We reserve all rights in this document and in the information contained therein. Reproduction, use or disclosure to third parties without express authority is strictly forbidden.
© ABB '19

Sheet	Cont
Year	Week
Dept	
RevInd	
Design checked by	
Drawn by	