

Gapless metal-oxide surge arresters

Protection for cables and cable sheaths



Surge arresters limit lightning and switching transients providing excellent protection. Transient voltages caused by traveling waves enter a cable and may lead to doubling of the voltage at the other end. Although the steepness of transient overvoltage is reduced by the cable capacitance, high overvoltages could arise on both ends. Special design of ABB surge arresters allows their installation at the entrance or on both sides of the cable.

If HV and long MV cable sheaths of power cables are earthed on one side only for power loss reduction, a surge arrester is needed on the unearthed end. In this case ABB surge arresters will protect the cable sheath insulation from slow and fast-front overvoltages.

Gapless metal-oxide surge arresters (MO-arresters) with silicone housing provide effective protection for cables against transient overvoltages.

Key features

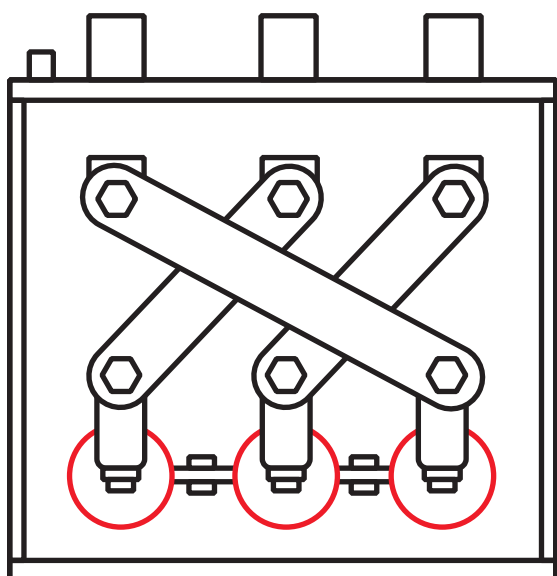
- Designed and tested according to IEC 60099-4
- Maximum safety (safe short-circuit behavior for high personal and equipment security)
- Additional fire safety tests
- Suitable for various ambient conditions
- Compact size
- Available for indoor and outdoor installation

Customer benefits and savings

- Easy and fast to install
- Maintenance-free
- Decreased power losses in cables
- Lower chance of flashover between cable sheath and the earth
- Prolongs cable lifetime
- Lower grave-damage risk
- Reduced additional voltage reflections effect on other equipment
- Lightning protection for cables in between overhead lines

ABB as your competitive edge

- More than 100 years of experience in overvoltage protection
- More than 30 years of experience with silicone insulation
- Global supplier with local support teams
- Proven track record with many customer references worldwide
- In-house metal-oxide resistors production
- All equipment manufactured internally by ABB with full monitoring and control of the entire design, production and delivery process



Product range of surge arresters for MV cable terminations and HV cable sheaths






Type	POLIM-D	POLIM-K	MWK	POLIM-C..N	POLIM-C..LB
					
Technical data					
Maximum system voltage U_s , kV	52	52	52	7.5	52
IEC 60099-4 class (Ed. 3.0)	DH	SL	SL	SL	SL
MV cable and cable termination	x	x	x		
MV, HV cable sheath				x	x
Rated voltage U_r , kV _{rms}	5-45	5-55	5-55	1.13-9.38	2.88-6.0
Continuous voltage U_c , kV _{rms}	4-36	4-44	4-44	0.9-7.5	2.3-4.8

ABB Switzerland Ltd.
High Voltage products
Surge Arresters
P.O. Box, Jurastrasse 45
CH-5430 Wettingen/Switzerland
Phone +41 58 585 29 11
E-Mail sales.sa@ch.abb.com

www.abb.com/arrestersonline

The information given in this document inclusive of all illustrations covers key technical data and application options. We reserve the right to make technical changes or modify the contents of this document without prior notice. With regard to purchase orders, the agreed particulars shall prevail. ABB does not accept any responsibility whatsoever for potential errors or possible lack of

information in this document. We reserve all rights in this document and in the subject matter and illustrations contained therein. Any reproduction, disclosure to third parties or utilization of its contents – in whole or in parts – is forbidden without prior written consent of ABB.

Copyright © 2018 ABB.
All rights reserved