

PRIMARY SETUP ITEMS FOR THESE MDS RADIOS:

1. Mode R.
2. ADDR XXXX - where (xxxx) is radio's address, which is also the same as the Master Radio's Address.
3. SLEEP ON.
4. BAUD 9600 8n1 - (other baud rates can be used but needs to match flow computer's baud rate).

Note: Typically, all other setup items can be left in their default state, except for the following radio-specific changes:

Recommended changes for X710 "A" model GE MDS radios

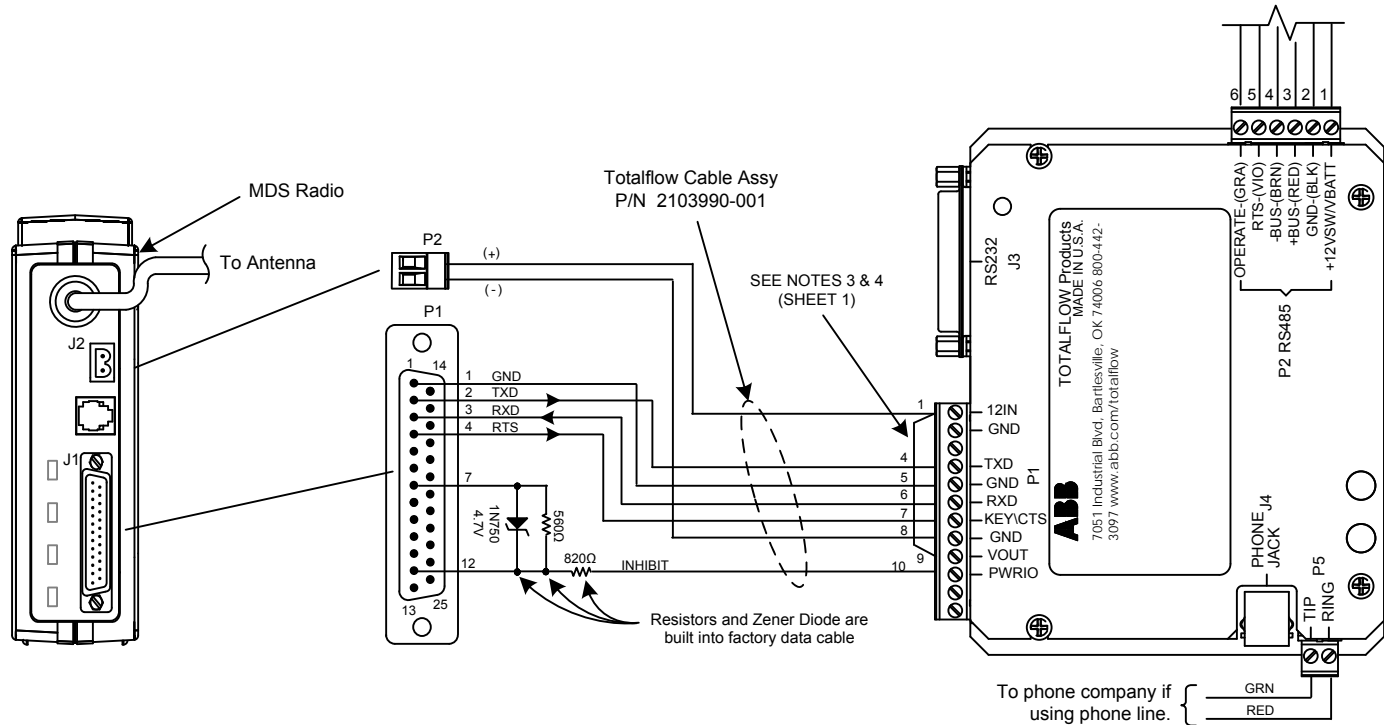
Remove Request to Send (RTS) wire from the Totalflow connected device. RTS is not required on "A" radios and could be a source for spurious unintended transmissions (chirping). Tie this wire back and tape so that it doesn't make electrical contact with any other electrical wiring or ground source.

GE MDS software setting changes:
 DATAKEY = ON, set to on so that the radio will key on data without the need for RTS from the Totalflow device.
 PTT delay = 30 milliseconds, defaults to 0, change to 30 to eliminate the spurious unintended transmissions (fast chirping) in the 5-25 milliseconds range.

Recommended changes for X710 "B" model GE MDS radios

GE MDS software setting changes:
 PTT delay = 30 milliseconds, defaults to 0, change to 30 to eliminate the spurious unintended transmissions (fast chirping) range in duration from 5-25 milliseconds

NOTE: Request to Send (RTS) must be utilized on all "B" radios for proper operations.



REF: N/A

ABB TOTALFLOW Products	ACTION	DOC TYPE	TITLE	DWG NO.	REV	SHEET
	D24124	UD	XFC COMM 1 (2100204 BD) WFCU PWR & UCI2 (RS-485) TO MDS 4710/9710B/9810 RADIO (RS-232)	2102930	AD	2 OF 2