

Issue 08/25/2018  
 Date:  
 Page: 1 of 2  
 File: PSS-M676I-Bus

35kV	<b>900A Deadbreak Separable "I" Joint -Bus</b>	w/ Test Point	M676I-Bus
------	--	---------------	-----------



## Features:

- 35kV, 900A Deadbreak rated separable connector
- Fully shielded, fully submersible, 100% peroxide cured EPDM molded rubber and electrolytic Copper
- Reusable components reduce inventory and other costs
- Includes integral capacitive test point

## M676CY-Bus Deadbreak Separable "I" Joint-Bus

### Applications:

Elastimold® separable cable joints are modular kits: 2-way, 3-way or 4-way insulated bus bars. The M676I-Bus Separable "I" joint is based on the 2-way bus bar. The cables are bolted via compression lug or shear bolt connectors to the bar. The straight receptacle house slides over the connections to form a fully shielded, fully submersible 2-way disconnectable cable joint. The M676I-Bus cable joint is used to join cables in a disconnectable 2-way joint. It is compact size and ideal for small vaults and manholes application.

M676I-Bus is modular and ideal where separable components are required to accommodate future system circuit changes or expansions. It can also be used initially as 2-way joint with insulated caps on the unused interfaces. The M6762-Bus can also be used in direct -buried applications.

### Ratings:

Meets ANSI/IEEE Standard 386, Latest Revision

35kV Voltage Class

21.1kV Max Phase-to-Ground – Operating Voltage

35kV Max Phase-to-Phase

150kV BIL – Impulse Withstand (1.2 x 50 microsecond wave)

50kV AC – One minute withstand

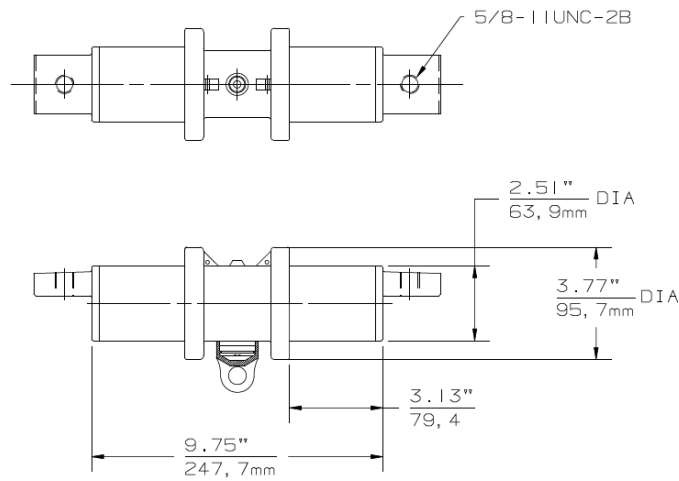
103kV DC – 15 minutes withstand

26kV AC – Corona Extinction @ 3pC sensitivity

**900 Amp – Continuous**

25kA Sym – 10 Cycles Momentary & Fault Close

35kV	900A Deadbreak Separable "I" Joint -Bus	w/ Test Point	M676I-Bus
------	---	---------------	-----------



**Contents:**

1	2-Way Bus Bar	M676I-BUS
2	Si-Lubricant	82-08
1	Installation Instruction	IS-1075