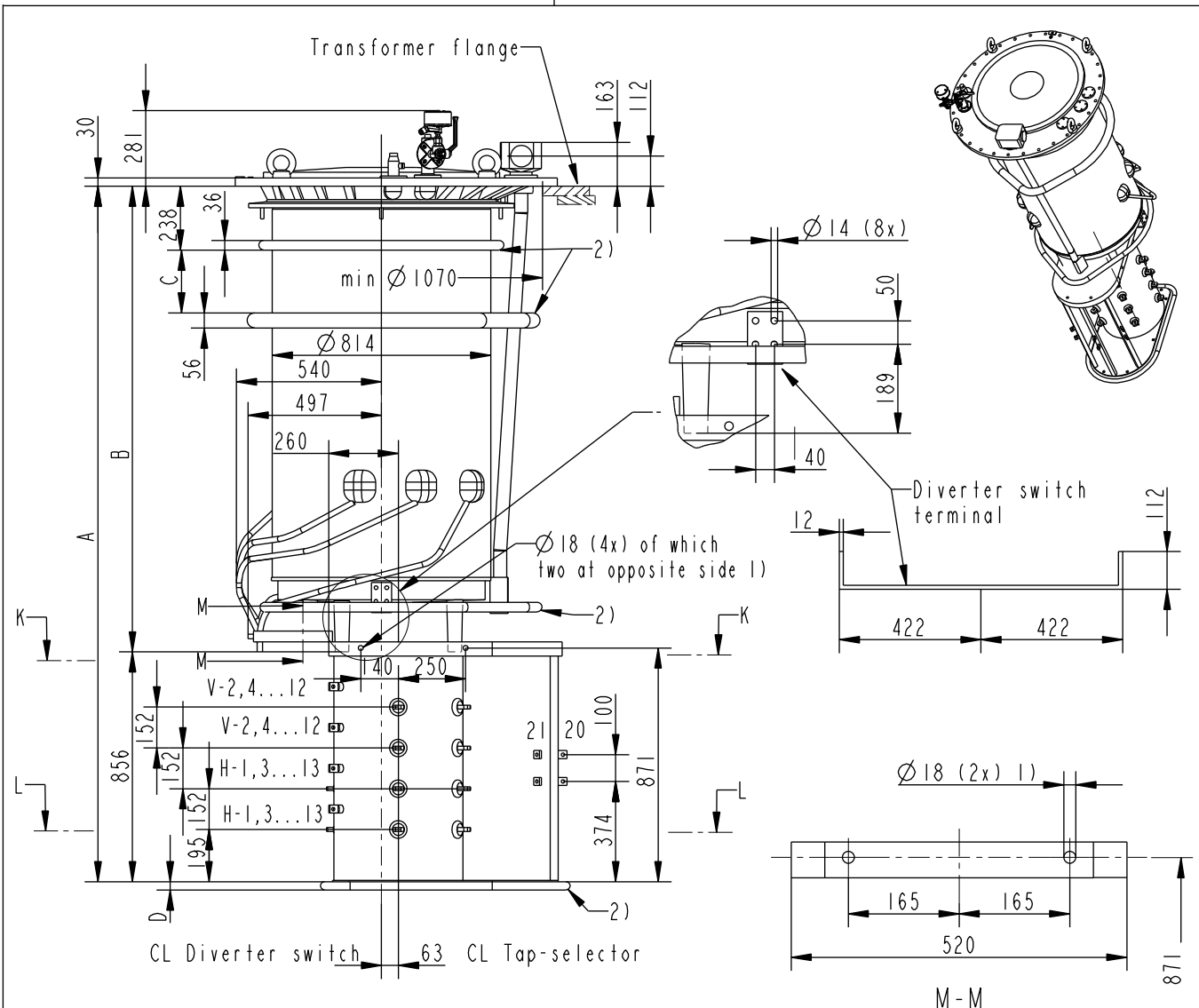


We reserve all rights in this document and in the information contained therein. Reproduction, use or disclosure to third parties without express authority is strictly forbidden. ©ABB



INSULATION LEVEL kV	380	650	1050
A	2450	2590	2790
B	1594	1734	1934
C	-	240	440
D	-	30	36
E	-	930	936
F	-	290	293
G	-	580	586

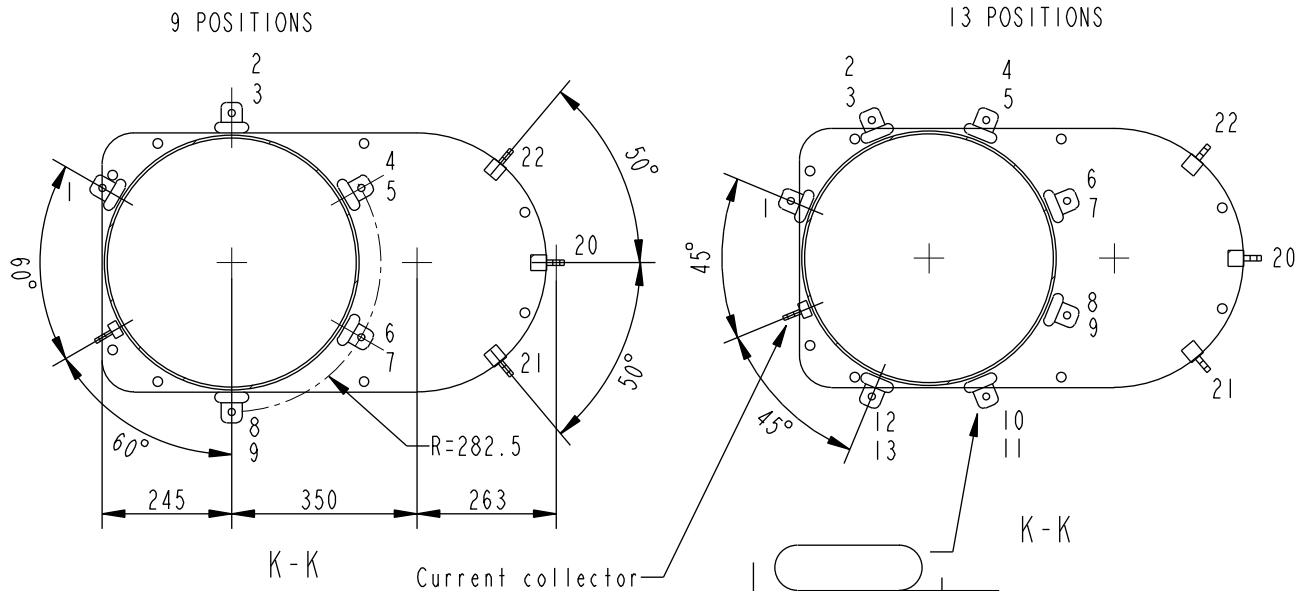
Based on	Reg. No.	Title TAP-CHANGER UCDR AND UCDD UCD.E XXXX/1800/III	
Prepared T Sapila 96-08-27	Responsible department COM/TK		
Approved M Eriksson	Take over department		
Revision Rev 4 06-10-02	Database DIMENSION_DWGS		
ABB Components		9,13 pos	Page 1(2)
		Document No.	54920091-9

Inspection engineering review

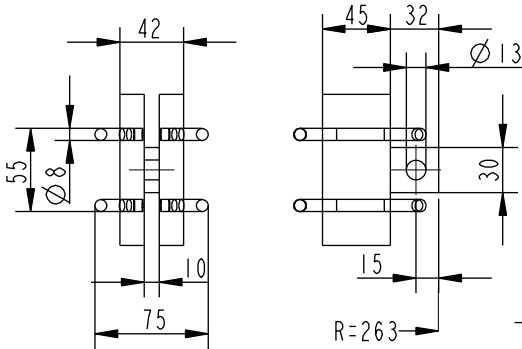
Production engineering review

Design engineering review

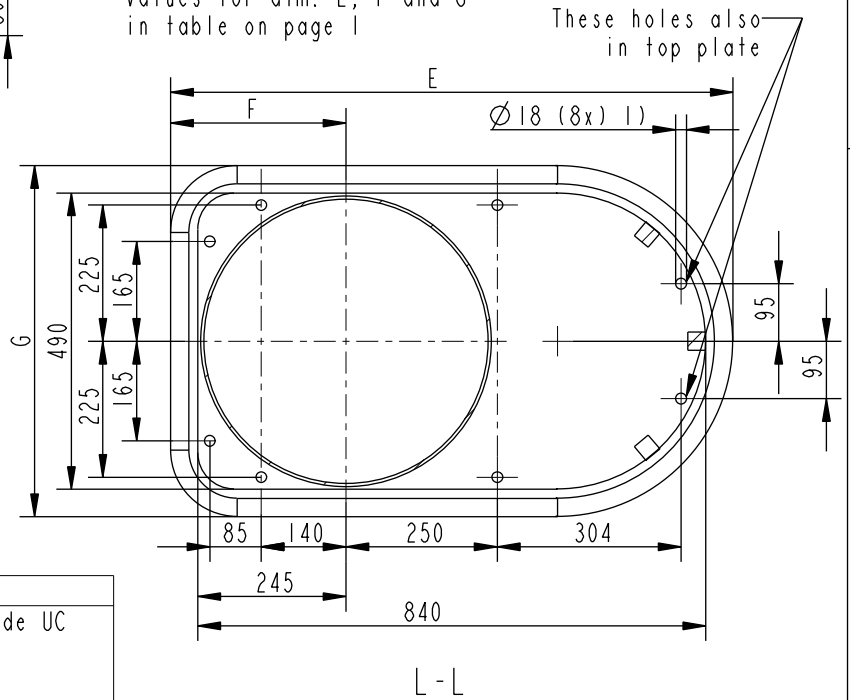
We reserve all rights in this document and in the information contained therein. Reproduction, use or disclosure to third parties without express authority is strictly forbidden. ©ABB



Tap selector contact 20,21,22 with shields



Values for dim. E, F and G in table on page 1



1) Holes for mounting of supports for cleats and leads

ADDITIONAL DRAWINGS:

Connection Diagrams: See Technical Guide UC
 Mounting on active part: 54920087-1
 Top Section, Accessories: 54920087-2
 Motor Drive BUL: 54830001-1
 Motor Drive BUE: 54830001-2 or -3
 External Drive Shaft: 54920083-4
 Pressure Relay: 54920083-2
 Bevel Gear: 54920083-1

Inspection engineering review	Production engineering review	Design engineering review	Based on	Reg. No.	Title TAP-CHANGER UCDR AND UCDD UCD.E XXXX/1800/III	
Prepared T Sapila 96-08-27	Responsible department COM/TK	Approved M Eriksson	Take over department	Language en		
Revision Rev.4 06-10-05	Database DIMENSION_DWGS			Page 2(2)		
		ABB Components		Document No. 54920091-9		