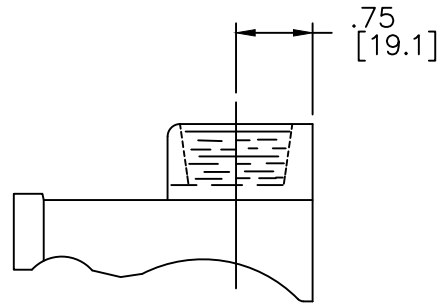
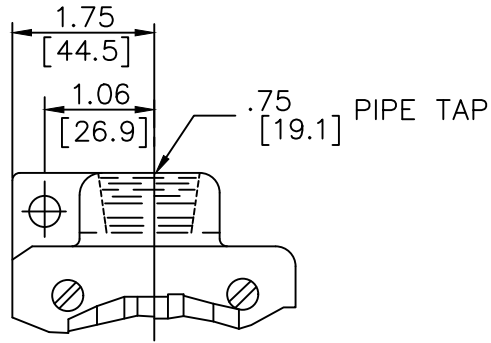
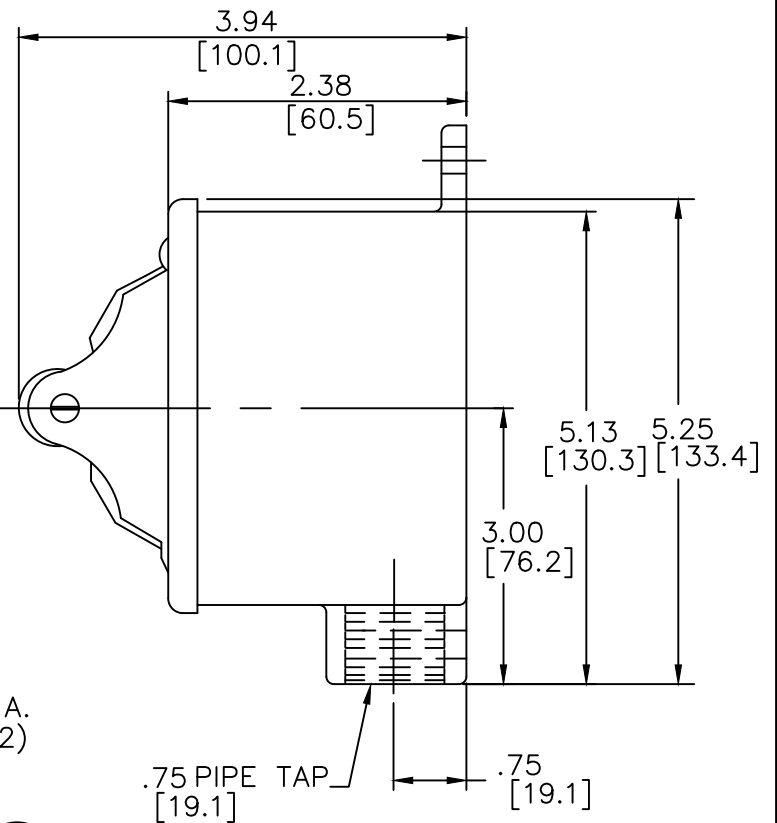
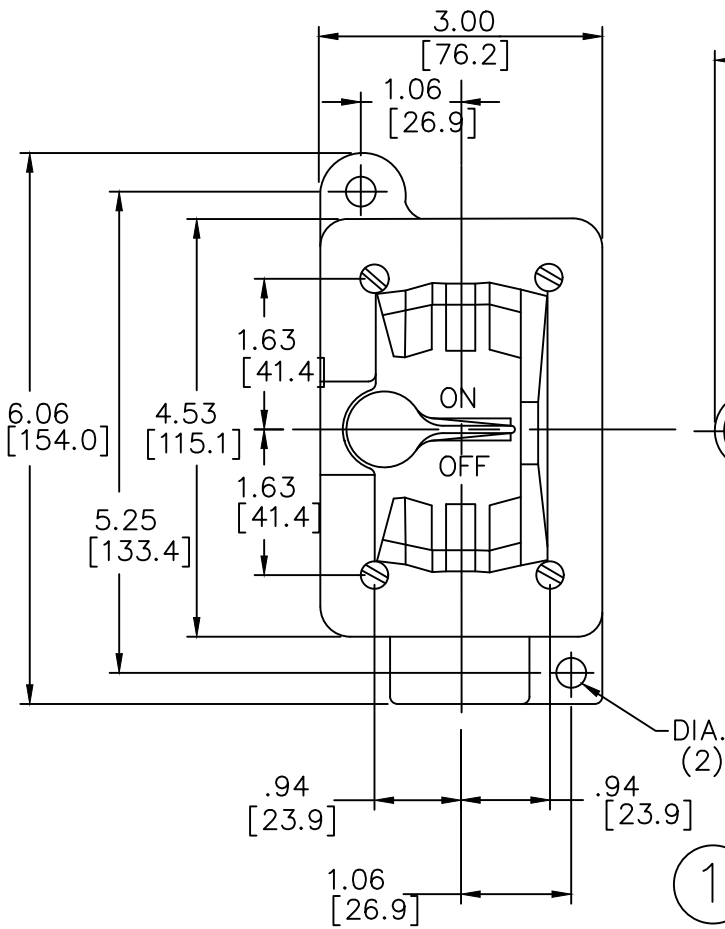


DUAL DIMENSIONS [INCHES / MILLIMETERS] (ESTIMATING ONLY)



② CONDUIT OPENINGS TOP AND BOTTOM OTHERWISE SAME AS P-1



OUTLINE
CR101 TYPE 4

ABB NUMBER: 1SQC910035D0201

THIRD ANGLE	SHEET#	DWG NO.	DATE	REV
	1 of 2	545A753	04/25	J