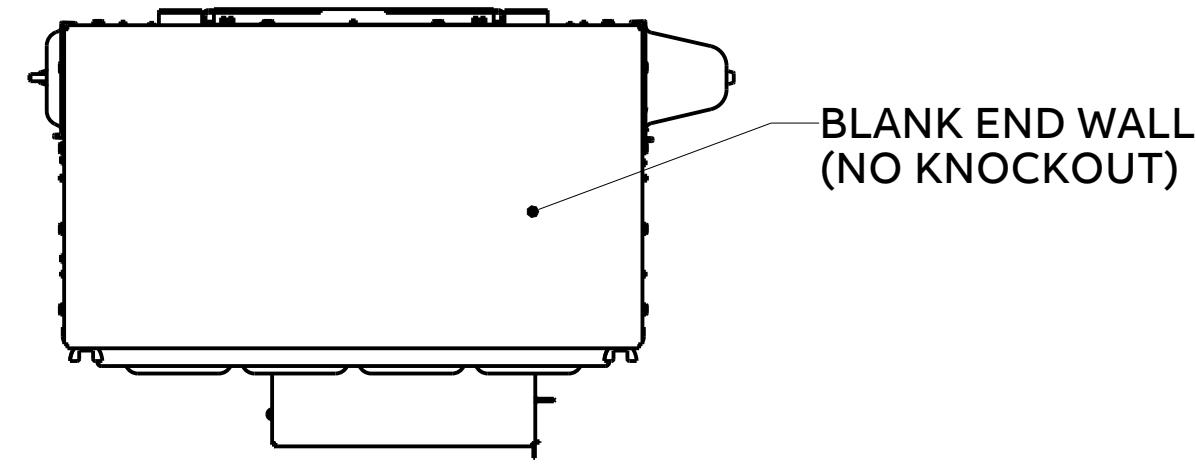
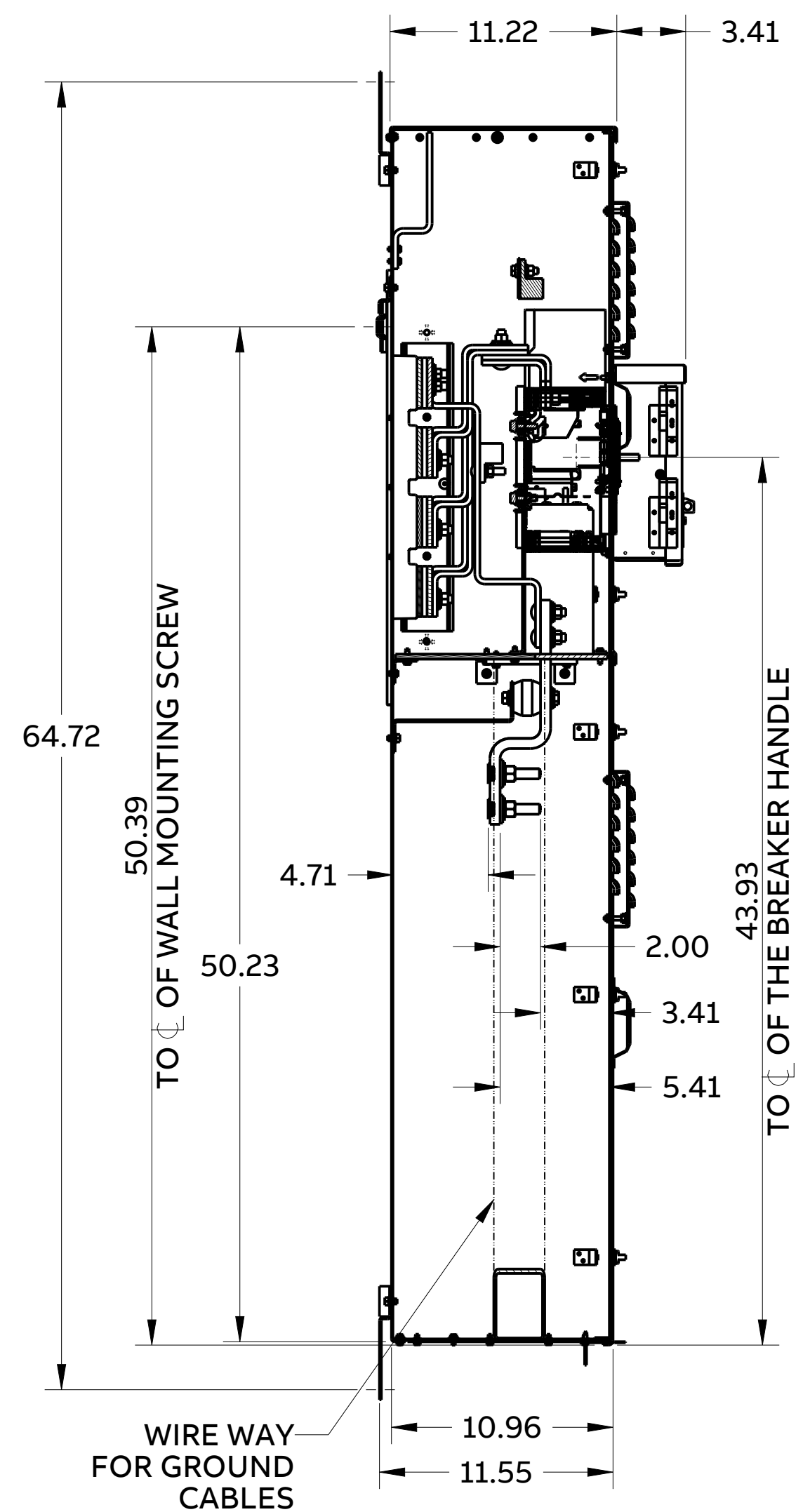


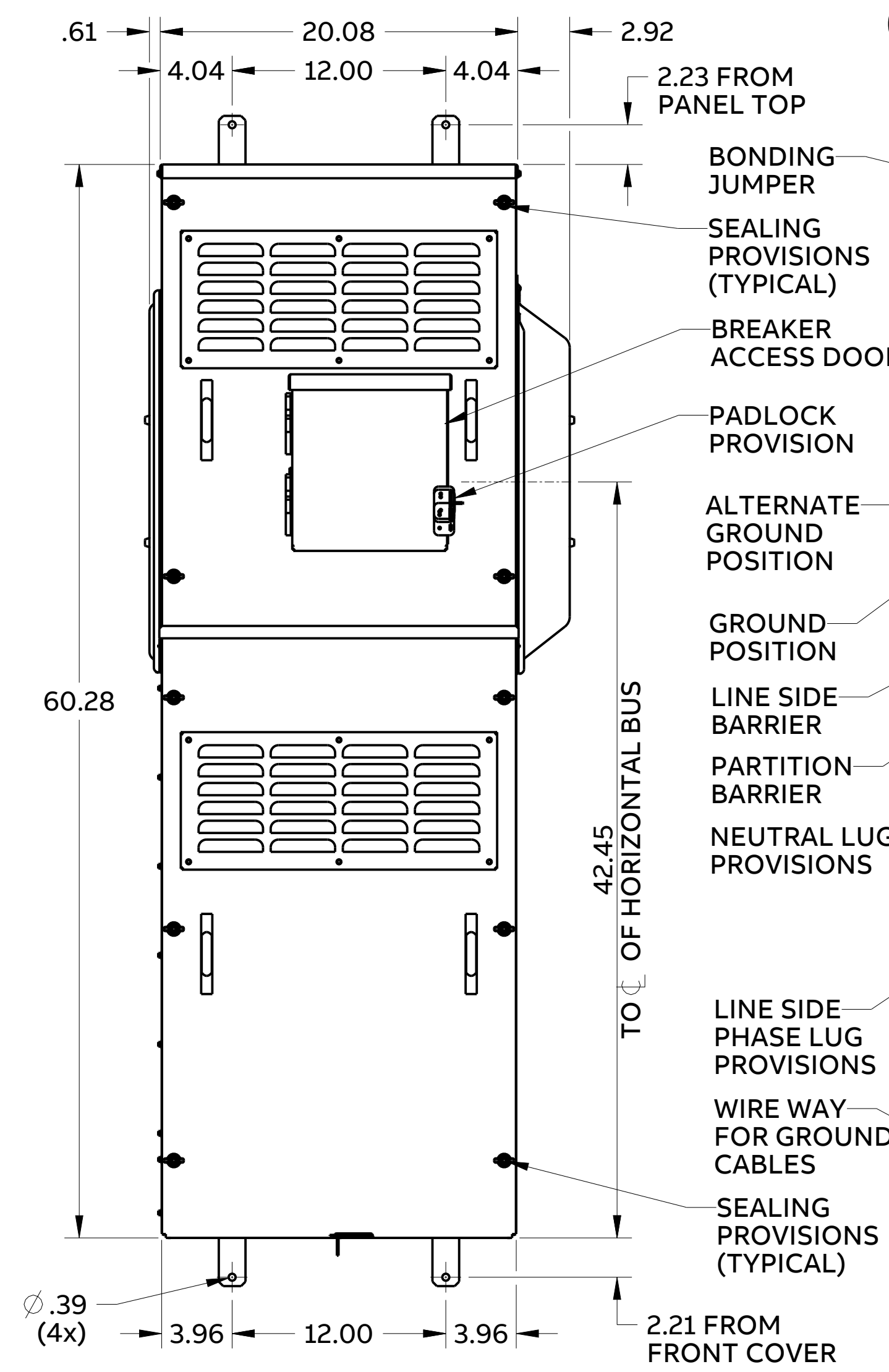
TOP VIEW



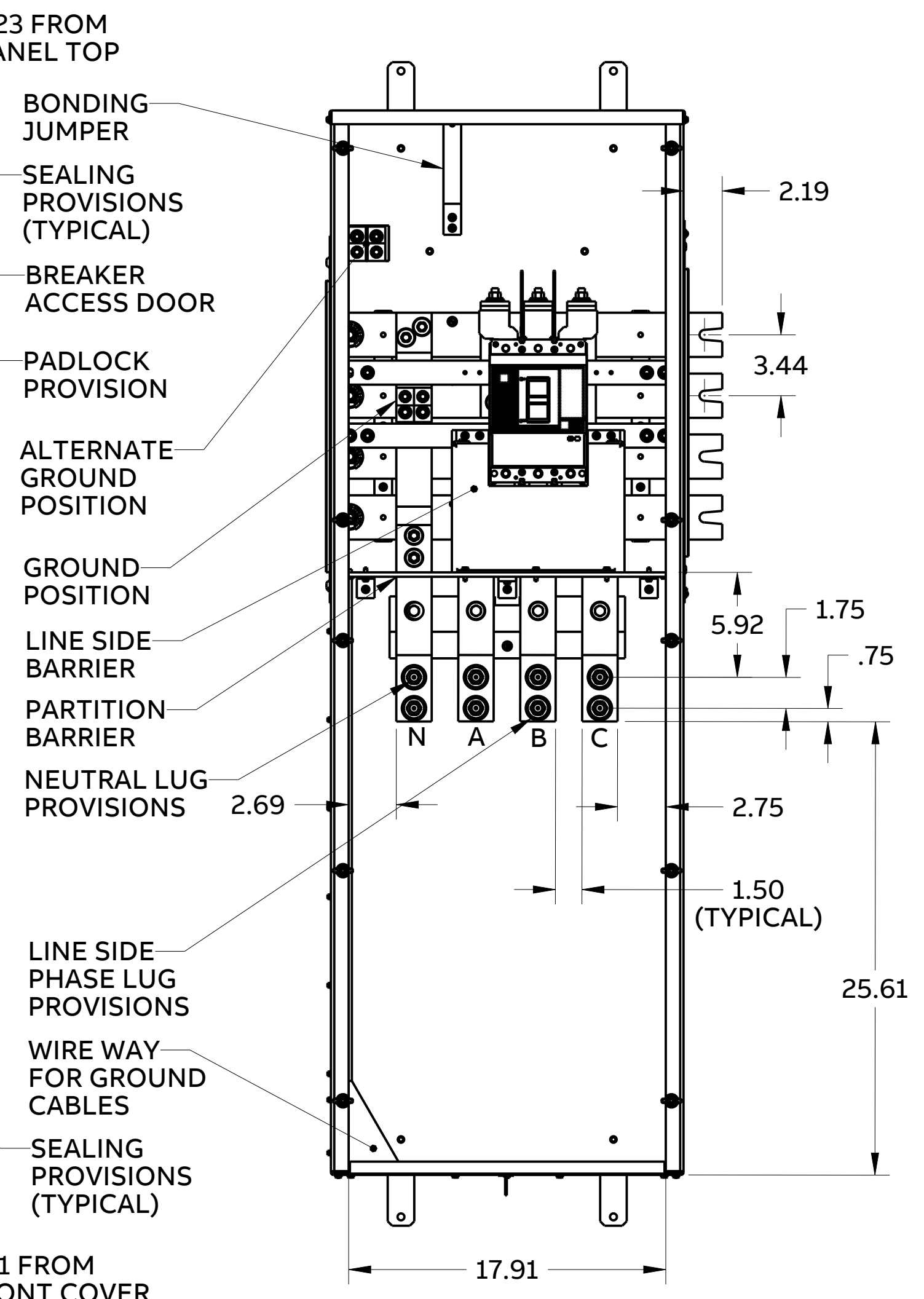
SECTIONAL SIDE VIEW



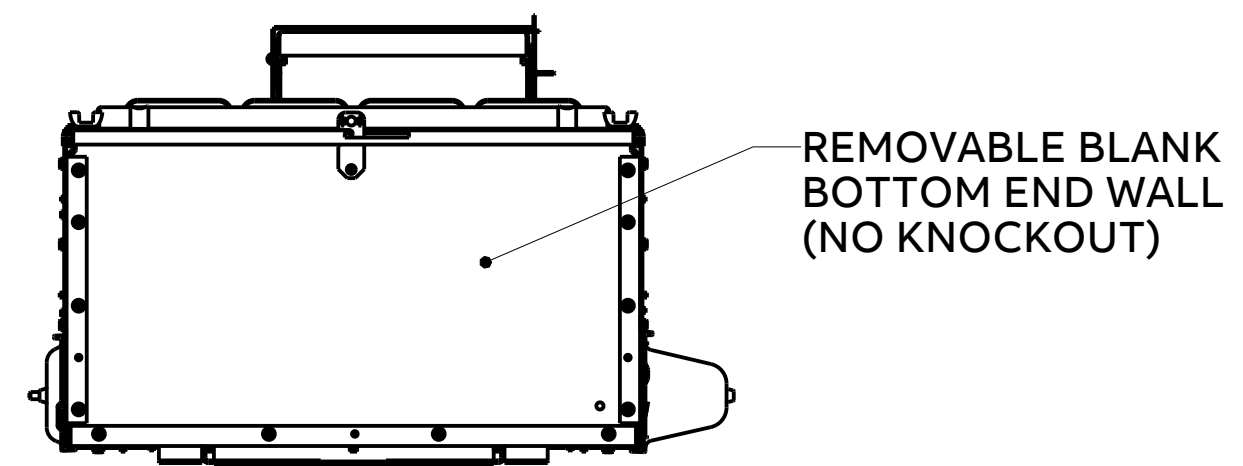
FRONT VIEW



FRONT VIEW (WITH OUT FRONT COVERS)



BOTTOM VIEW



Specification:

- Phase: 3-Phase 4-Wire
- Voltage: 208Y/120V
- Amperage: 400A
- Circuit Breaker Frame: XT5N
- Circuit Breaker Trip Unit: TMA
- Circuit Breaker kAIC: 65kA @ 240V
- Incoming Feed: Bottom Only
- Enclosure: N3R Outdoor
- Estimated Weight: 215 lbs
- Meets EUSERC Requirements, EUSERC Drawing Reference 315, 343, 347

Conductor Range:

- Phase lugs and neutral lugs not included, Landing Pad only.
- Landing Pad has provision for double hole lugs up to (1) 750kcmil Cu/Al.
- Ground Lugs: (2) #6-350 kcmil Cu/Al.

ABB | **ReliaMod™**

400A MAIN BREAKER MODULE
65kA 3PH 4W 208Y/120V N3R EUSERC

THIRD ANGLE	SHEET#	CATALOG NO.	DATE	REV
	1 of 1	RMM3BEL4R	27-Jul-23	A

DIMENSIONS: INCH