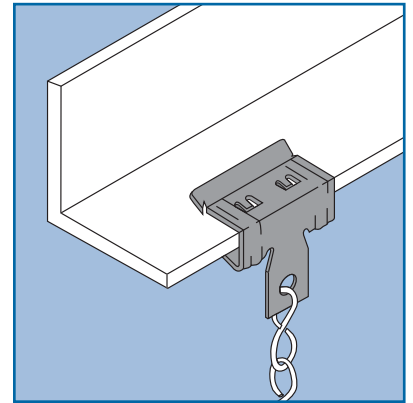
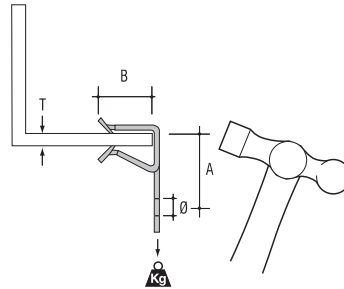


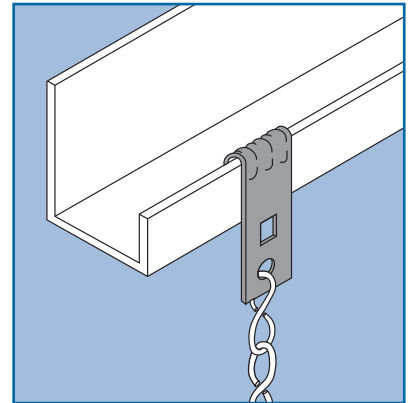
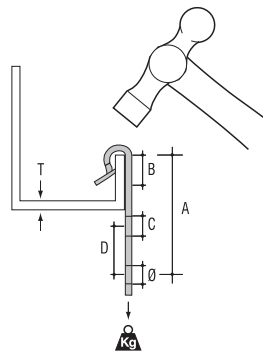
## Girder clips for chain or wire

Part No.	T (mm)	Ø (mm)	A (mm)	B (mm)	Load rating (kg)	Material finishes*	Quantity (pieces)
AH-153	1.5-3	6.5	16	12.5	72	F8+	100
AH-38	3-8	6.5	18	20.3	90	F8+	100
AH-814	8-14	6.5	26	20.3	90	F8+	100
AH-1420	14-20	6.5	30	26.6	90	F8+	100



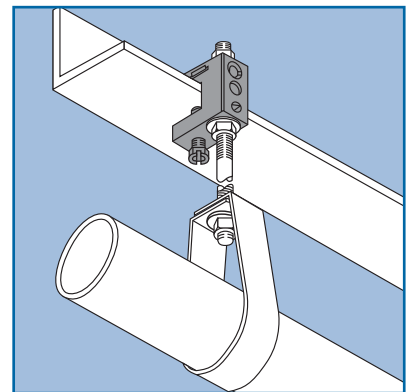
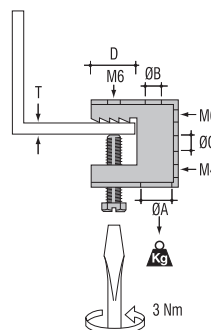
## Purlin clips for chain or wire

Part No.	T (mm)	Ø (mm)	A (mm)	B (mm)	C (mm)	D (mm)	Load rating (kg)	Material finishes*	Quantity (pieces)
AV-155	1.5-4	6.5	41	14	6.5	12	72	F8+	100
AV-57	4.5-7	6.5	42	15	6.5	12	72	F8+	100

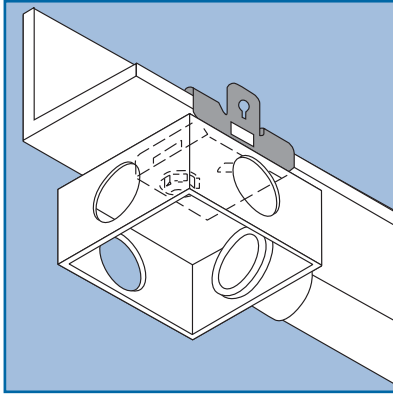


## Girder clamps for threaded rod

Part No.	T (mm)	ØA (mm)	ØB (mm)	ØC (mm)	D (mm)	Load rating (kg)	Material finishes*	Quantity (pieces)
FH-65	Max 18	12.7	6.5	6.5	19.5	45	F8+	100
FH-107	Max 18	10.7	10.7	6.5	19.5	45	F8+	100

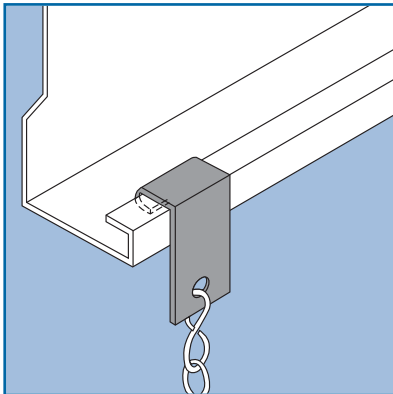
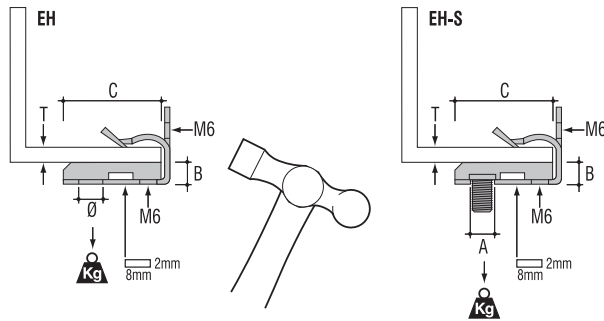


\* See page 50 for material finishes



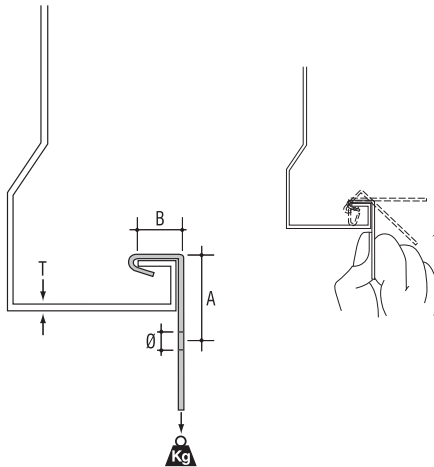
## Girder clips for conduit box

Part No.	T (mm)	Ø (mm)	A (mm)	B (mm)	C (mm)	Load rating (kg)	Material finishes*	Quantity (pieces)
<b>EH-38</b>	3-8	7	-	7.5	33	45	F8+	100
<b>EH-814</b>	8-14	7	-	7.5	33	45	F8+	100
<b>EH-1420</b>	14-20	7	-	7.5	33	45	F8+	100
<b>EH-38S</b>	3-8	-	M6x10	7.5	33	45	F8+	100
<b>EH-814S</b>	8-14	-	M6x10	7.5	33	45	F8+	100
<b>EH-1420S</b>	14-20	-	M6x10	7.5	33	45	F8+	100



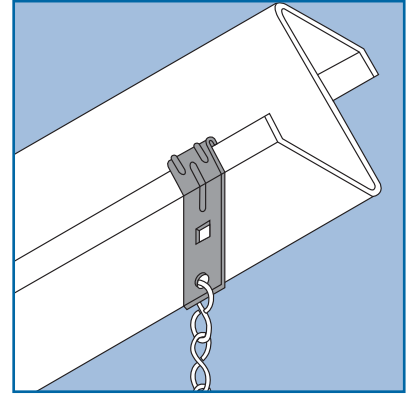
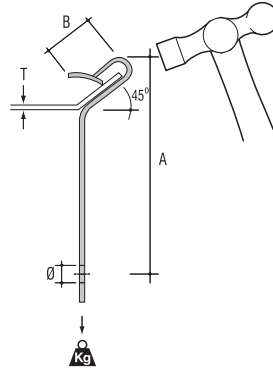
## Purlin clip for chain or wire

Part No.	T (mm)	Ø (mm)	A (mm)	B (mm)	Load rating (kg)	Material finishes*	Quantity (pieces)
<b>SM-125</b>	≤3.0	6.5	37	12.5	20	F2	100



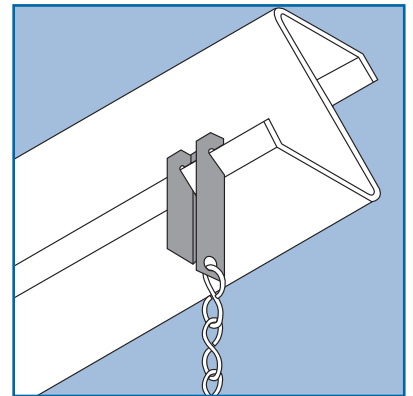
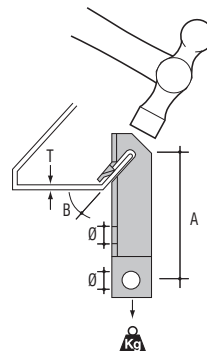
## Purlin clip for chain or wire

Part No.	T (mm)	Ø (mm)	A (mm)	B (mm)	Load rating (kg)	Material finishes*	Quantity (pieces)
RM-055	1.5-4	6.5	53	15	45	F8+	100



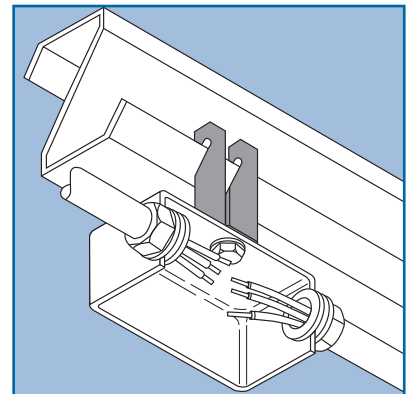
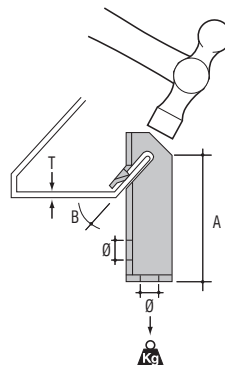
## Purlin clip for chain or wire

Part No.	T (mm)	Ø (mm)	A (mm)	B (mm)	Load rating (kg)	Material finishes*	Quantity (pieces)
VM-03	1-3	6.5	48	45°	45	F8+	100



## Purlin clip for conduit box

Part No.	T (mm)	Ø (mm)	A (mm)	B (mm)	Load rating (kg)	Material finishes*	Quantity (pieces)
TM-03	1-3	6.5	43	45°	45	F8+	100



\* See page 50 for material finishes