

INSTRUMENT TRANSFORMERS

KIR-60, KIR-75, and KIR-11

Indoor current transformers



KIR indoor current transformers are designed for protection and metering in indoor applications including medium voltage switchgear.

Product features

- KIR-60: 5 kV, 60 kV BIL
- KIR-75: 8.3 kV, 75 kV BIL
- KIR-11: 15 kV, 110 kV BIL
- Indoor, 60 Hertz
- UL Recognized Components: File No. E96461

Application

The KIR-60, KIR-75, and KIR-11 indoor current transformers are designed for relaying and metering applications. KIR current transformers are cast in polyurethane and applications include, but are not limited to, medium voltage switchgear. Designs are available with single and dual ratio designs which are accomplished by tapping the secondary winding.

Secondary terminals and cover

The KIR is supplied with embedded compression-type secondary terminals, a short circuit device, and a clear, rectangular snap-on cover. This clear plastic cover allows a visual check of connections and is keyed to ensure the shorting clip is across the terminals when no wires are connected. This safety feature avoids dangerous voltages across the secondary terminals if the primary is energized. Terminals accommodate #14-#1 wire and can also serve as a post-type connector by looping wire under the slotted hex-head screw head.

Baseplate

The baseplate is constructed of corrosion-resistant aluminum and is secured to the encapsulated base support.

Mounting

The KIR-60, KIR-75, and KIR-11 can be mounted in upright, cantilever, or upside-down positions.

Test reports

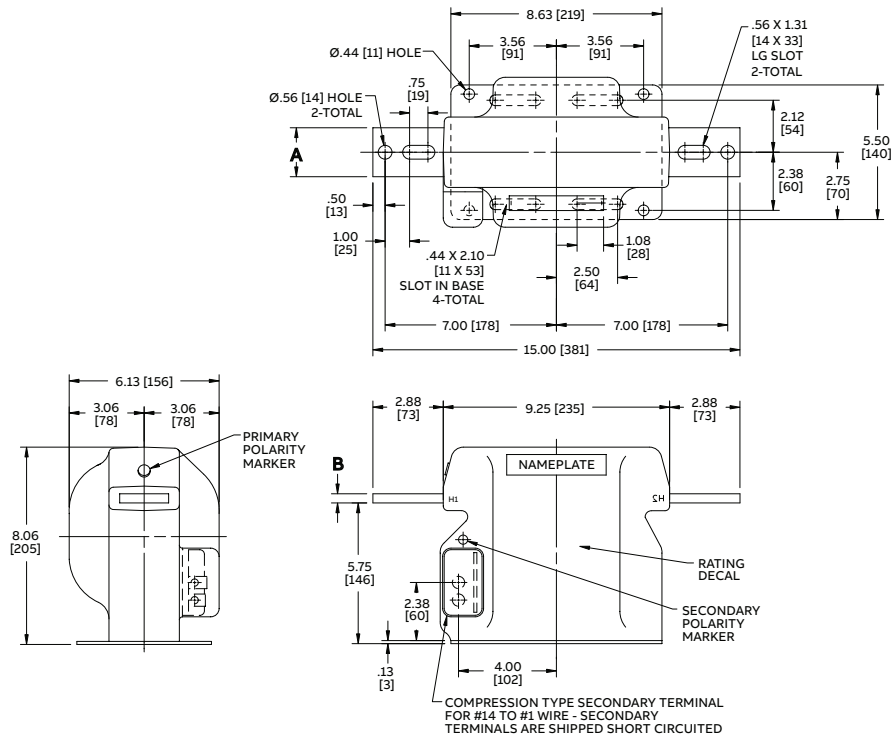
Test reports are stored electronically and can be e-mailed in various formats at the time of shipment.

Standards

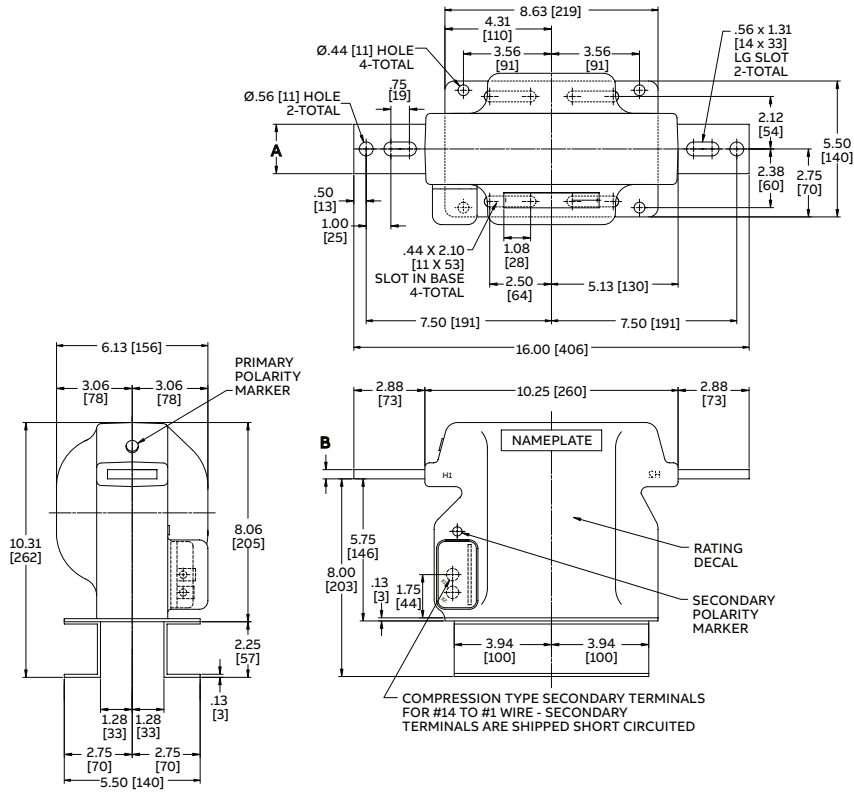
This unit meets or exceeds all requirements of IEEE C57.13-2016 and can be tested to other standards as requested.

Type KIR-60

Unit dimensions



Type KIR-75



Style	Primary ampere rating	A		B		Weight (lbs)
		(in)	(mm)	(in)	(mm)	
KIR-60	5-200	1.5	38	0.25	6	35.5
	300-1200	2.0	51	0.375	10	38.0
KIR-75	5-200	1.5	38	0.25	6	35.0
	300-1200	2.0	51	0.375	10	38.5

Selection guide							
Primary ampere rating	Rating factor	Mechanical rating	Thermal rating	IEEE metering accuracy	Style number		
					KIR-60	KIR-75	KIR-11
5	1.5	150	100	0.3B-1.8	7524A01G01	7524A02G01	7524A03G01
10	1.5	150	100	0.3B-1.8	7524A01G02	7524A02G02	7524A03G02
15	1.5	150	100	0.3B-1.8	7524A01G03	7524A02G03	7524A03G03
20	1.5	150	100	0.3B-1.8	7524A01G04	7524A02G04	7524A03G04
25	1.5	150	100	0.3B-1.8	7524A01G05	7524A02G05	7524A03G05
30	1.5	150	100	0.3B-1.8	7524A01G06	7524A02G06	7524A03G06
40	1.5	150	100	0.3B-1.8	7524A01G07	7524A02G07	7524A03G07
50	1.5	150	100	0.3B-1.8	7524A01G08	7524A02G08	7524A03G08
75	1.5	150	100	0.3B-1.8	7524A01G09	7524A02G09	7524A03G09
100	1.5	150	100	0.3B-1.8	7524A01G10	7524A02G10	7524A03G10
150	1.5	150	100	0.3B-1.8	7524A01G11	7524A02G11	7524A03G11
200	1.5	150	100	0.3B-1.8	7524A01G12	7524A02G12	7524A03G12
300	1.5	150	100	0.3B-1.8	7524A01G13	7524A02G13	7524A03G13
400	1.5	150	100	0.3B-1.8	7524A01G14	7524A02G14	7524A03G14
500	1.0	150	100	0.3B-1.8	-	-	7524A03G15
500	1.5	150	100	0.3B-1.8	7524A01G19	7524A02G17	-
600	1.5	150	100	0.3B-1.8	7524A01G15	7524A02G15	7524A03G16
800	1.33	110	75	0.3B-1.8	7524A01G16	7524A02G16	7524A03G17
1000	1.2	162	60	0.3B-1.8	7524A01G21	-	-
1000	1.0	162	60	0.3B-1.8	-	-	7524A03G21
1200	1.0	135	50	0.3B-1.8	7524A01G20	7524A02G19	7524A03G18

IEEE relaying accuracy: KIR-60 and KIR-75, T100; KIR-11, T200

KIR-11 is also offered with 0.15S accuracy, see KIR-11ES product literature.

Additional styles available upon request. Contact your ABB sales representative or call +1-252-827-3212 for more information.