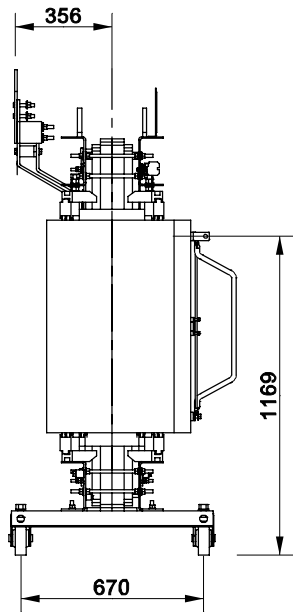
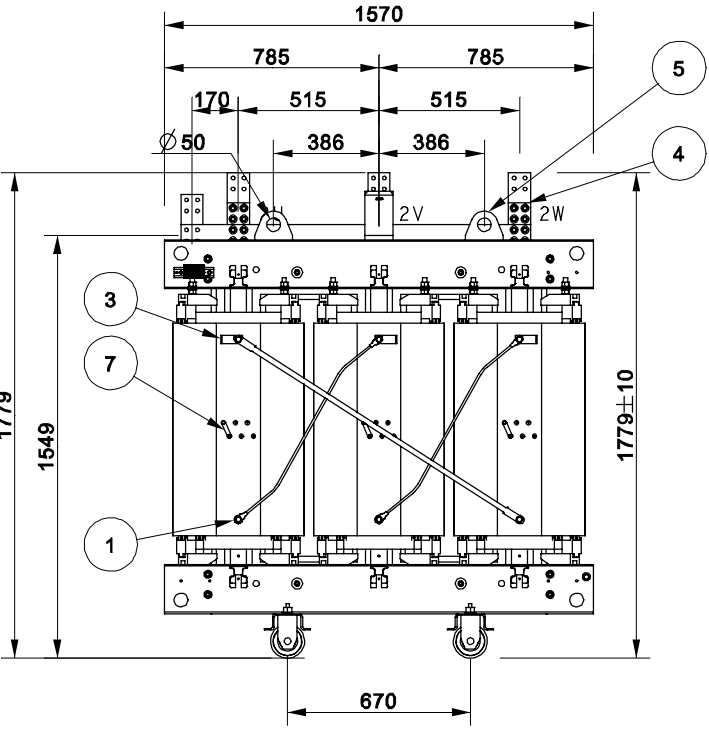
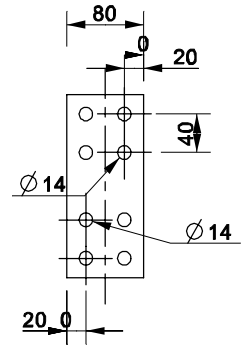


The information contained in this document is to be kept strictly confidential. Any unauthorized use, reproduction, distribution or disclosure is strictly forbidden. © Copyright 2013 ABB. All rights reserved.

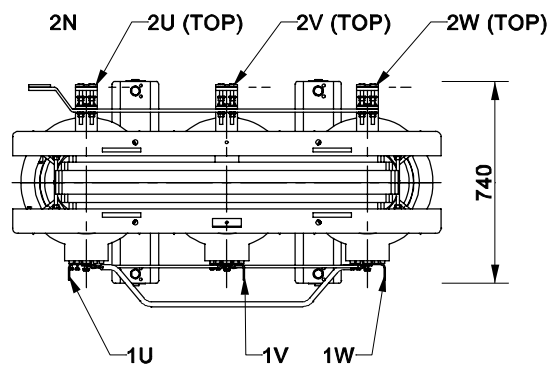


DESCRIPTION	
1	CONNECTION BETWEEN PHASES
2	EARTHING TERMINAL
3	H.V. TERMINAL
4	L.V. TERMINAL
5	LIFTING LUG
6	RATING PLATE
7	TAP CHANGER BY LINKS
8	WHEELS Ø125x40

LV TERMINAL 2N-2U-2V-2W



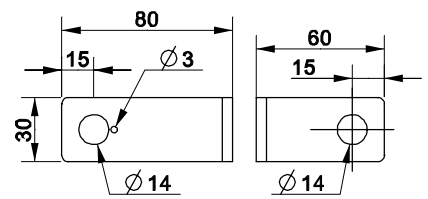
MATERIAL : COPPER  
THICKNESS : 8.0 mm



TOLERANCES ACCORDING TO ISO 2768V

WEIGHT	
TRANSFORMER	1925 kg
ACCESORIES	19 kg
TOTAL WEIGHT	1944 kg

MATERIAL : COPPER  
THICKNESS : 5.0 mm



Prepared esjeper 17/06/2013			Responsible Department -		Classification		
Approved 17/06/2013			Takeover Department -		Title <b>CROQUIS POWER (kVA):630 , kV Class:24</b>		
Rev.	Scale	Mass	Based On		Document No.		Cont. 2
-	0.051	1944.4 kg	FA000143		1LES251766-CR		Sheet 1
Zone			Rev.		Description		Date
1			2		3		Approved
4			5		6		ABB Distribution Transformers
7			8				