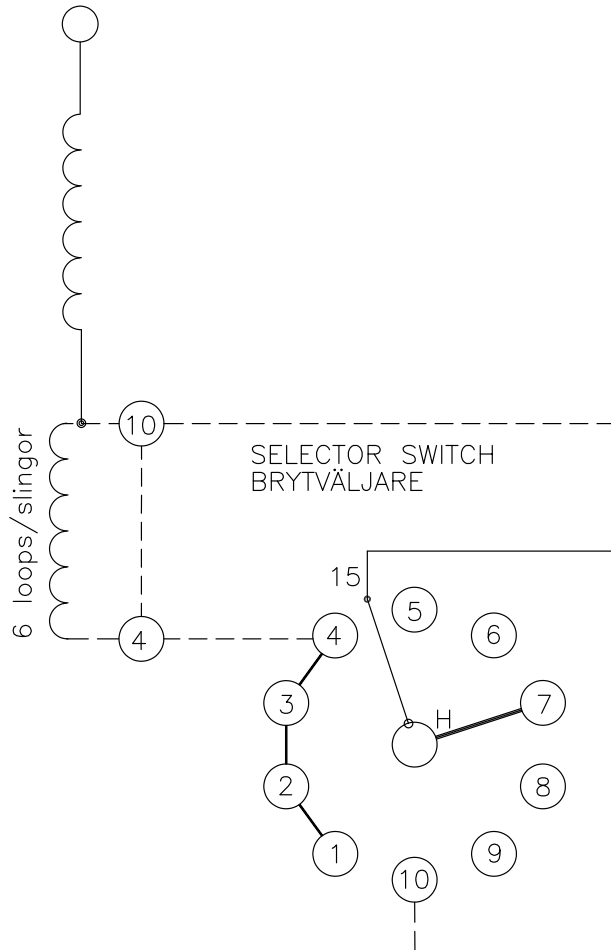


On-load tap-changer type VUBBL, UBBL, 7 tap positions, linear switching.
 Min effective No. of turns in pos 1.
 The tap-changer is delivered set in pos 4.

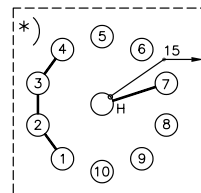
Lindningskopplare typ VUBBL, UBBL, 7 lägen, linjär-koppling.
 Min antal effektiva varv i läge 1.
 Lindningskopplaren levereras inställd i läge 4.

Pos Läge	H connects förbinder
1	10 - 15
2	9 - 15
3	8 - 15
4	7 - 15
5	6 - 15
6	5 - 15
7	4 - 15

We reserve all rights in this document and in the information contained therein. Reproduction, use or disclosure to third parties without express authority is strictly forbidden.
 © ABB '19



- 1) OUTPUT TERMINAL
STRÖMAVTAGNING
- *) FOR VUBB TYPE OF OLTC
I VUBB UTFÖRANDE



- 1) Internal connections between the terminals 15 of the three phases are included in the star-point type. Connections between 1, 2, 3, and 4 are included. Dashed lines show in delivery not included leads belonging to cleats and leads.

H Main contact
Huvudkontakt

Inre förbindningar mellan uttag 15 i de tre faserna ingår i nollpunktsutförande. Förbindningar mellan 1, 2, 3 och 4 ingår. Streckade linjer visar i leveransen ej ingående ledare tillhörande anslutningsdonet.

2	Output for VUBB type added.	DAAN	20	14
1	VUBBL added.	TL	10	27
Rev Ind	Revision	Appd	Year	Week

Sheet	Year	Week	Cont	
2	1	10	27	
Rev Ind	Revision	Appd	Year	Week
Accepted by qual control R.Yngvesson	Accepted for prod by	Description (English) CONNECTION DIAGRAM		DATAORIGINAL
Design checked by B-O.Stenestam	Drawn by L.Bergman	Description (own language) KOPPLINGSSHEMA		File name 0390-3
Drawing checked by M.Hedlund	Issued by Dept Year Week COM/TKO 97 32	Lang	Sheet	1
Asea Brown Boveri		Rev Ind	Cont	2
		5492 0390-3		-