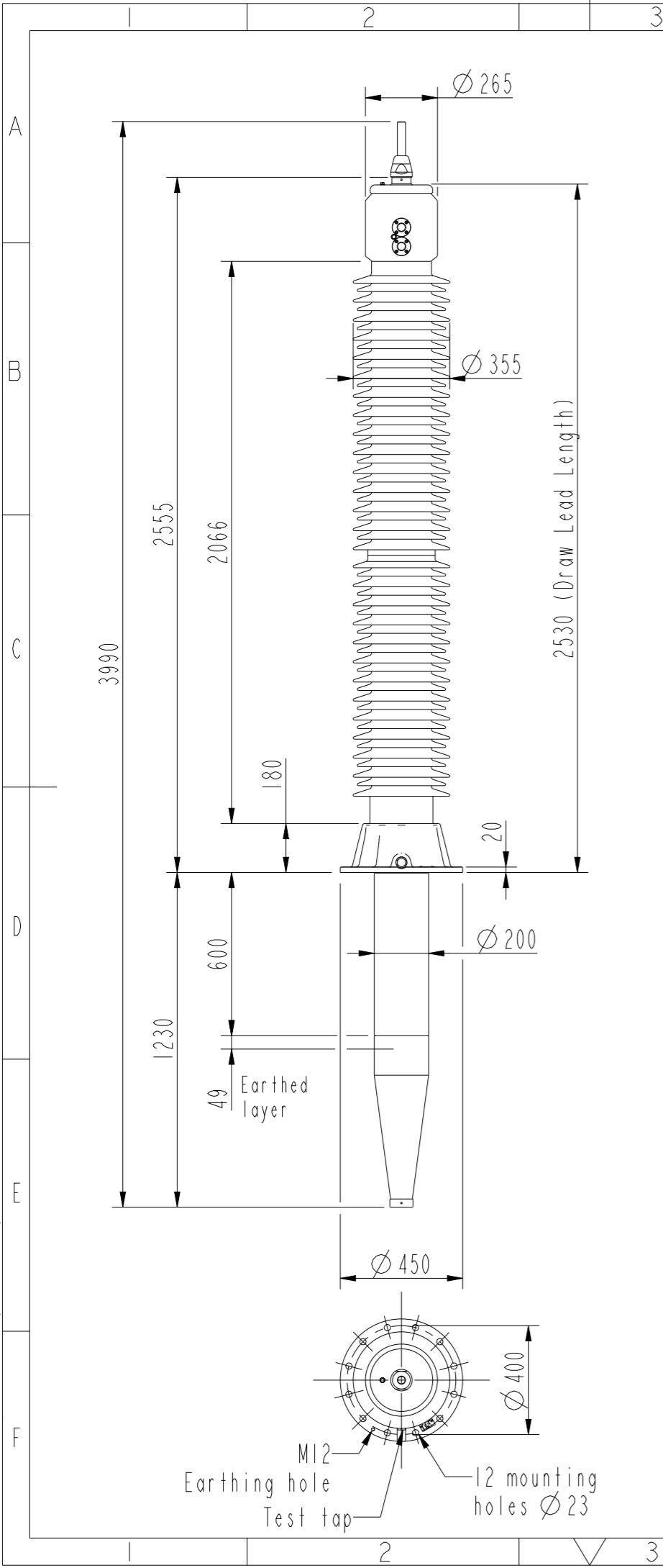


This document is issued by means of a computerized system. The digitally stored original is electronically approved. The approved document has a date entered in the "Approved"-field. A manual signature is not required.

We reserve all rights in this document and in the information contained therein. Reproduction, use or disclosure to third parties without express authority is strictly forbidden.

Revision	Revision text
A	- Redrawn in creo



### Bushing Data:

Rated Voltage	245	kV
Phase to-earth Voltage	141	kV
Dry Lightning Impulse 1,2/50µs	1050	kV
Wet Switching Impulse	750	kV
Wet power frequency AC	510	kV
Routine test 1min dry 50Hz	510	kV
Rated Current	1100	A
Creepage Distance nominal	7700	mm
Creepage Distance minimum	7550	mm
Mass	350	kg

### Ordering Data:

<b>BUSHING</b>	COLOUR AIR INSULATOR	
LF123 280-K	BROWN	
LF123 280-L	LIGHT GREY	
<b>OUTER TERMINAL</b>	Material D L	
LF 170 001-B	Al, Ø 30, 125	
LF 170 002-B	Cu, Ø 30, 125	
OTHER TYPES ON REQUEST		
<b>INNER TERMINAL FOR STRANDED CABLE</b>		
<b>For brazing</b>	Conductor area	D1
LF 170 011-T	up to 285mm <sup>2</sup>	Ø 29
LF 170 011-V	Undrilled with pilot hole	Ø 5
<b>SOLID ROD CONNECTOR</b>		
LF 170 052-FA	For Alt.1	
LF 170 052-FB	For Alt.2	
LF 170 052-FC	For Alt.3	
<b>END SHIELD</b>		
LF 170 092-B	Epoxy insulated	
LF 170 092-D	Insulated with 3 mm pressboard	

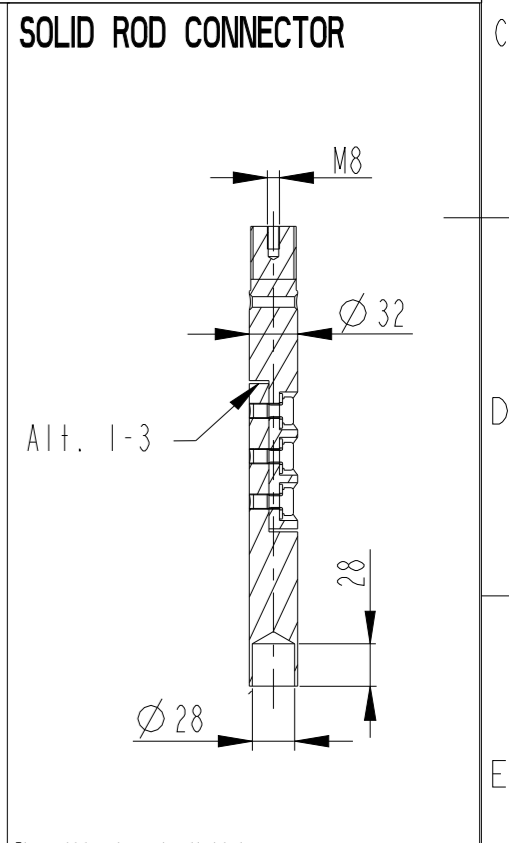
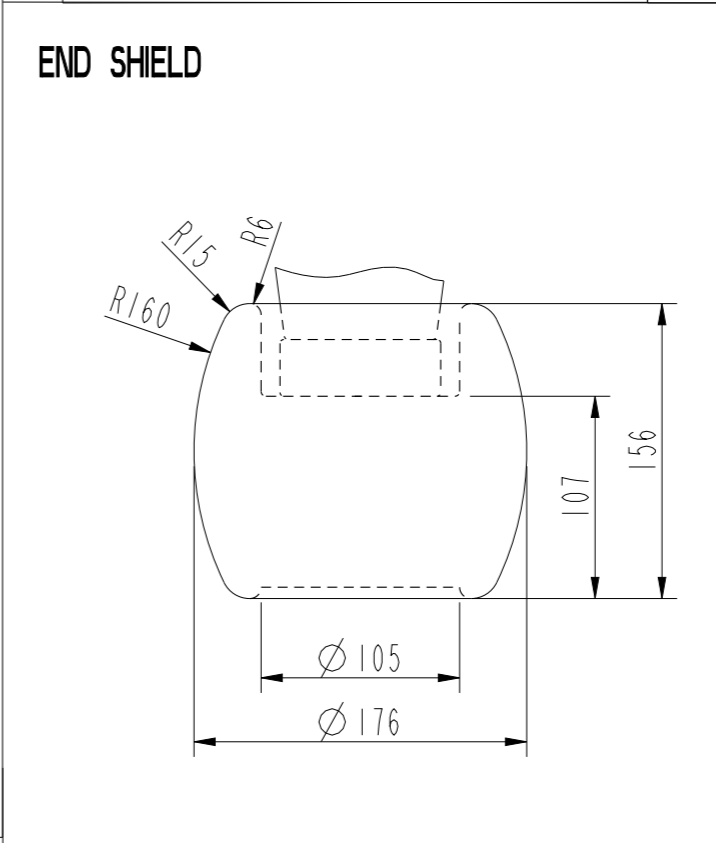
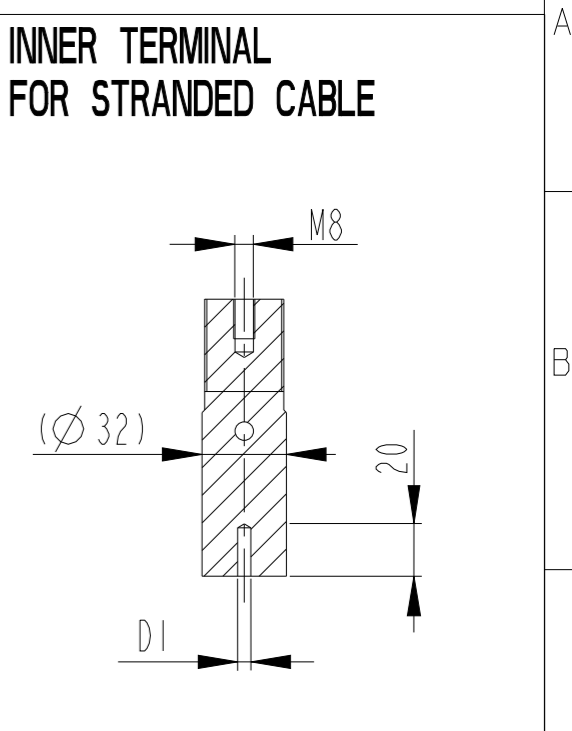
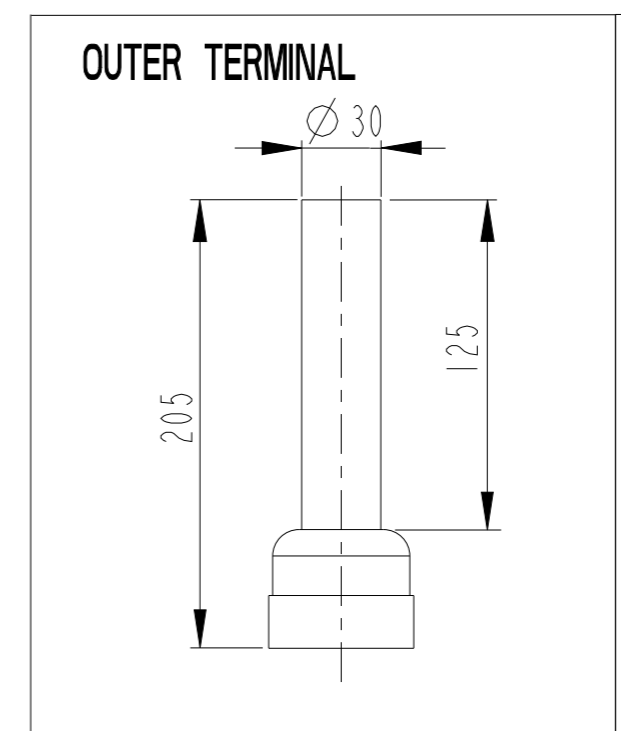


ABB		Ludvika, Sweden	
No.			
Um/Ur	kV Ir	A 50/60 Hz	
○	BIL	kV SIL	kV AC
M	kg L	mm	✓
C1	pF Tan δ	x	°
C2	pF Tan δ	x	

Created by Anandakrishnan R	Reviewed by Joakim Persson	Approved by Natalia Gutman	
Approved 2019-01-23	Document Kind Assembly Drawing	Based on doc.id	Work order id
Company ABB Technology Ltd	Title, Supplementary title GOB-1050-750-1100-0.6		
Responsible Department SEABB-9AAE300824	GOB-1050-750-1100-0.6		
<b>ABB</b>	Document id 2751400-7	Status Released	Revision A
		Iteration 1/1	Sheet 1/1