

---

Assembly Guidelines V4

# **Protecta Plus**

## **MCB Distribution Board 250 A**

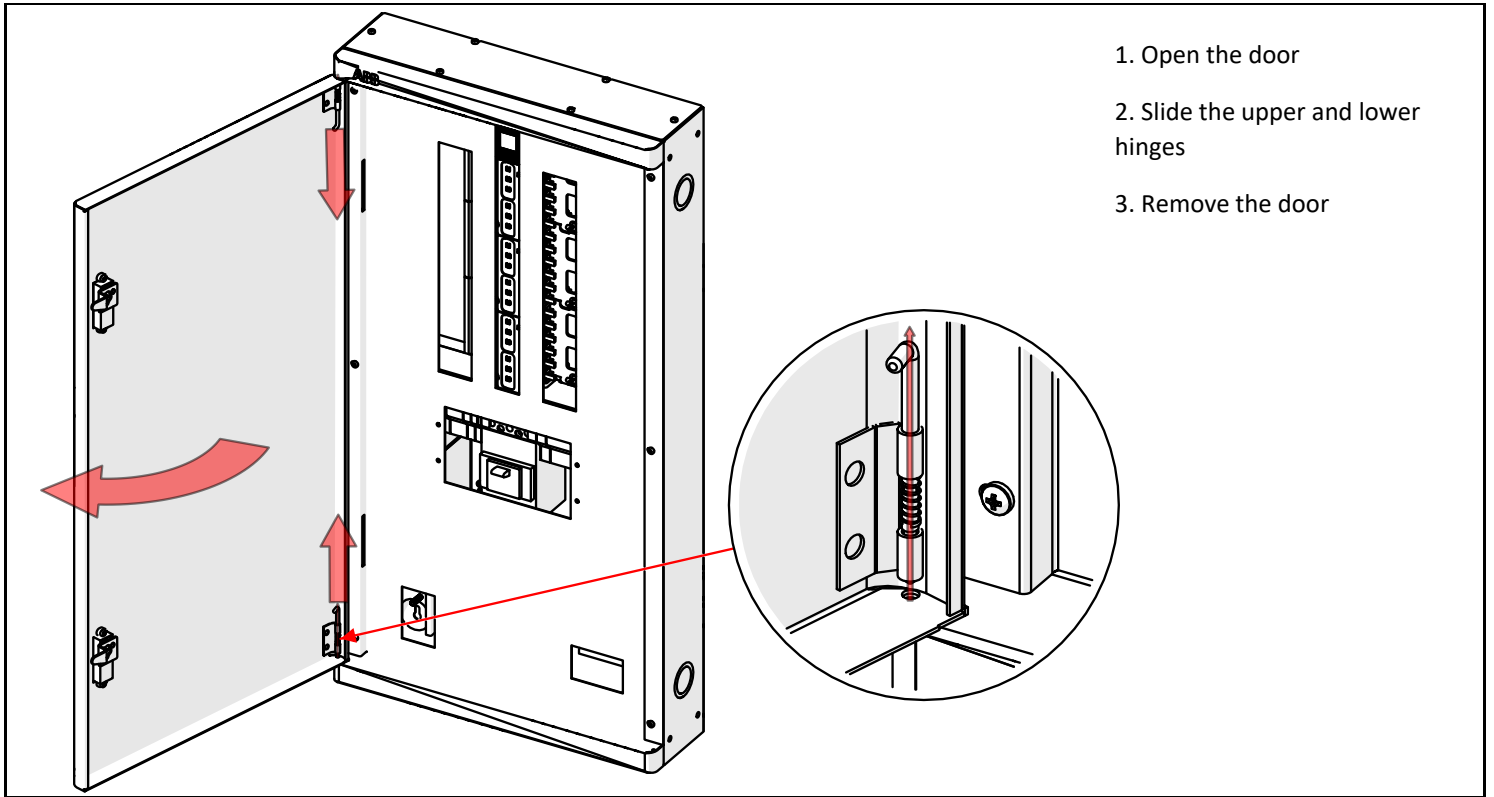




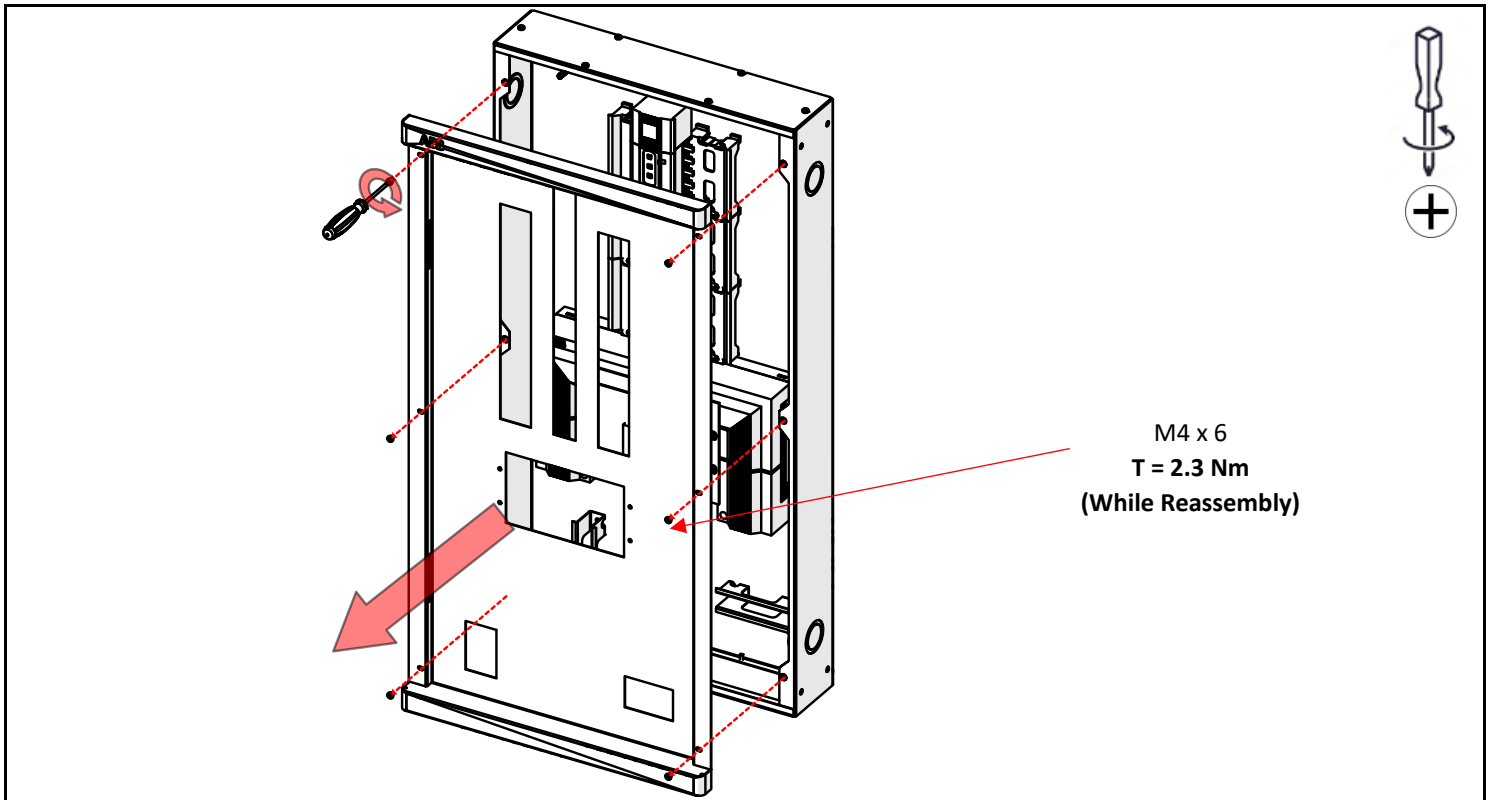
## Table of Contents

<b>Removal of the Inner Cover</b> .....	1
<b>Removal of the Gland Plates</b> .....	2
<b>Removal of the Incoming Cover</b> .....	2
<b>Safety Warning</b> .....	3
<b>Cutting the Incoming Cover</b> .....	4
<b>Assembly of MCB/RCBO</b> .....	4
<b>Connections to Neutral/Earth bars</b> .....	5
<b>Wall Mounting</b> .....	5
<b>Assembly of the Facia</b> .....	6
<b>Attaching Labels</b> .....	6
<b>Horizontal Stacking –Side Extension</b> .....	7
<b>Vertical Stacking – Top and Bottom Extension</b> .....	8
<b>Incoming Kit - 3 pole XT1 - 160A</b> .....	9
<b>Incoming Kit - 3 pole XT3 – 250A</b> .....	10
<b>Incoming Kit - 4 pole XT1 – 160A</b> .....	11
<b>Incoming Kit - 4 pole XT3 – 250A</b> .....	12
<b>Incoming Kit – EPP-1251P</b> .....	13
<b>Incoming Kit – EPP-2501P</b> .....	13
<b>Incoming Kit – E203 – 125A</b> .....	14
<b>Incoming Kit – E204 – 125A</b> .....	15
<b>Incoming Kit – F204 – RCD</b> .....	16
<b>Incoming Kit – Direct Cable – 250A</b> .....	17
<b>Vertical Spilt DB</b> .....	19
<b>Top Earth Bar Kit</b> .....	20

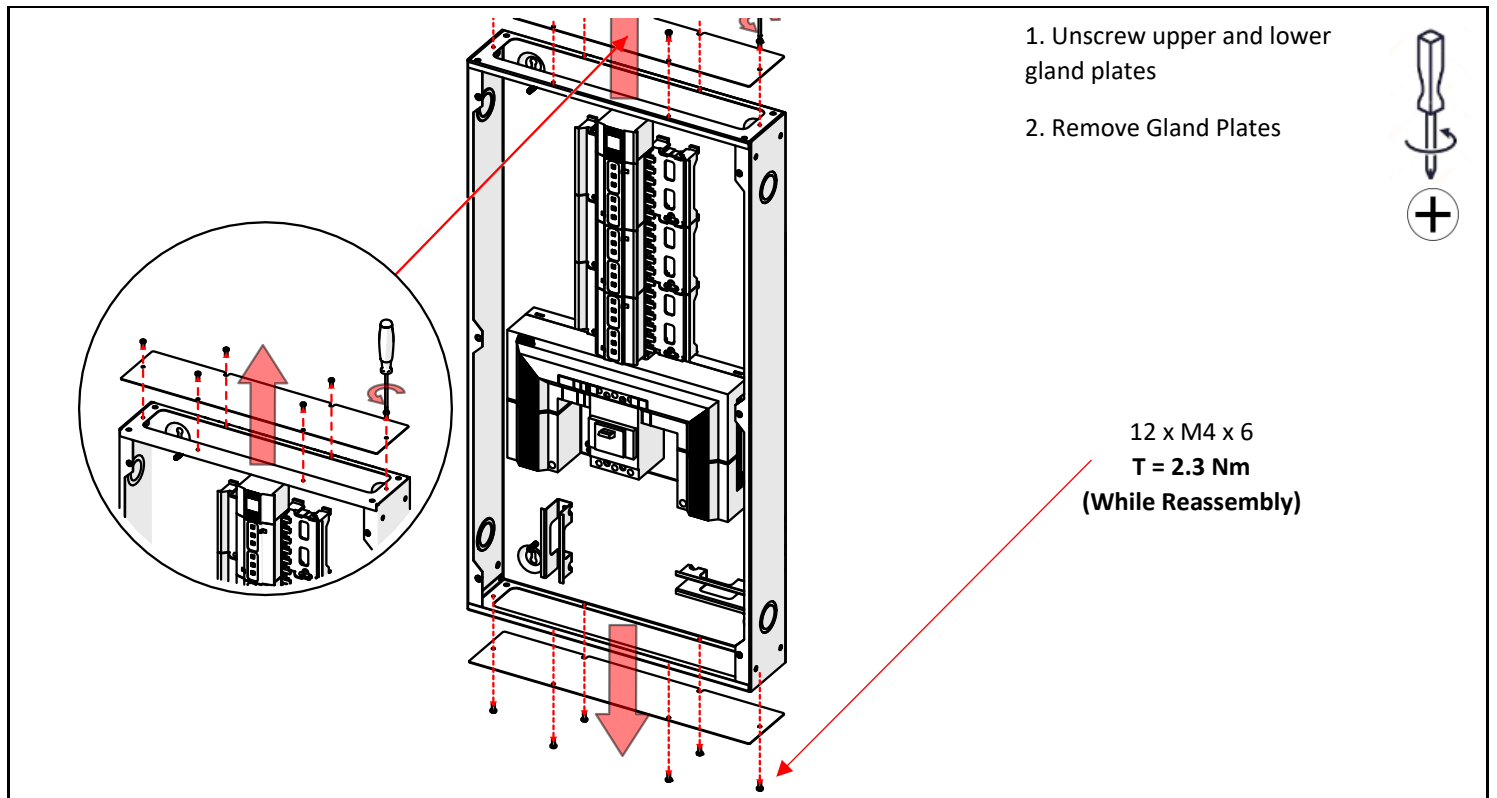
## Removal of the Door



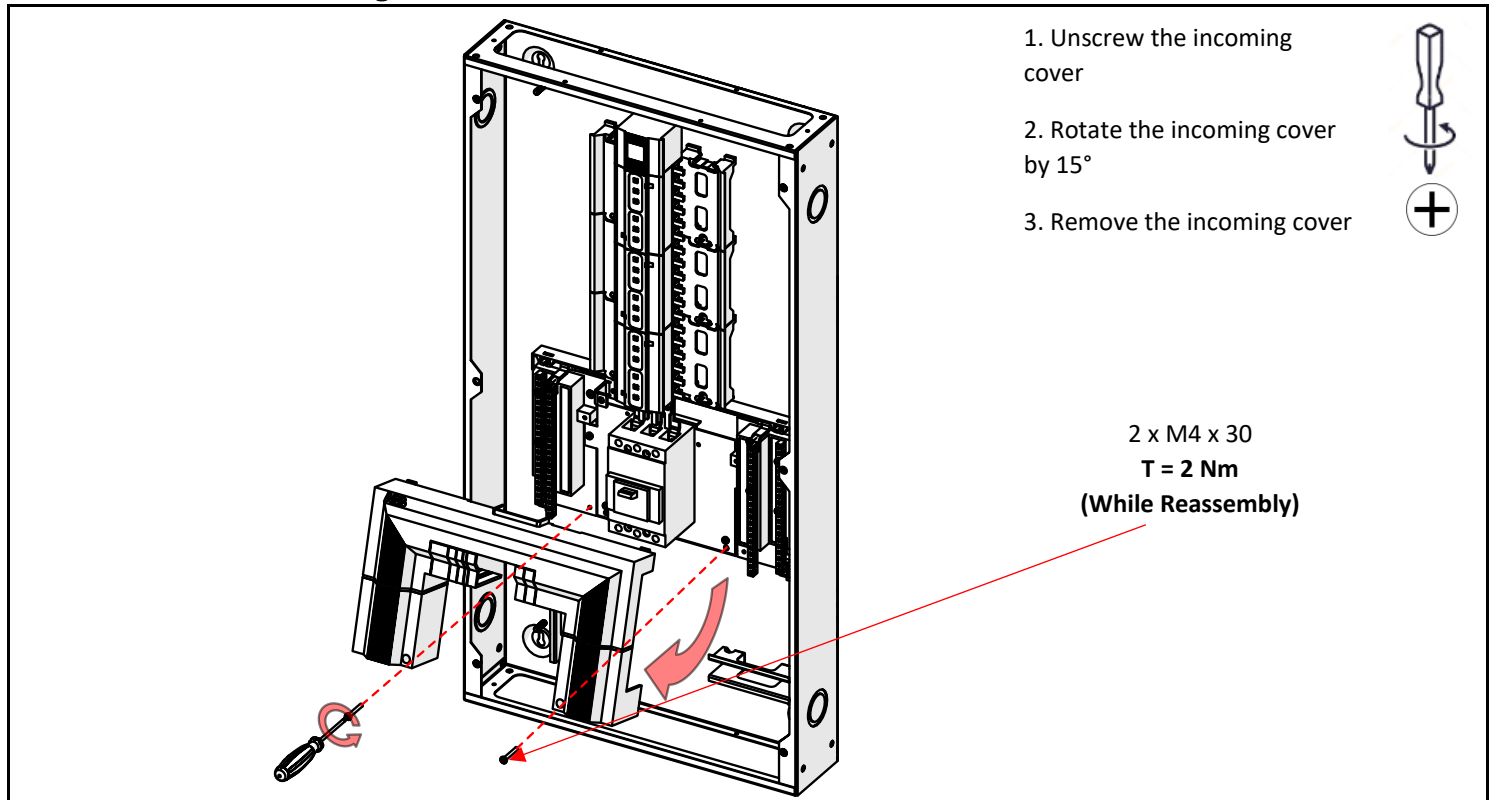
## Removal of the Inner Cover



## Removal of the Gland Plates



## Removal of the Incoming Cover

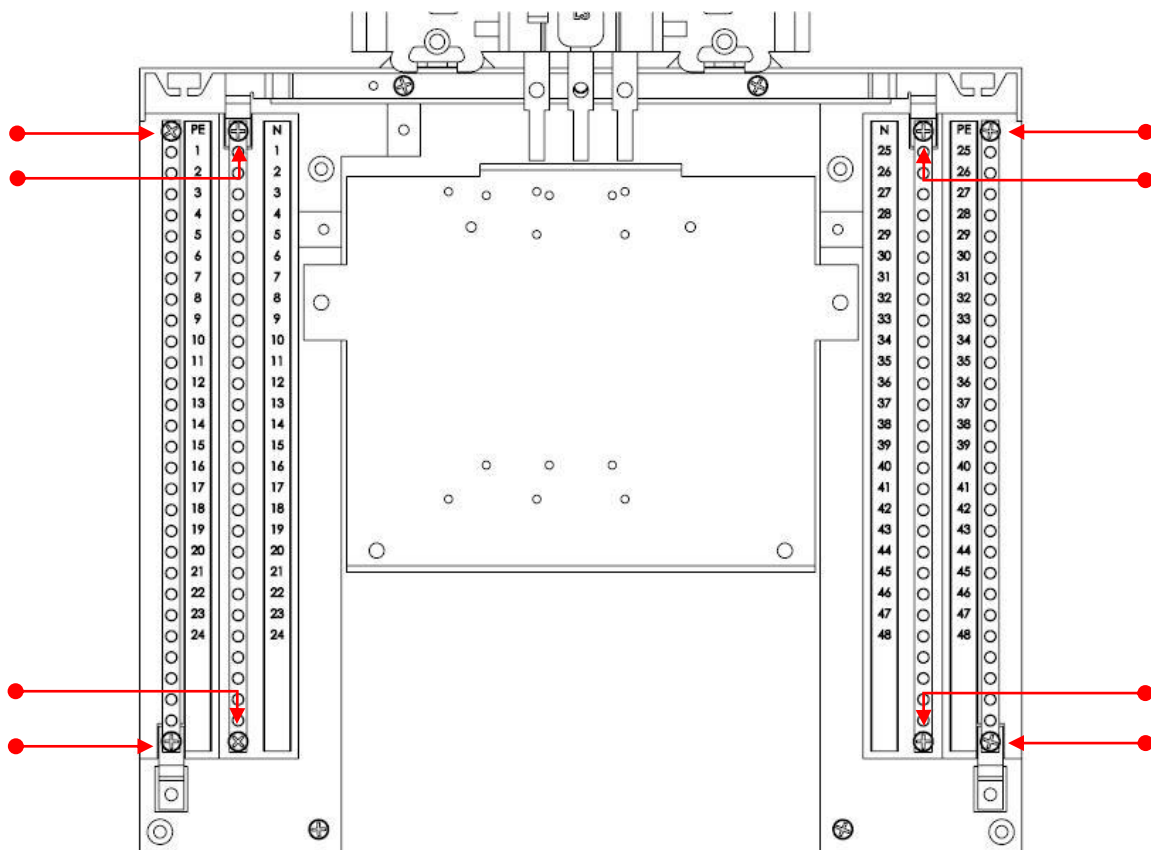


## Safety Warning

**ALL PRODUCT(S) MUST BE INSTALLED BY A SUITABLY COMPETENT ELECTRICIAN CONSIDERING THEIR INTENDED USE AND IN ACCORDANCE WITH THE CURRENT EDITION OF BS 7671 (IET WIRING REGULATIONS).**

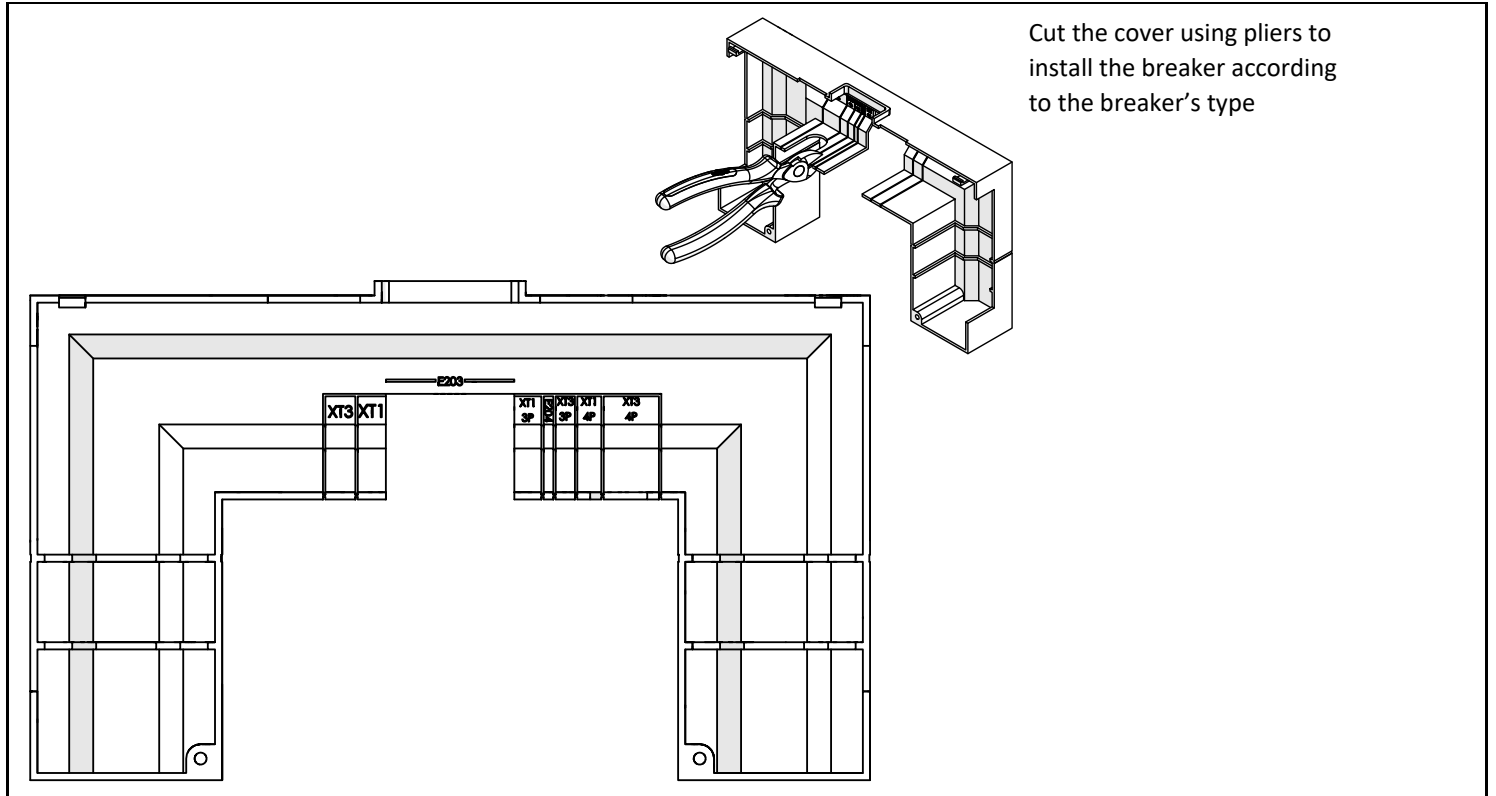
## Notice:

To prevent potential overheating from loose connections the installer shall check connections are tightened to the torque levels stated in these instructions prior to energising this board. This check should include factory made connections which may have loosened in transit as shown below.

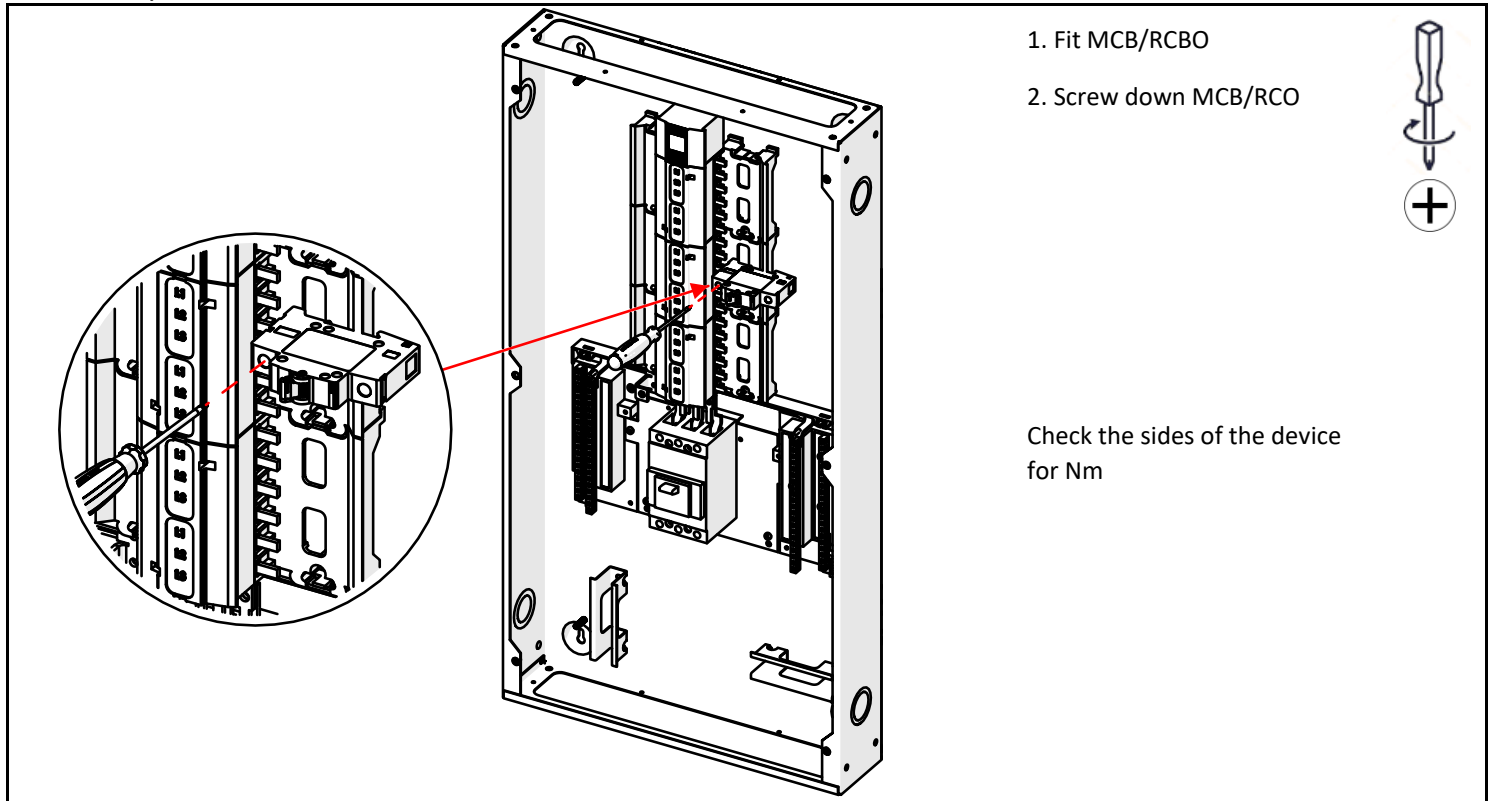


For all shown screws please check that  $T = 2 \text{ Nm}$

## Cutting the Incoming Cover

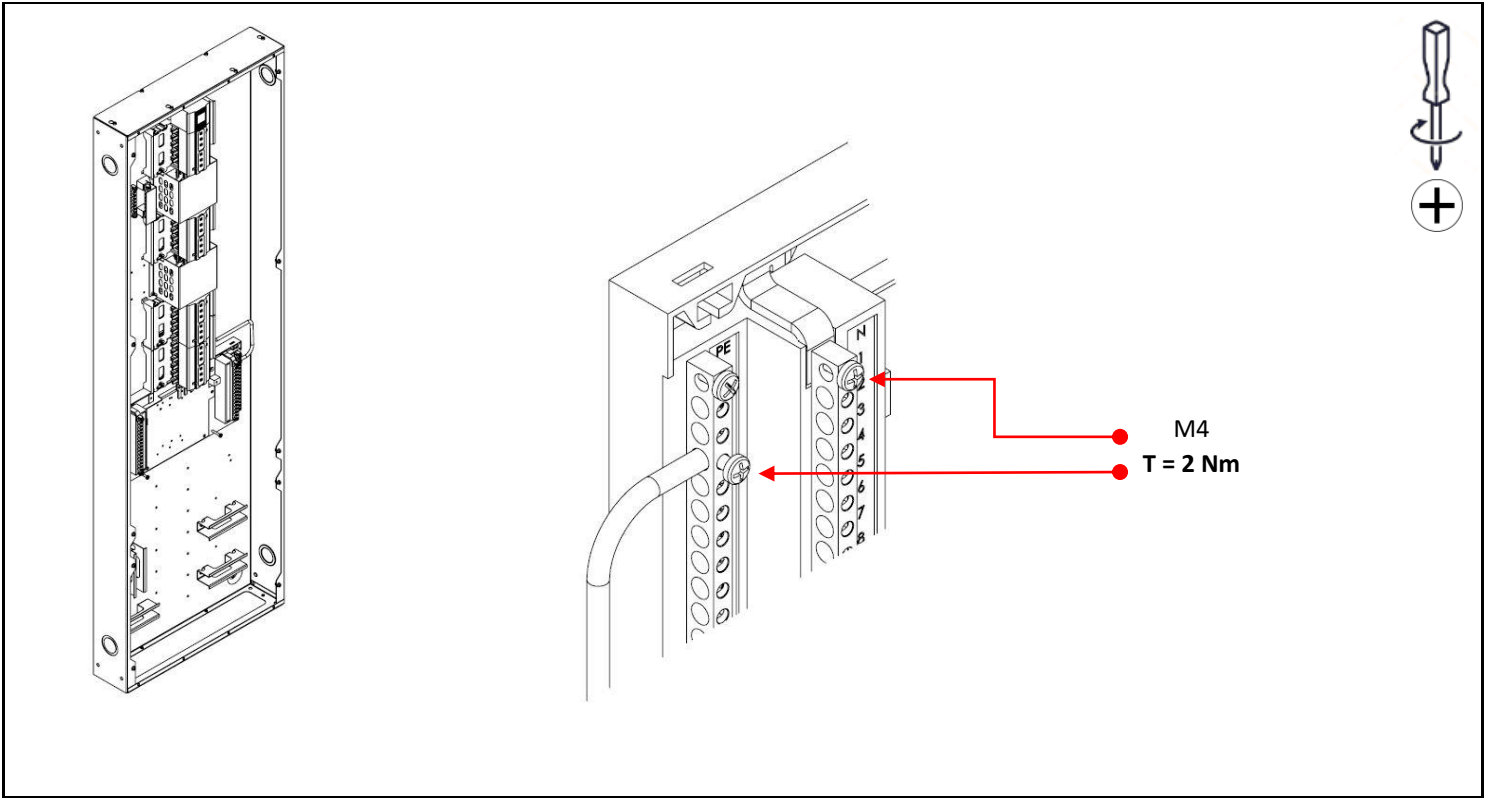


## Assembly of MCB/RCBO

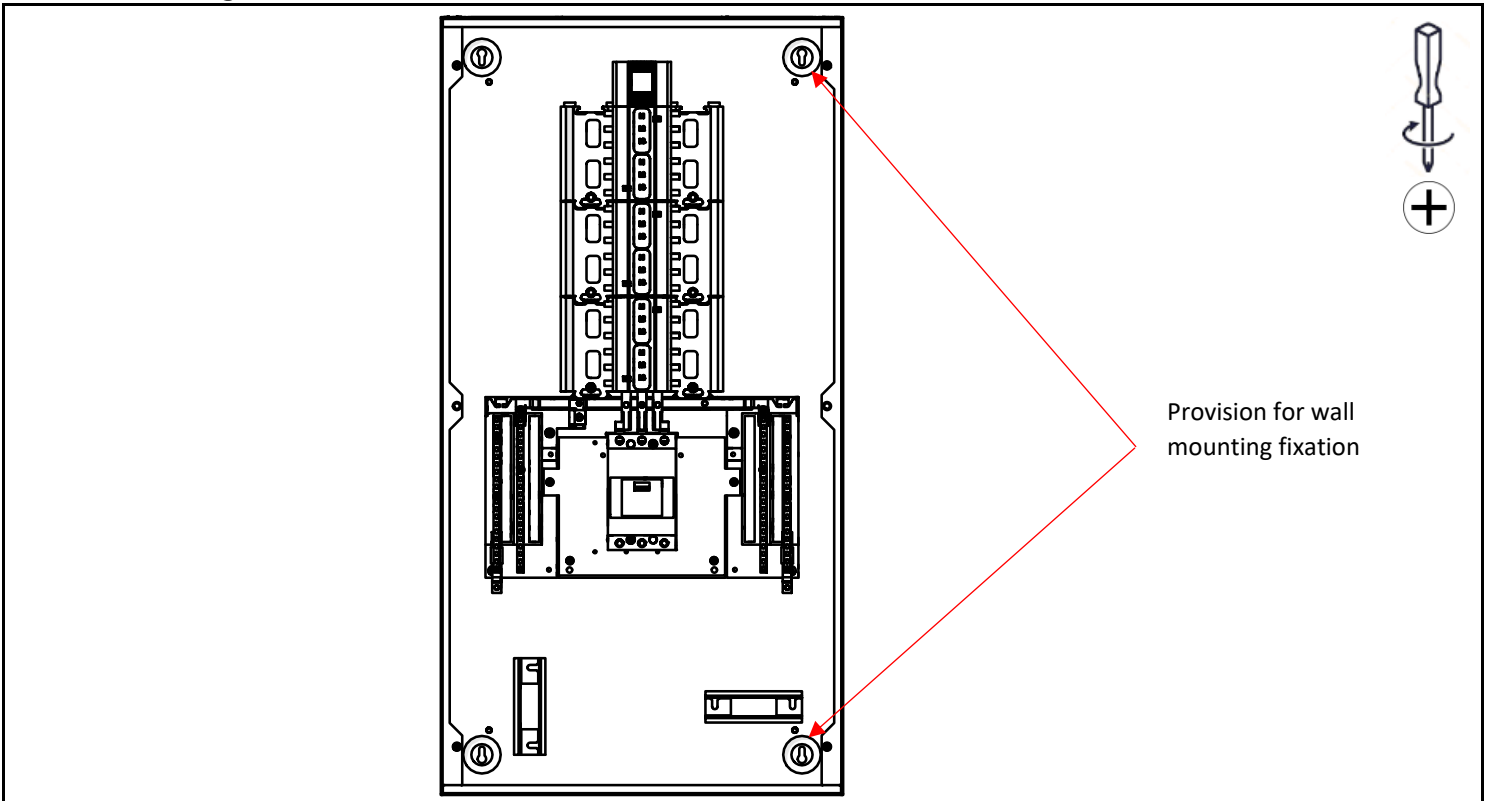




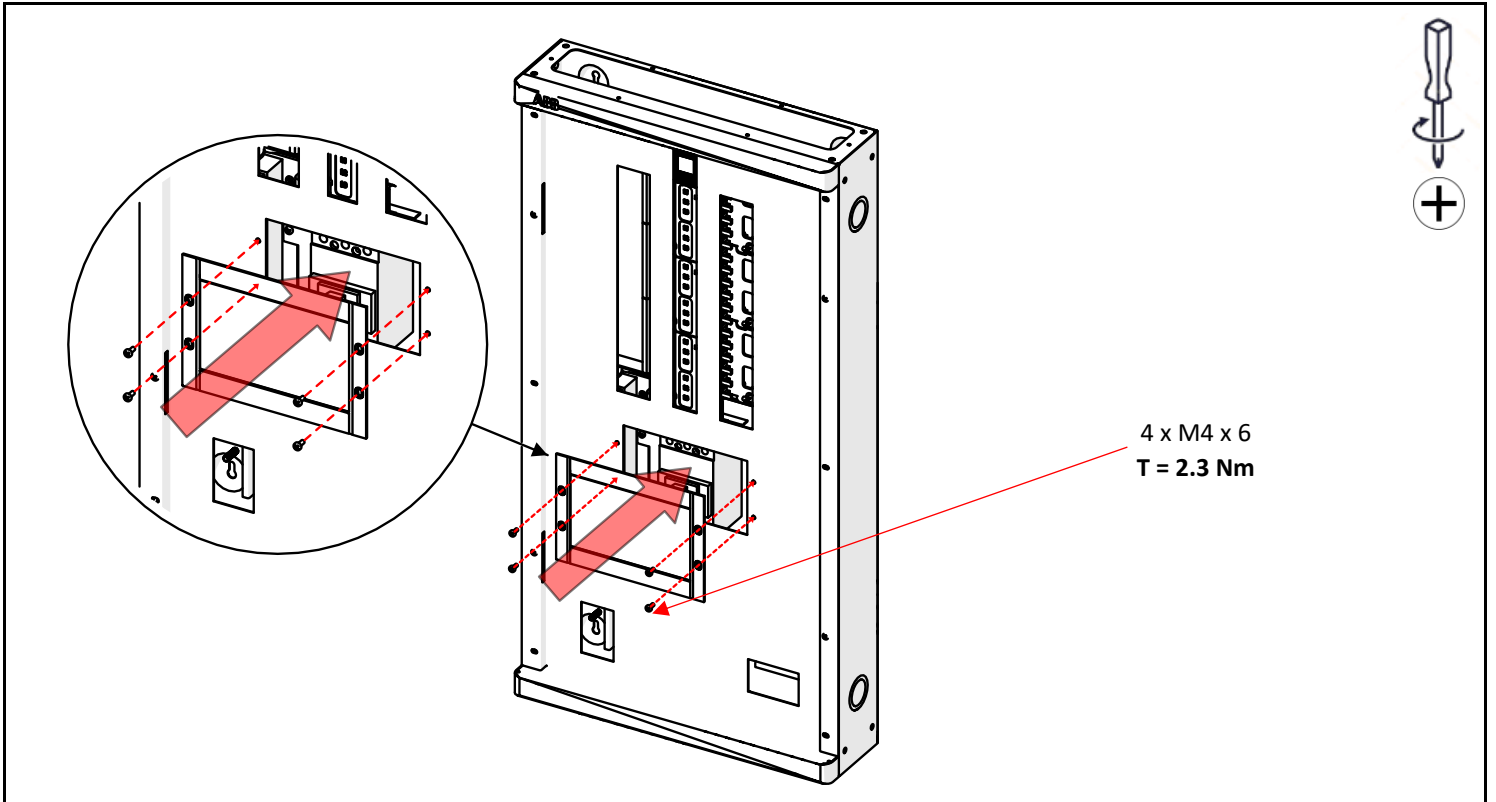
## Connections to Neutral/Earth bars



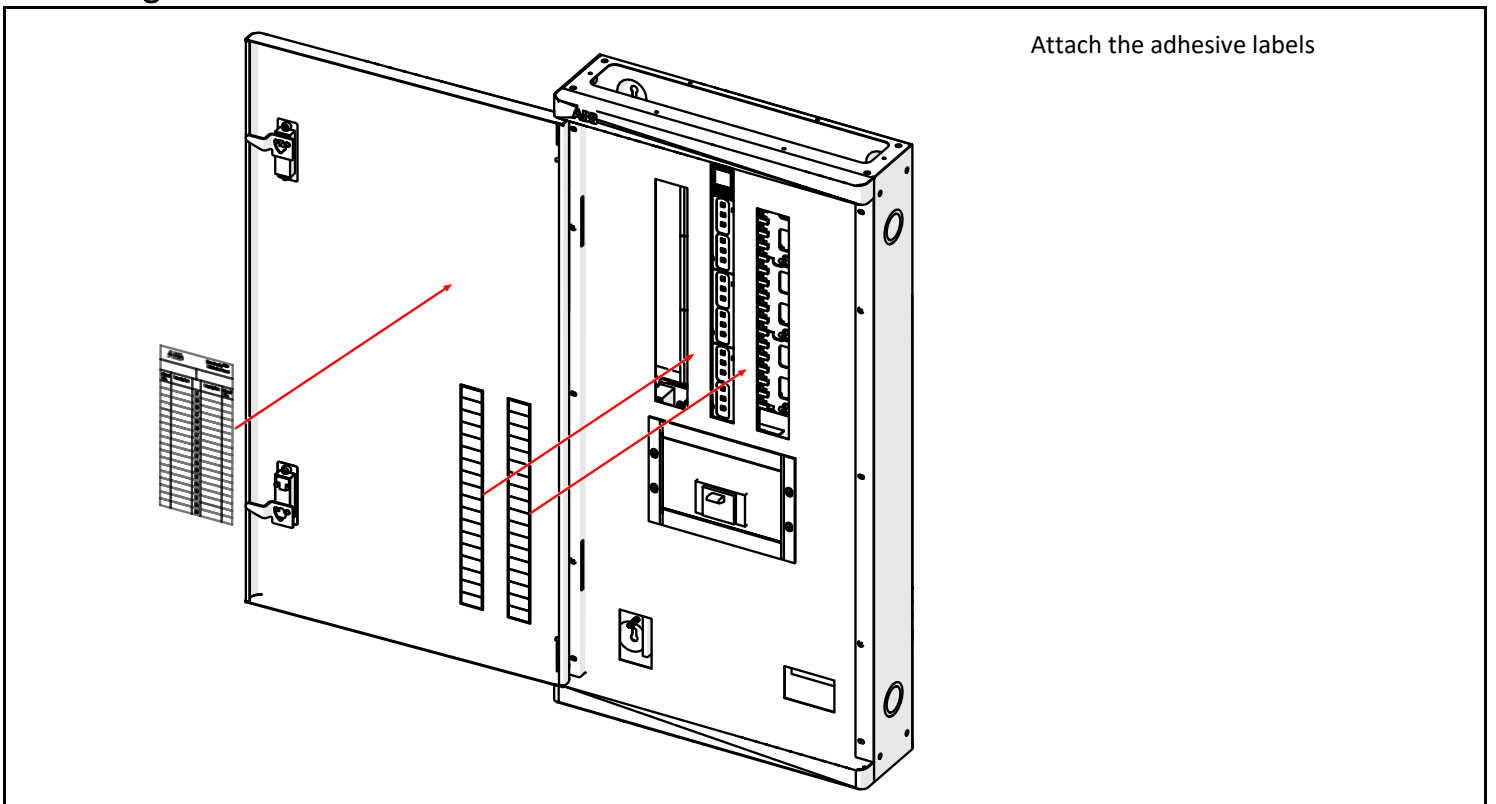
## Wall Mounting



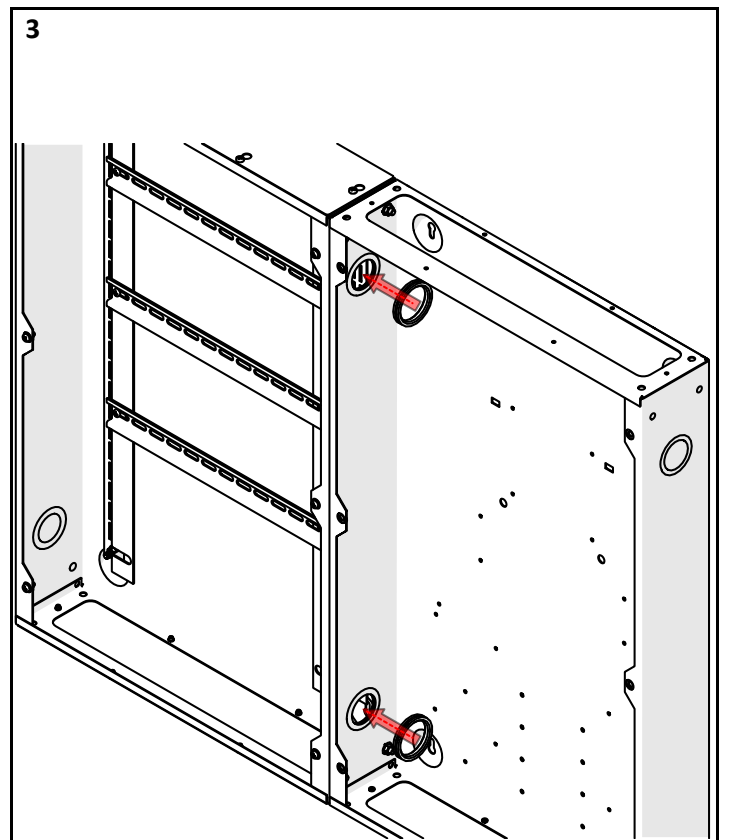
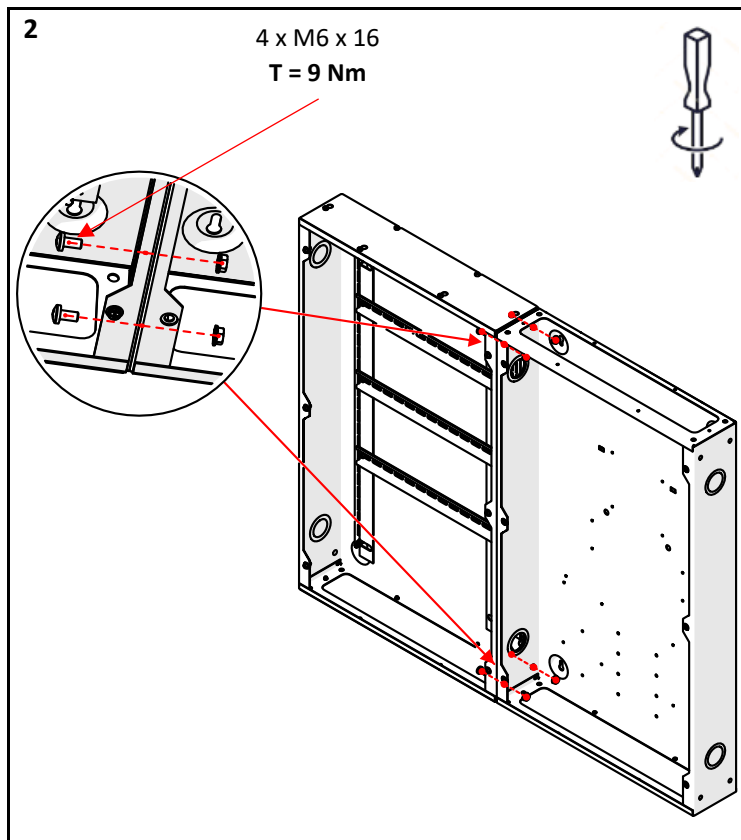
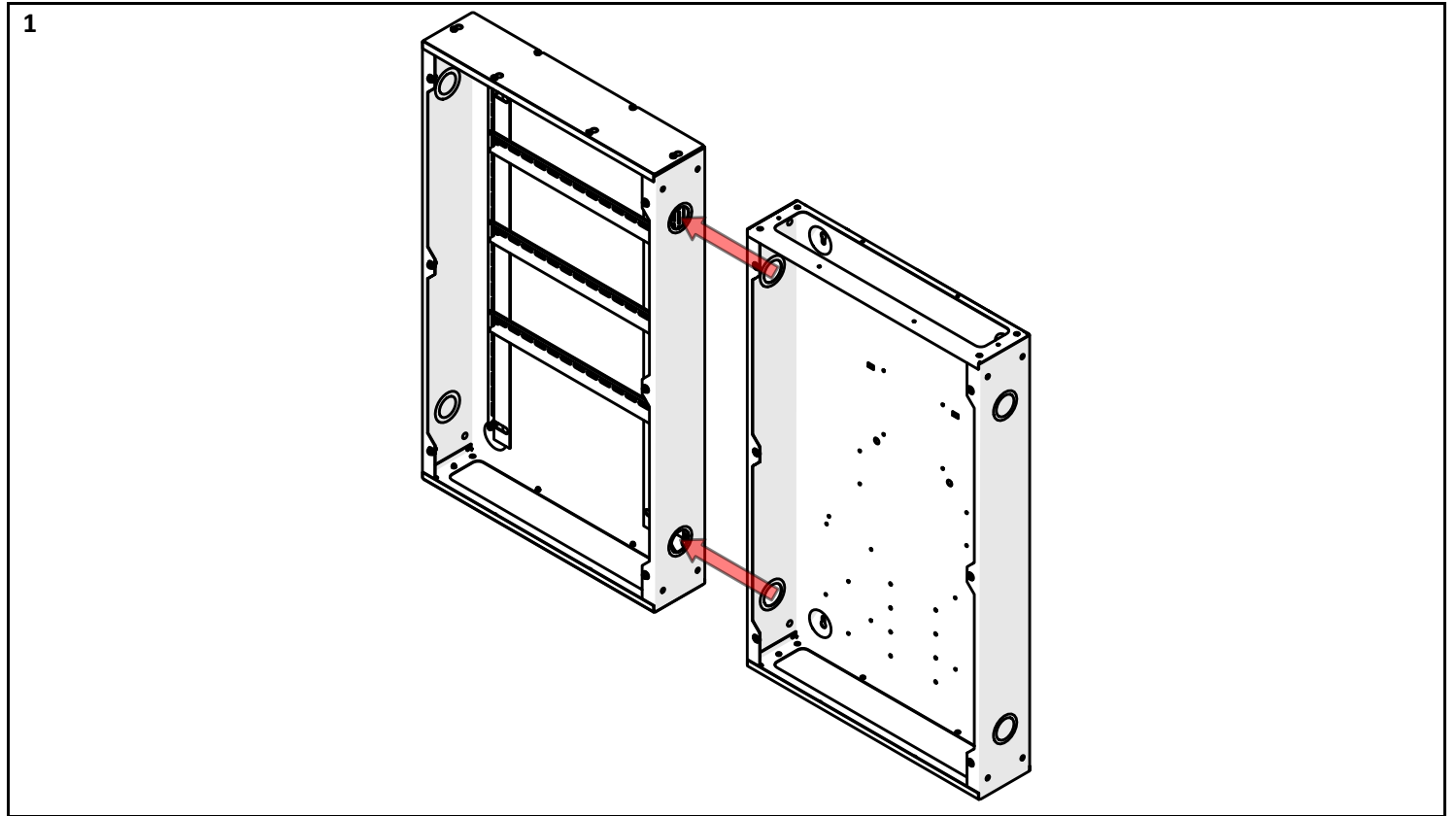
## Assembly of the Facia



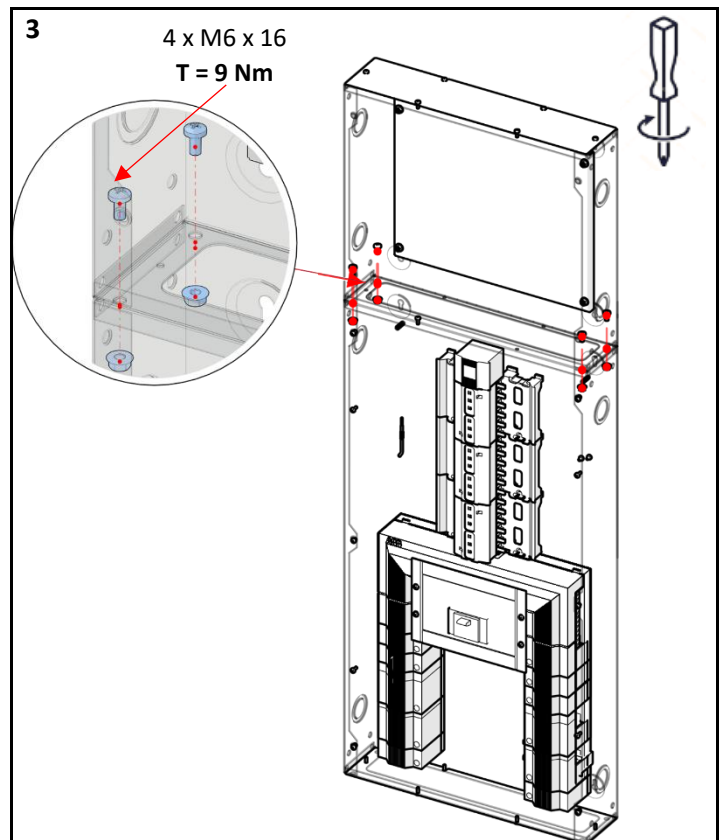
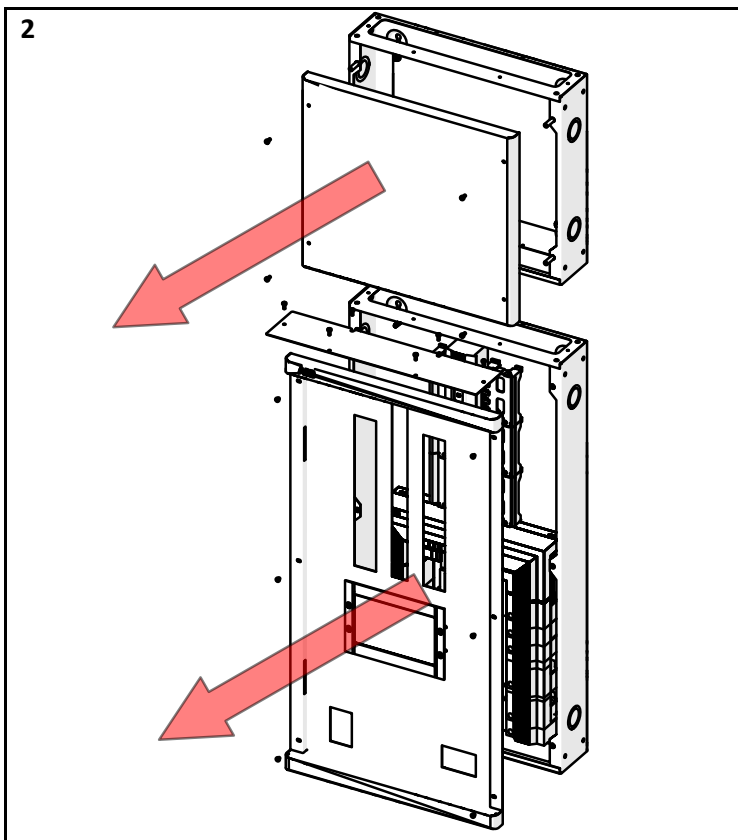
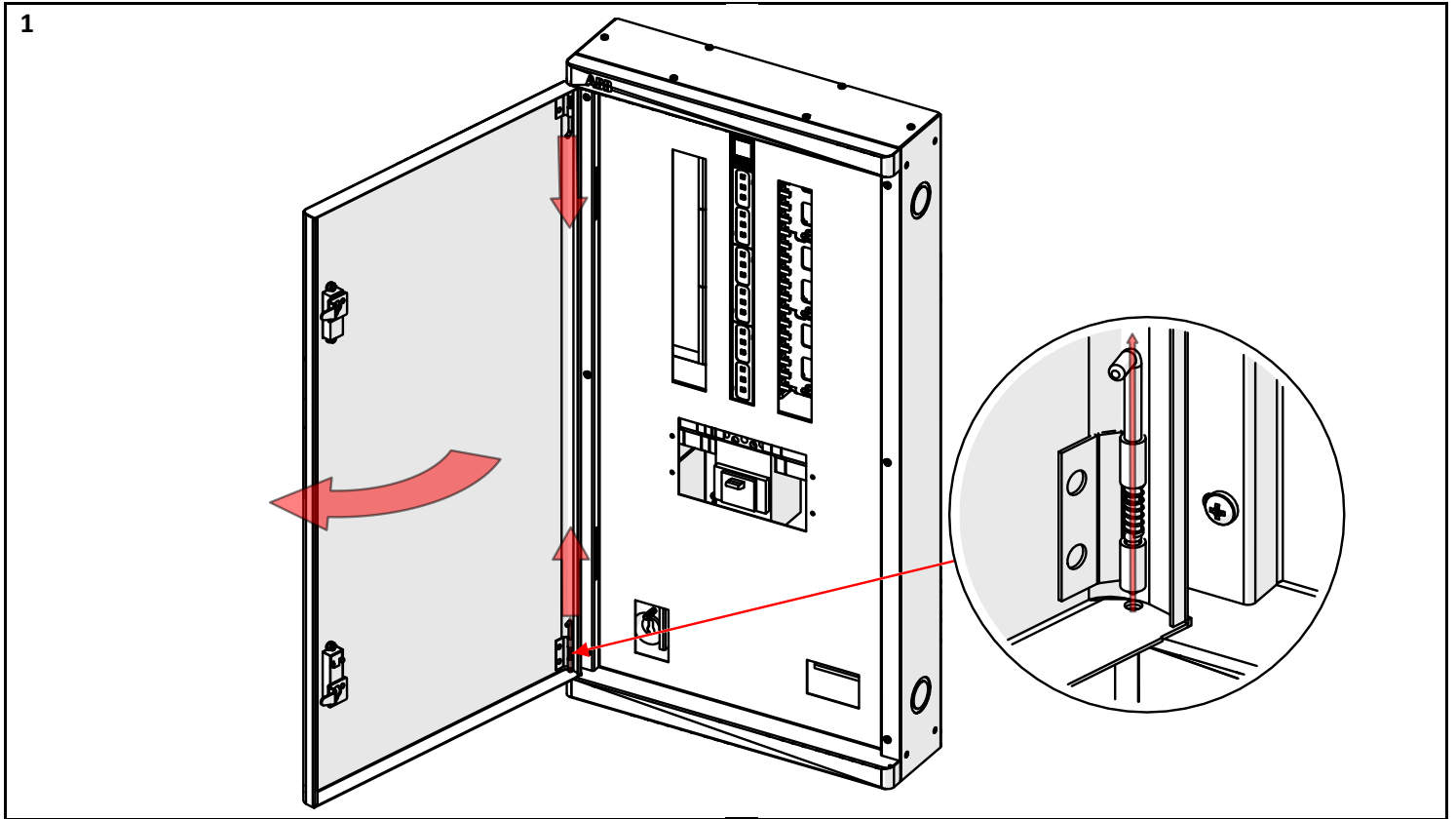
## Attaching Labels



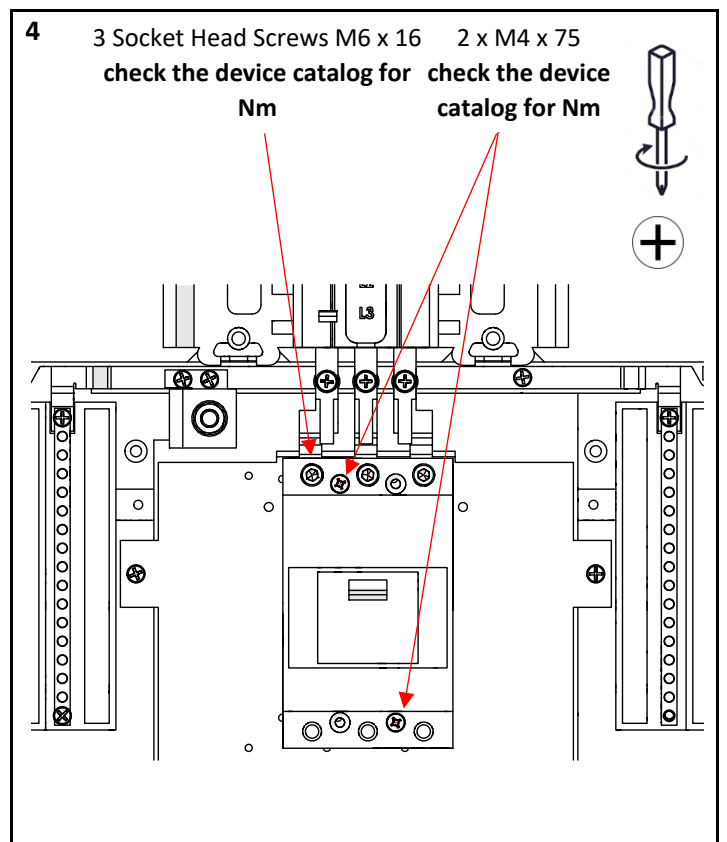
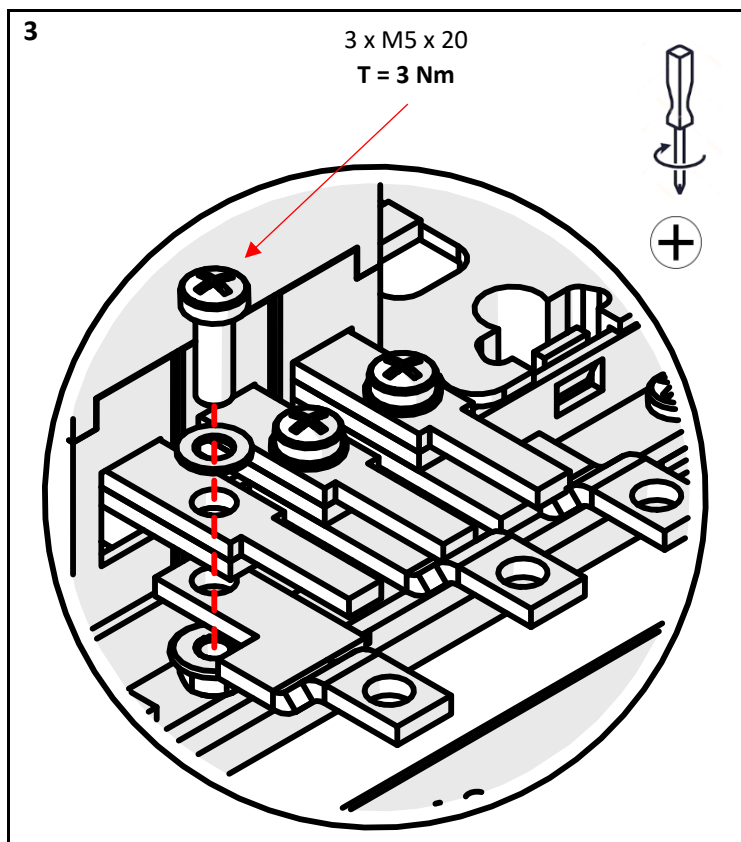
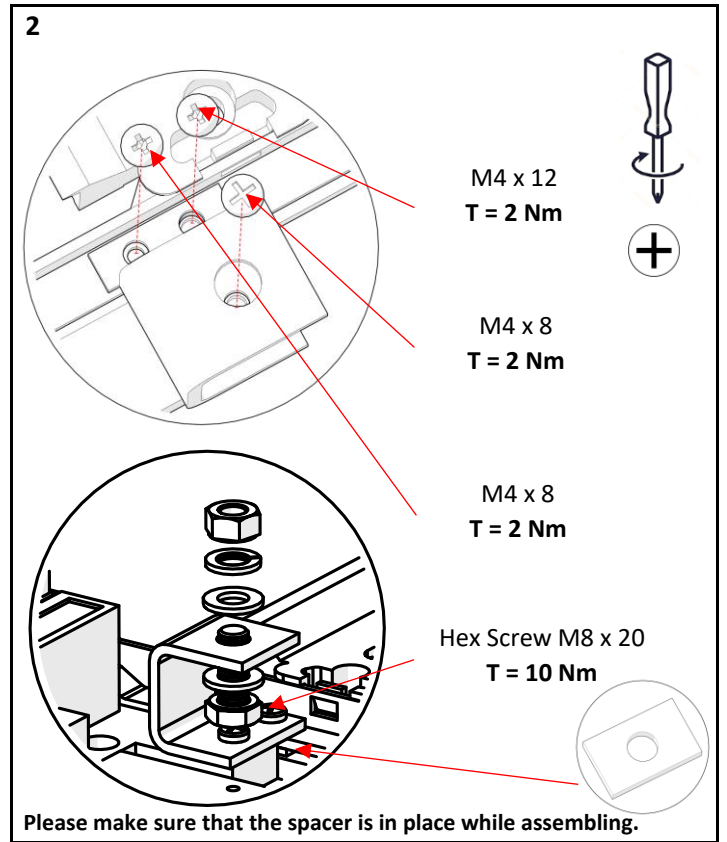
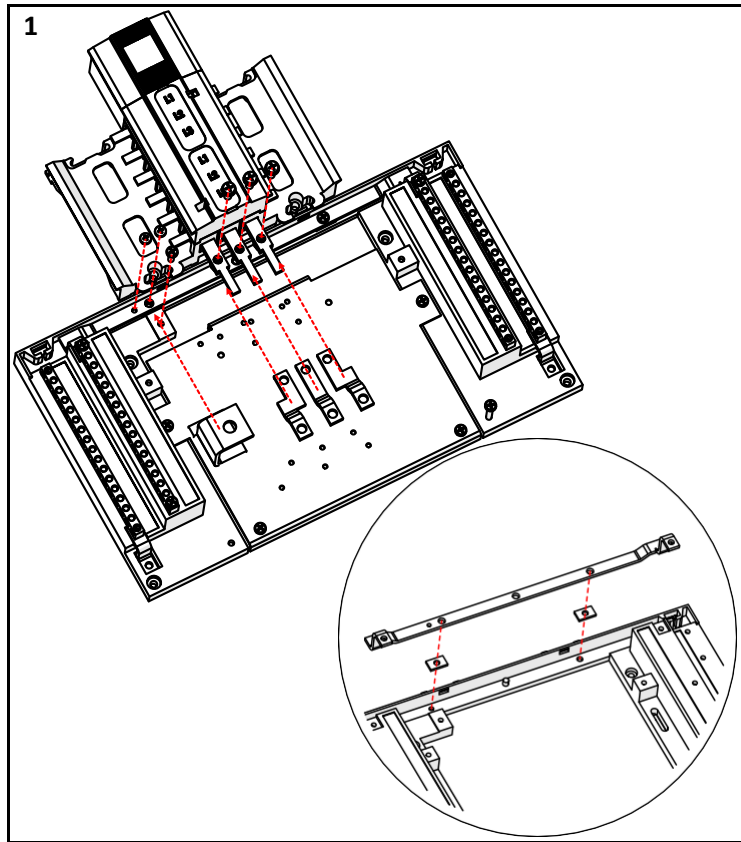
# Horizontal Stacking – Side Extension



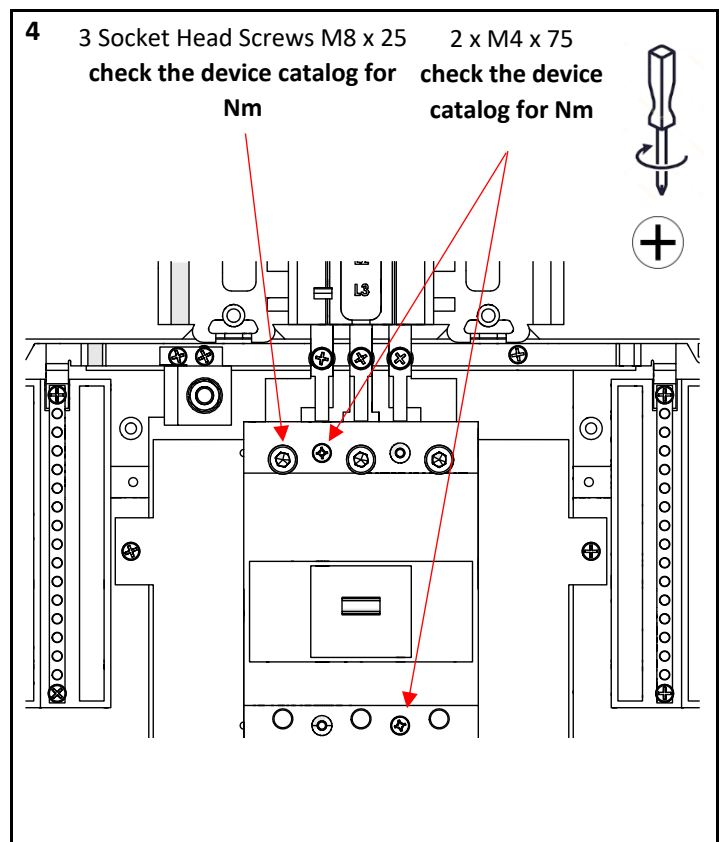
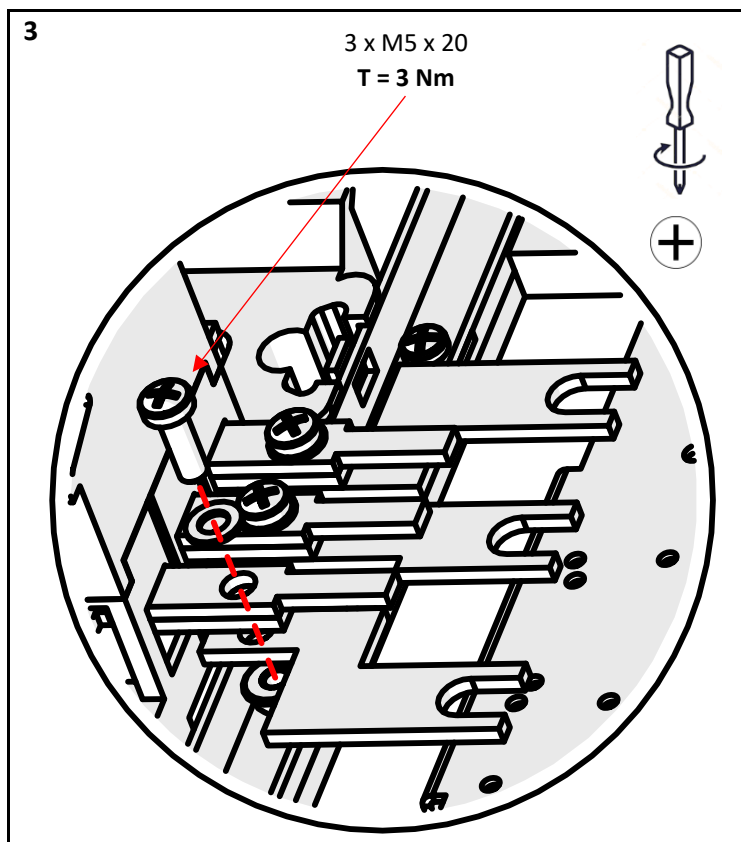
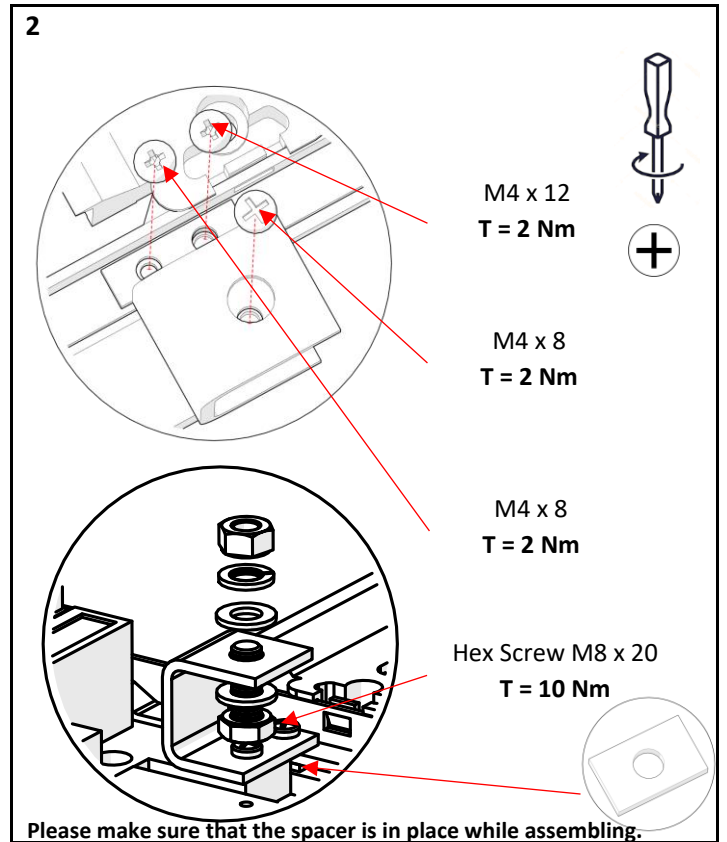
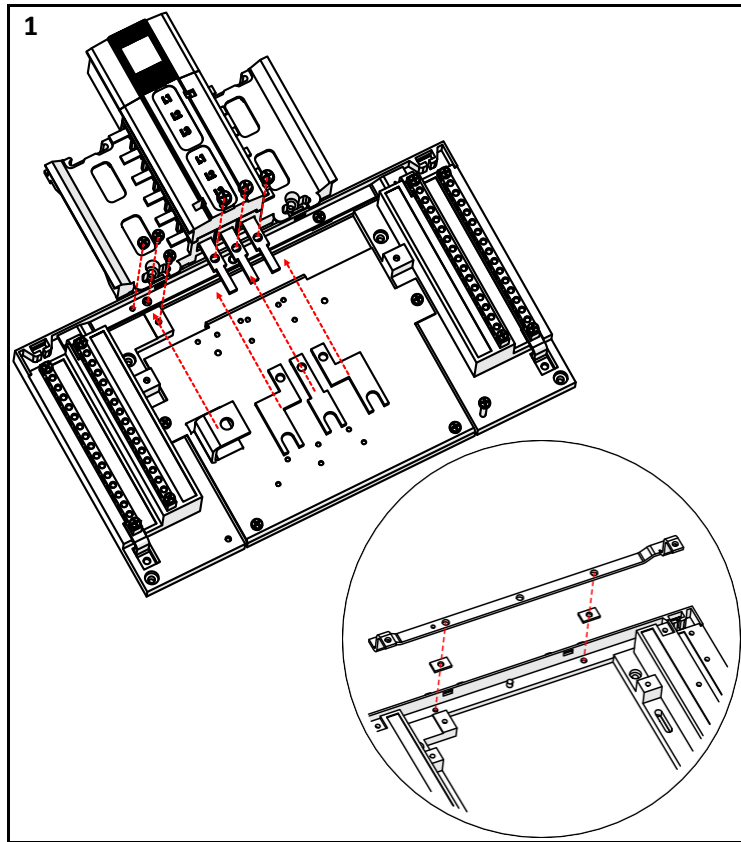
# Vertical Stacking – Top and Bottom Extension



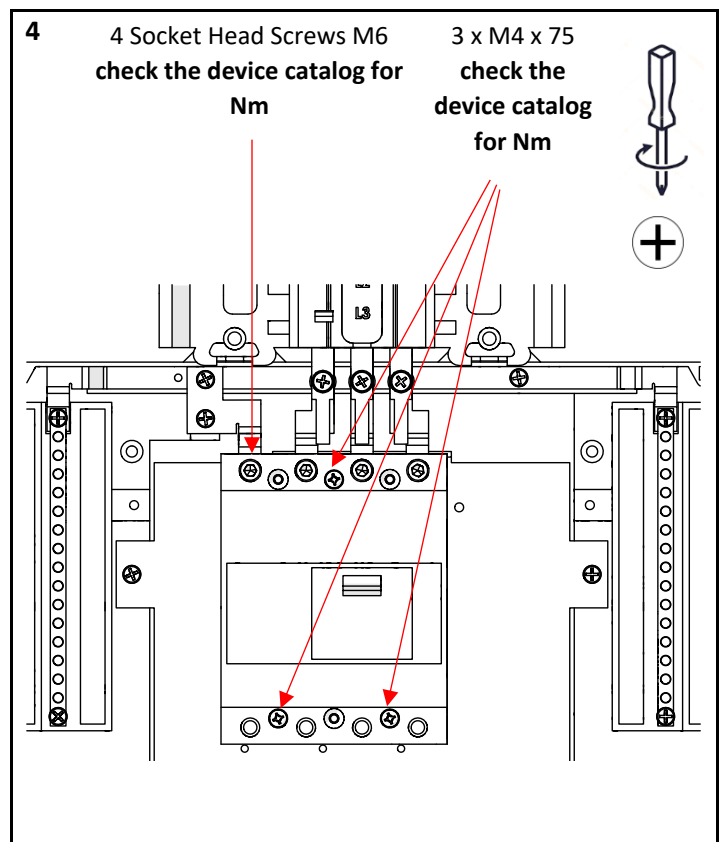
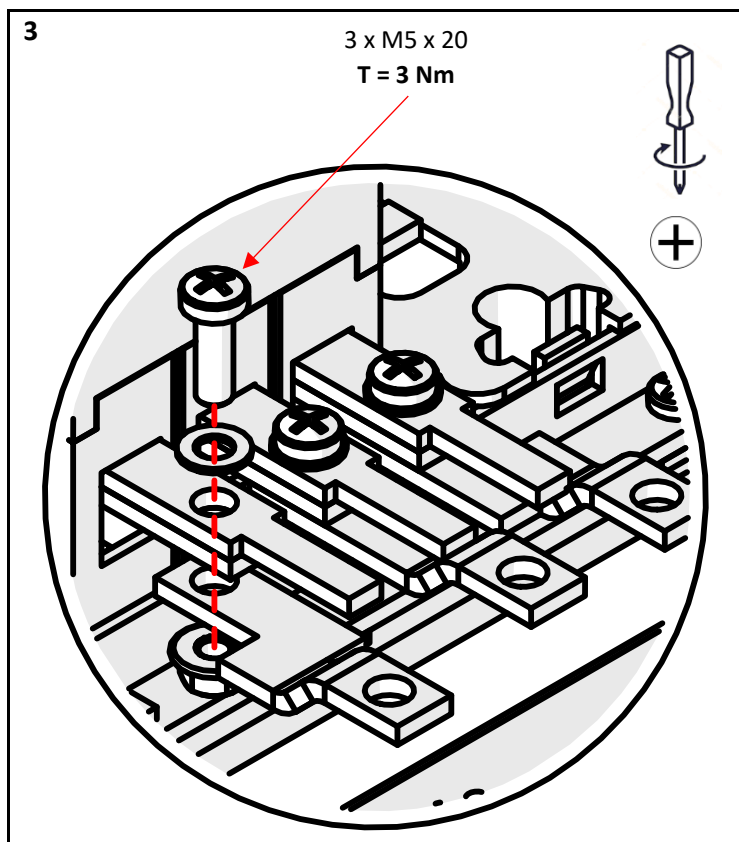
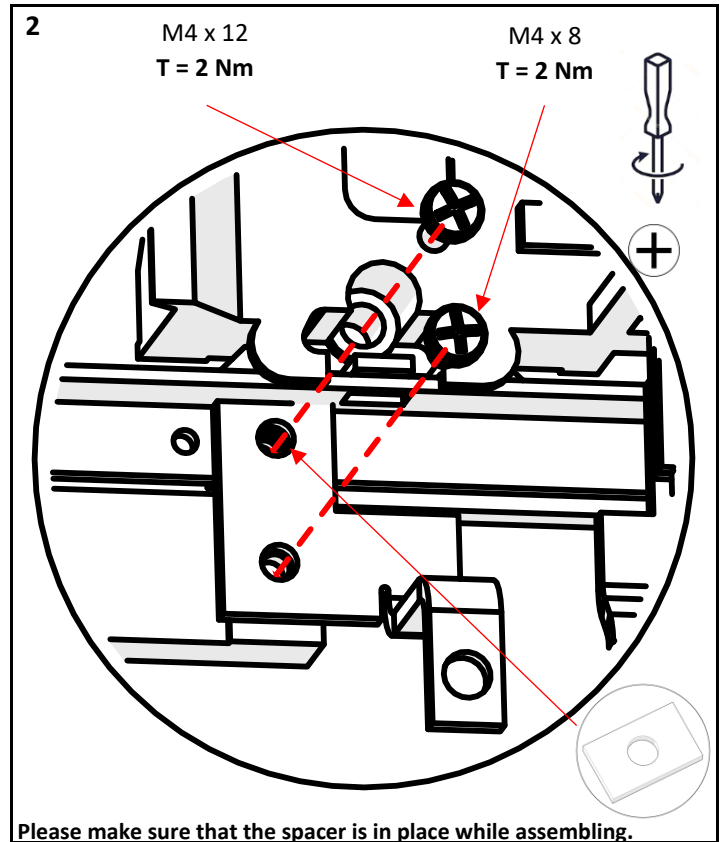
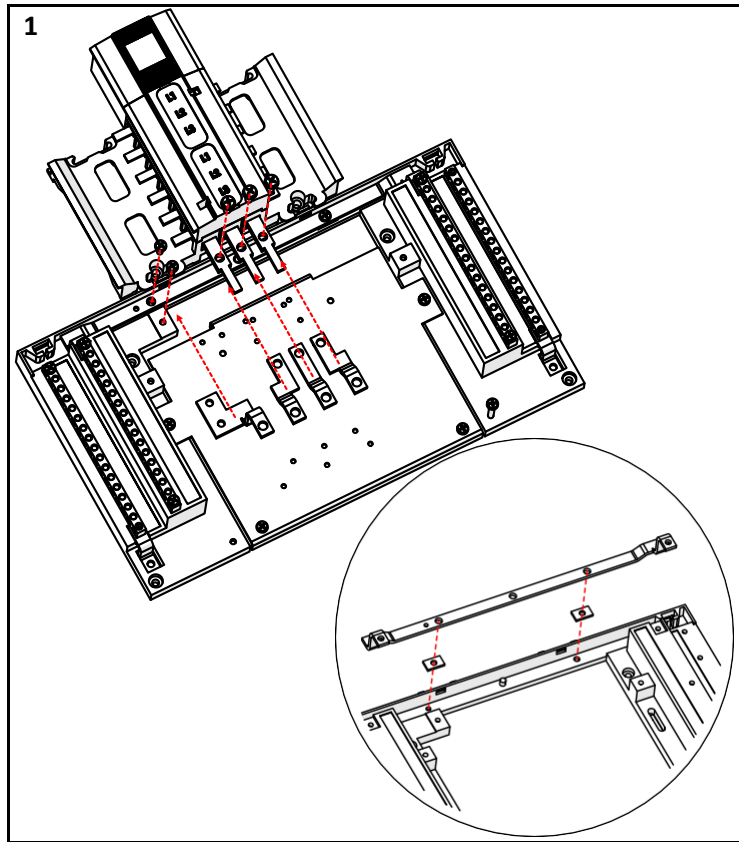
# Incoming Kit - 3 pole XT1 - 160A



Incoming Kit - 3 pole XT3 – 250A

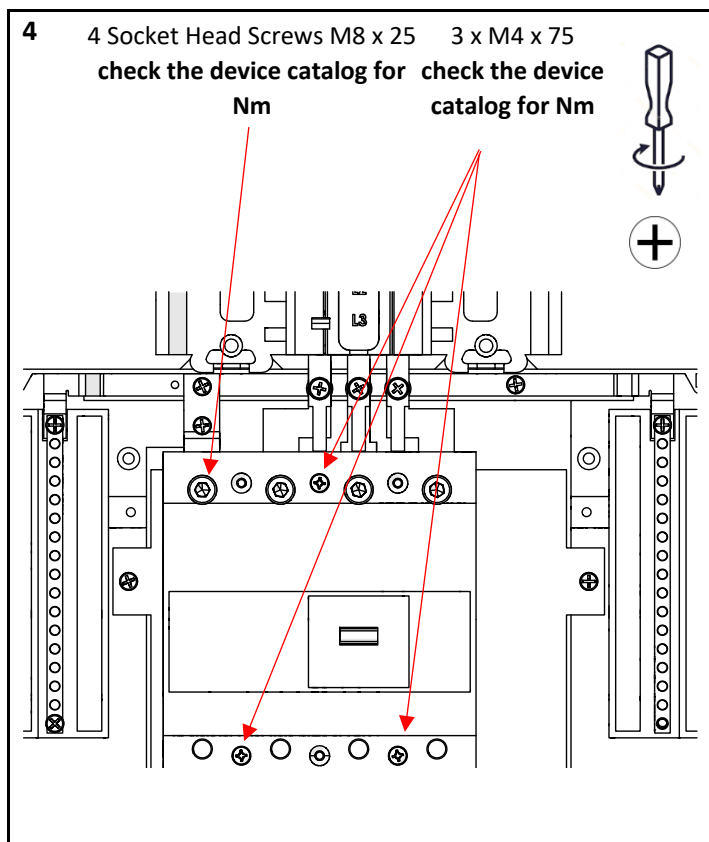
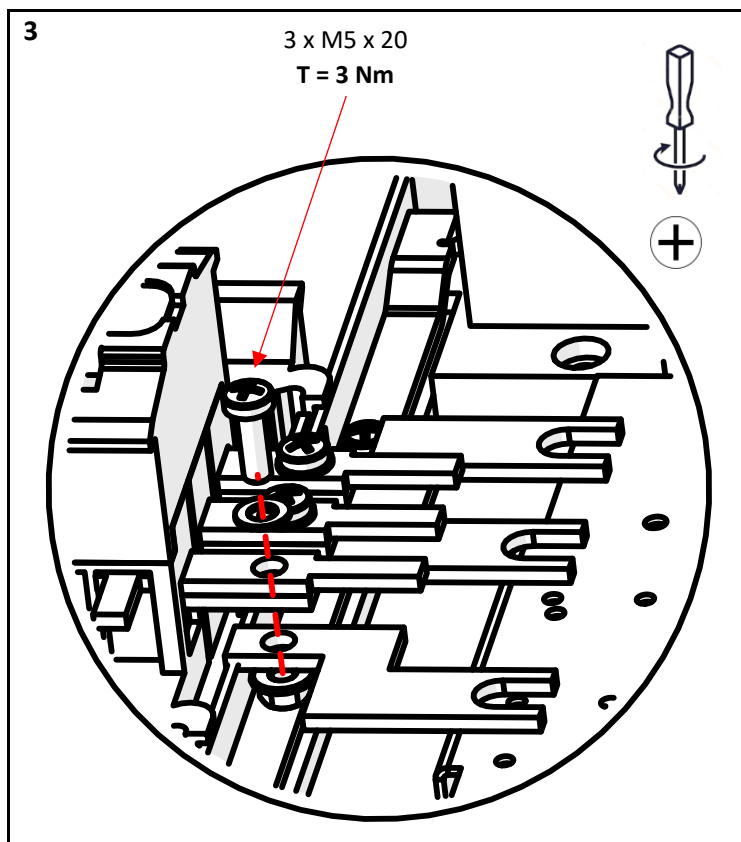
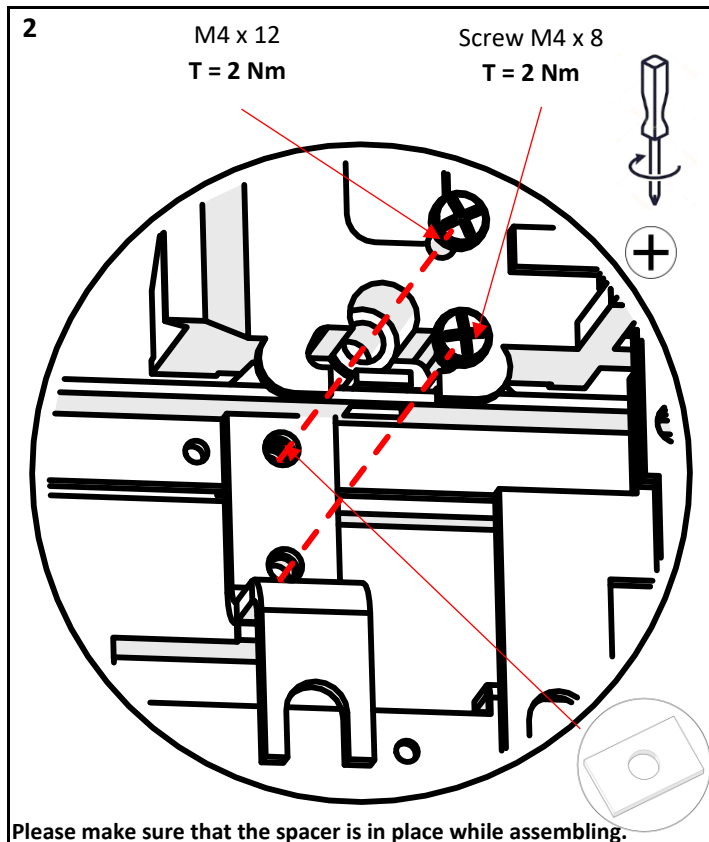
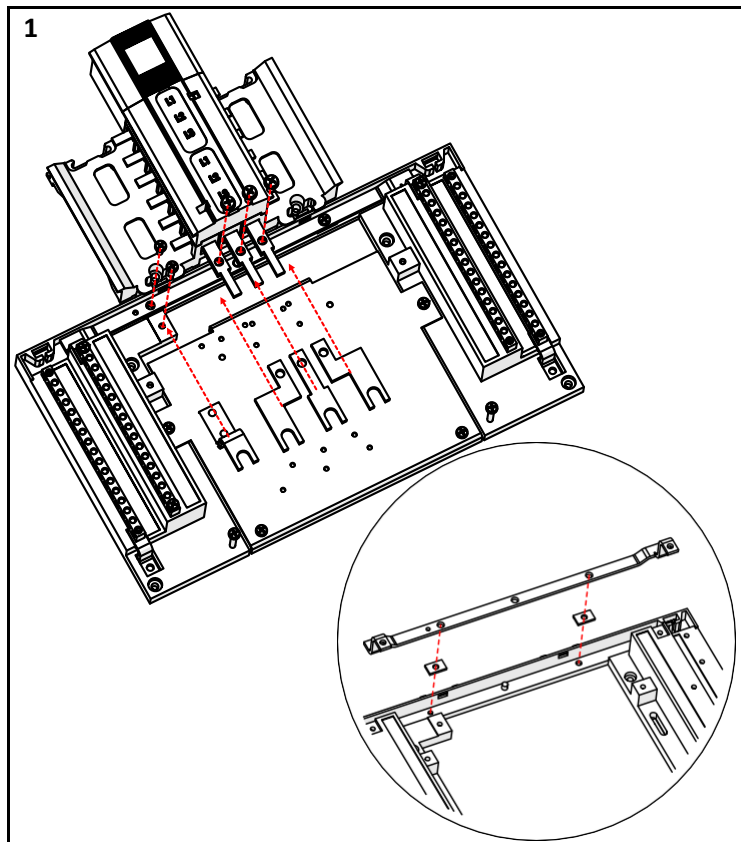


Incoming Kit - 4 pole XT1 – 160A



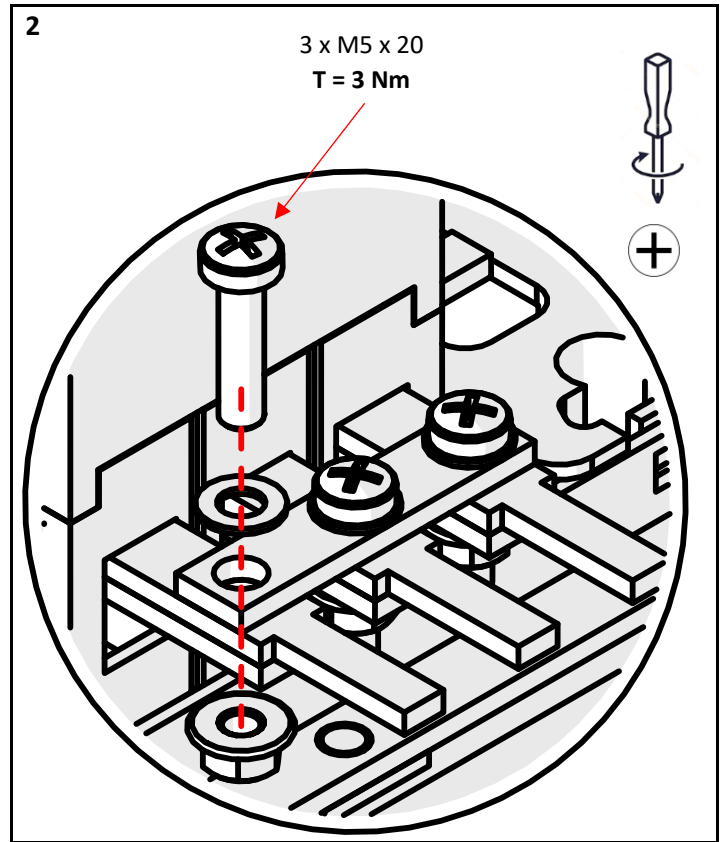
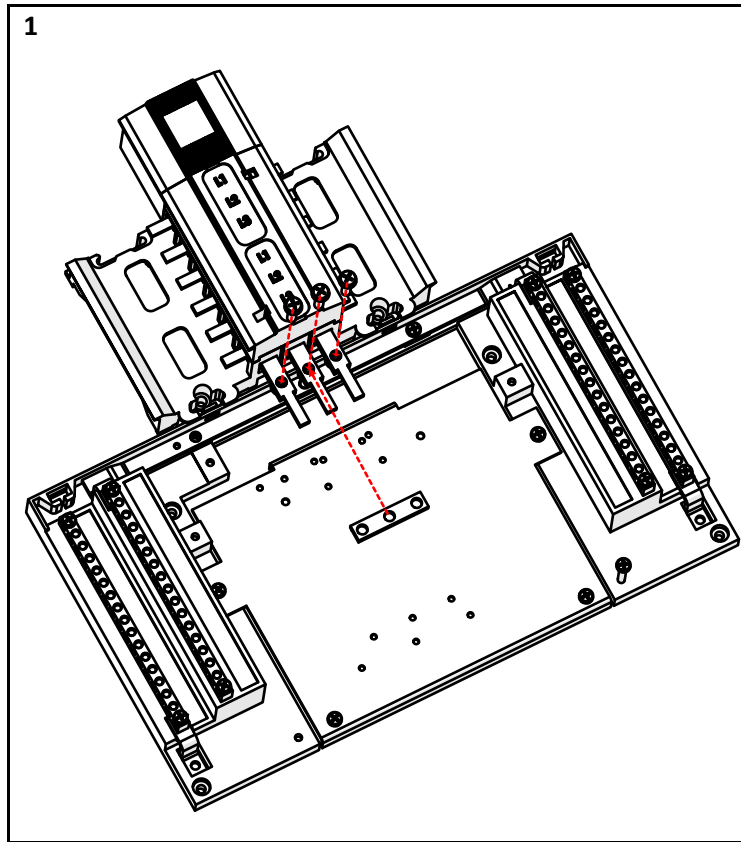


Incoming Kit - 4 pole XT3 – 250A

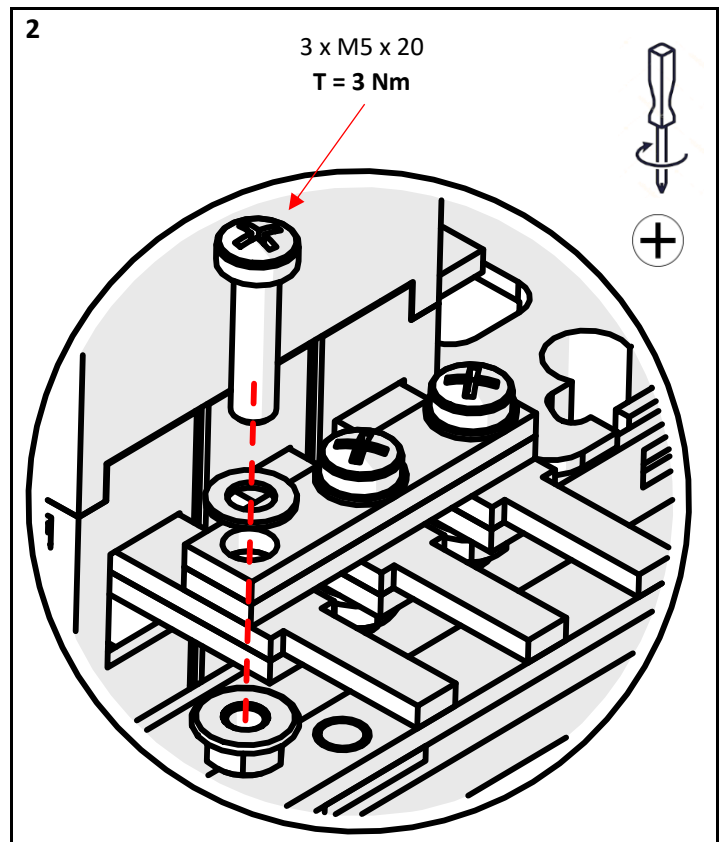
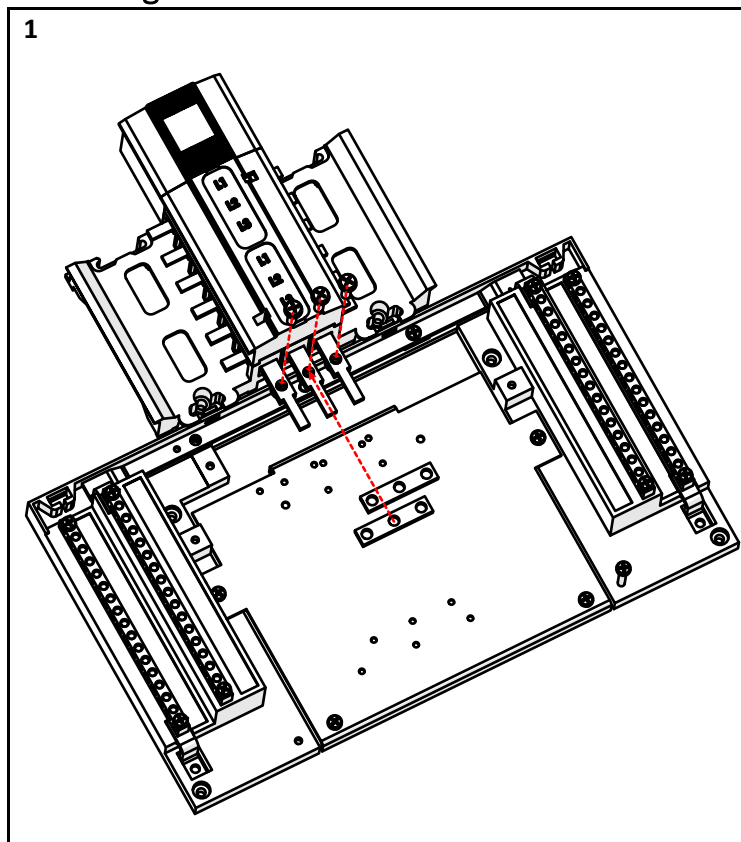




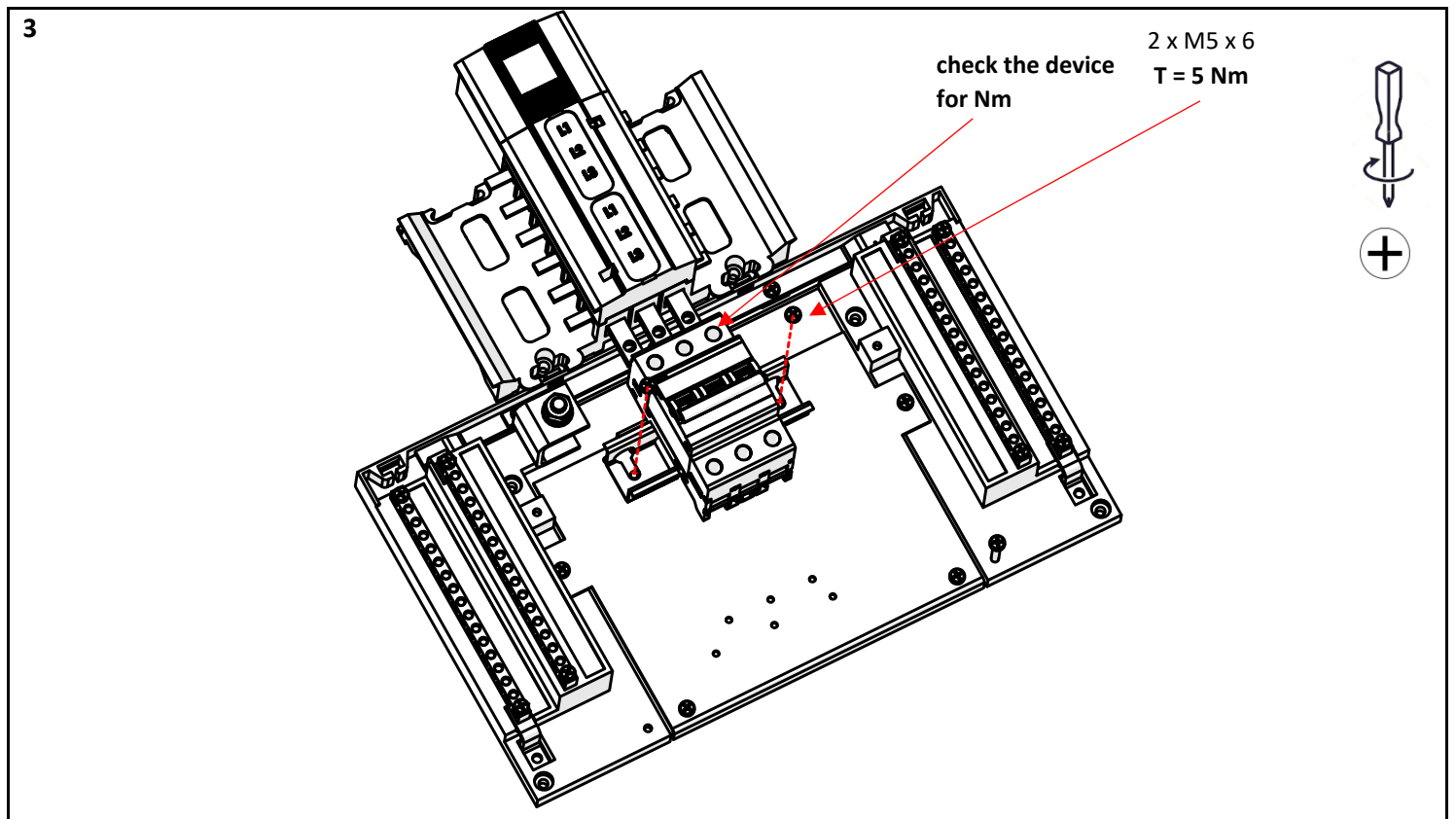
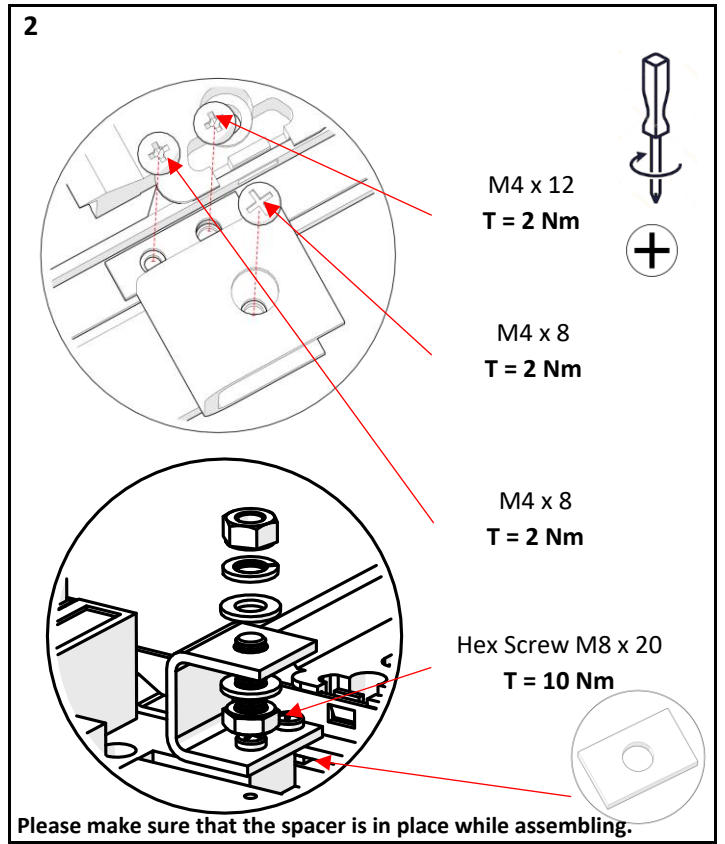
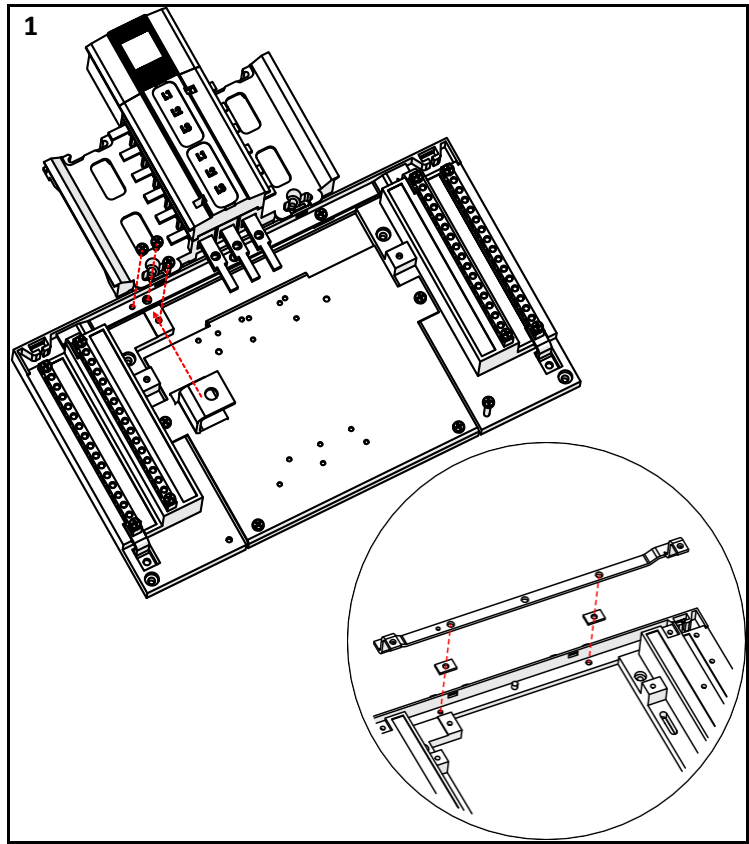
# Incoming Kit – EPP-1251P



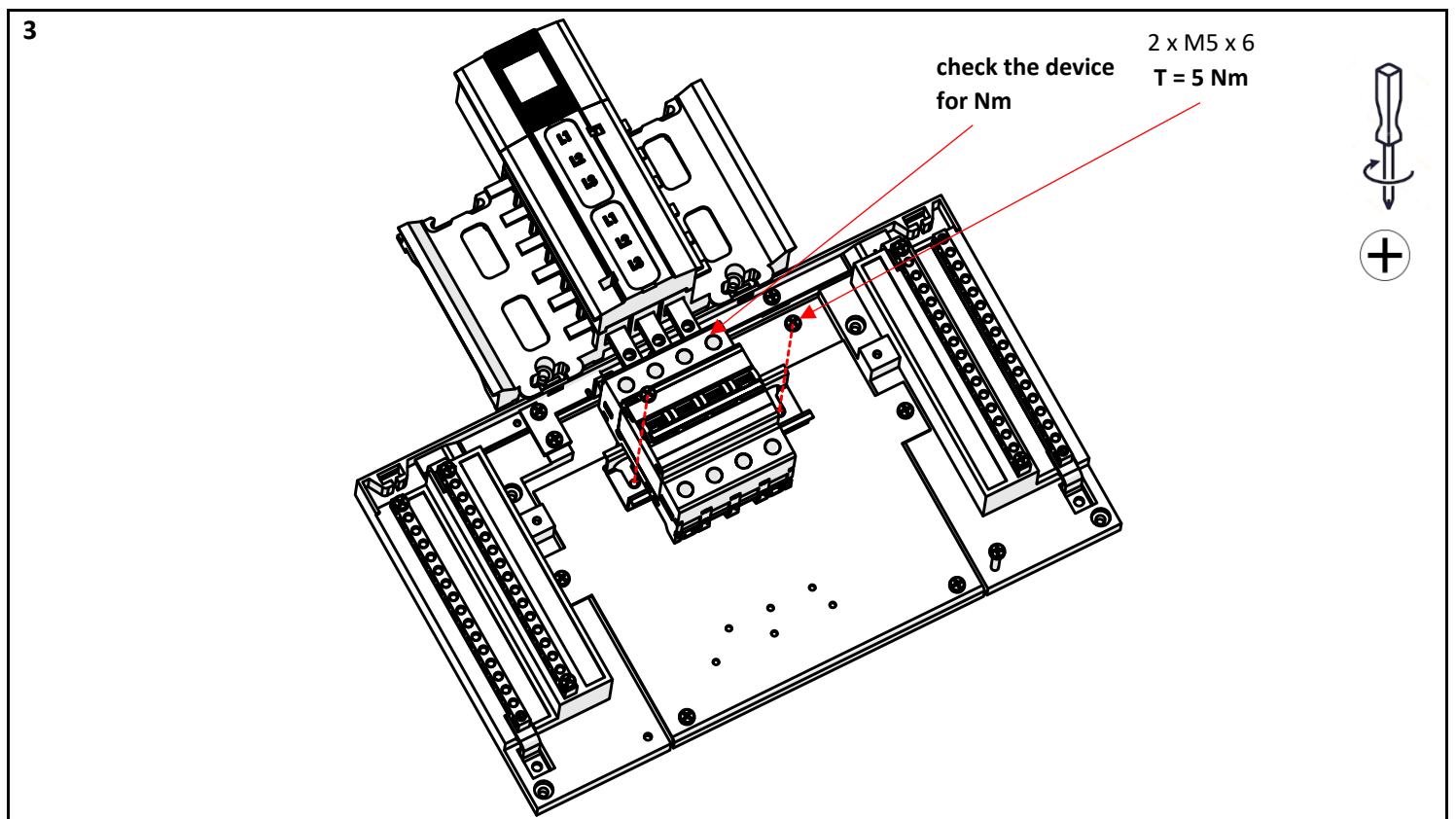
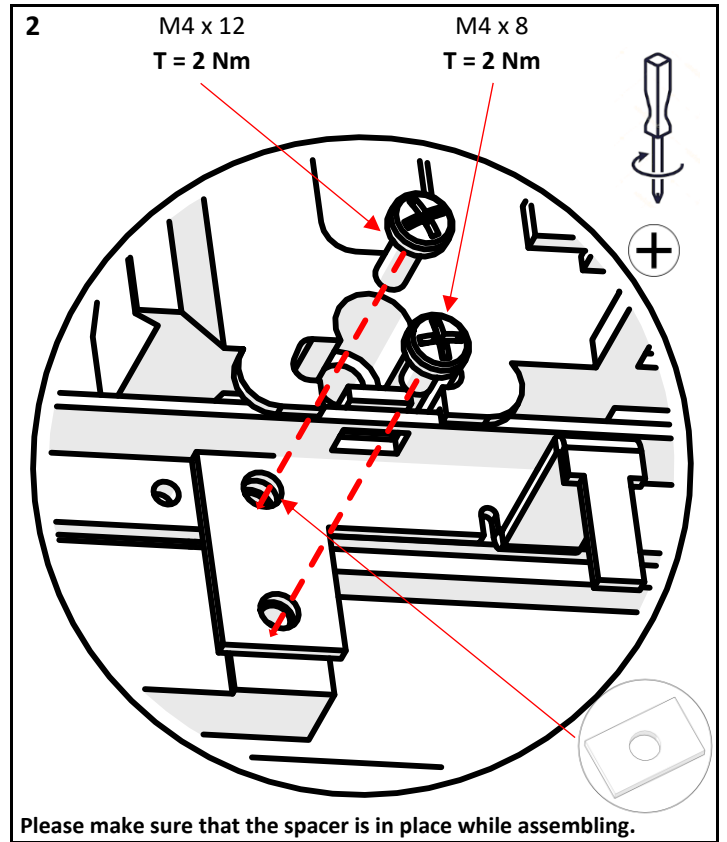
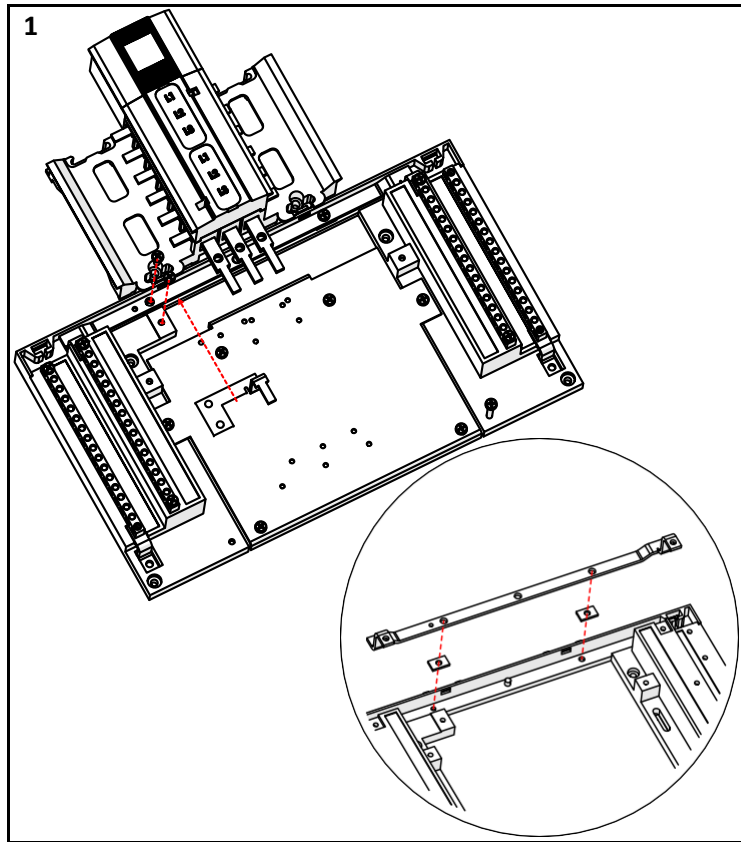
# Incoming Kit – EPP-2501P



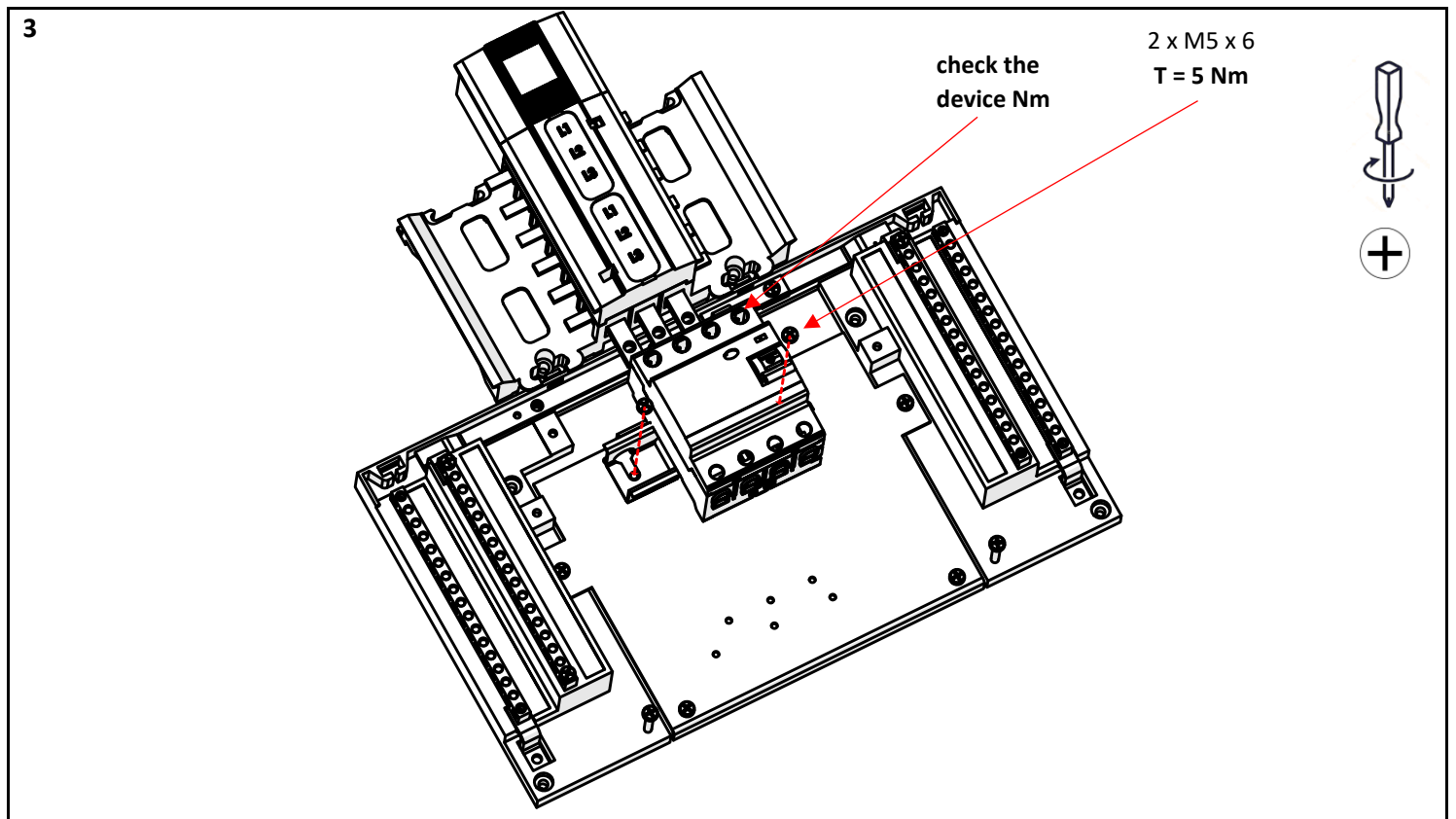
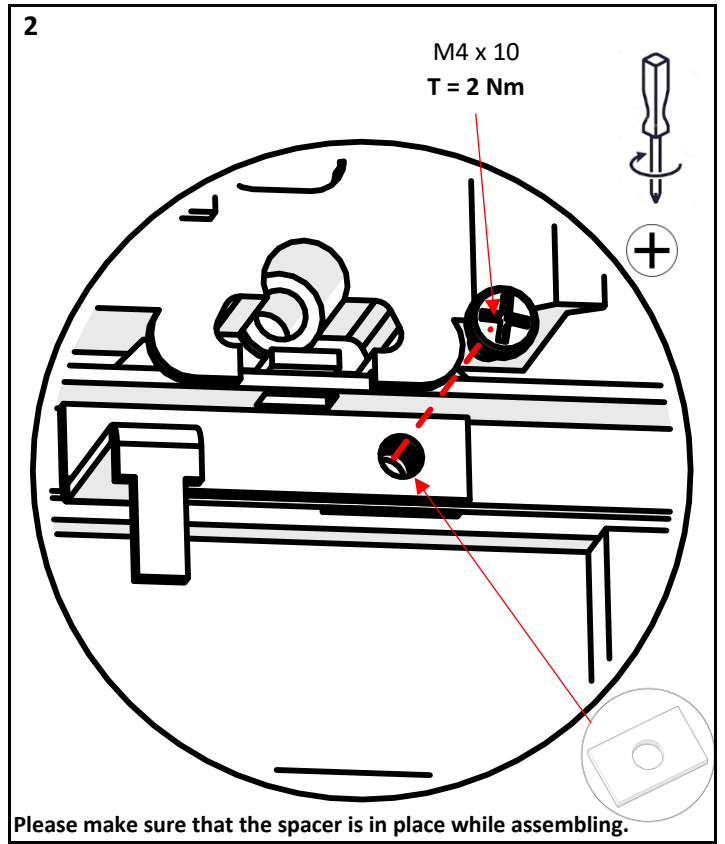
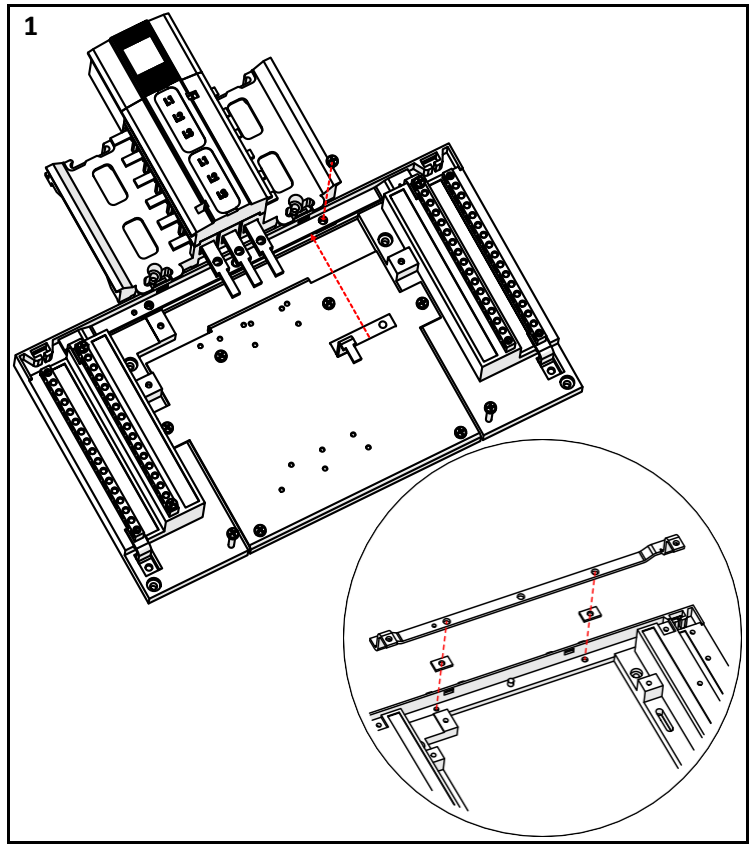
# Incoming Kit – E203 – 125A



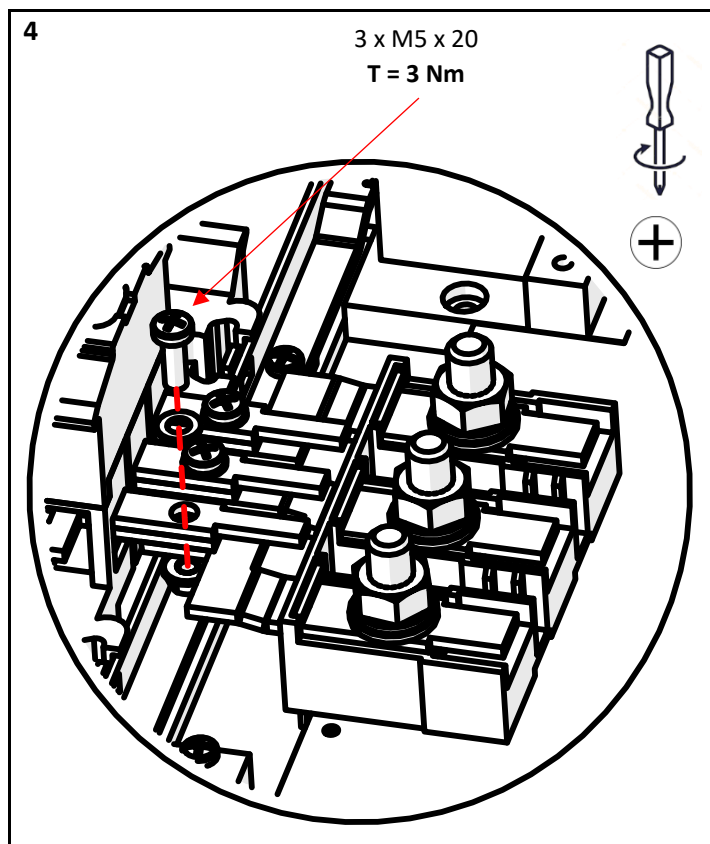
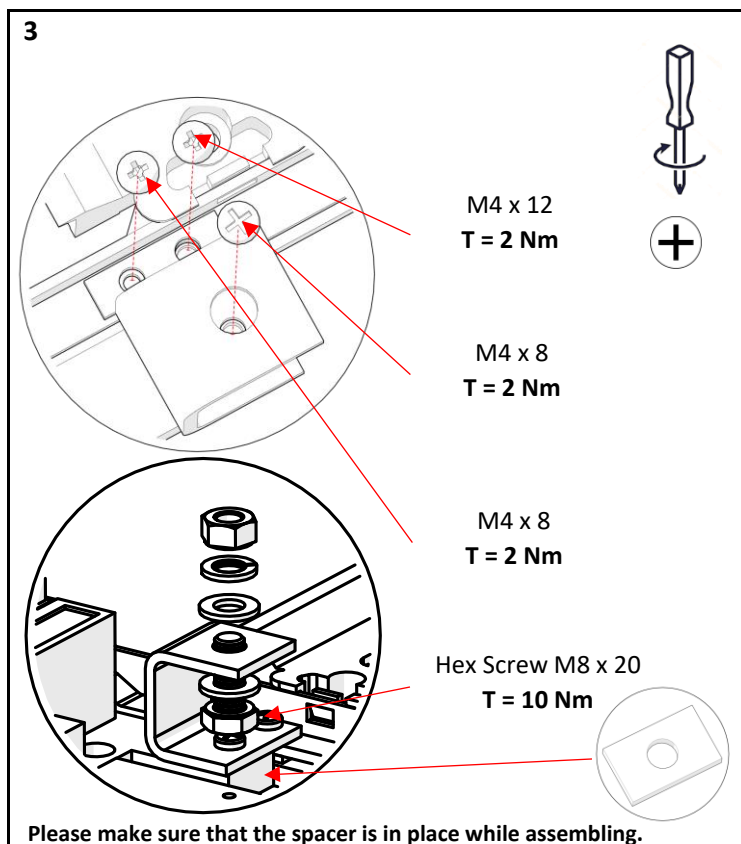
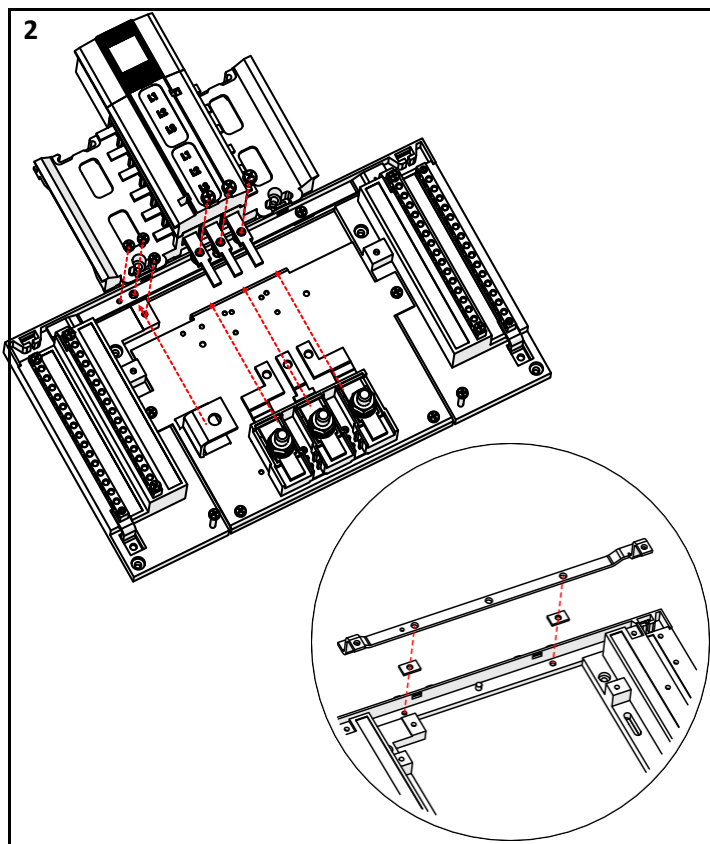
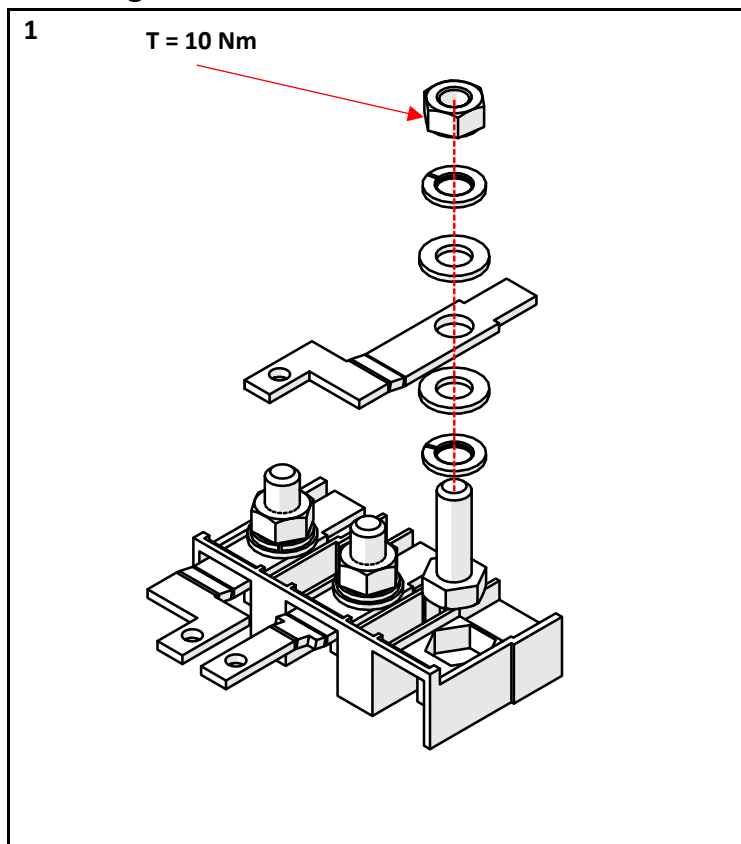
# Incoming Kit – E204 – 125A



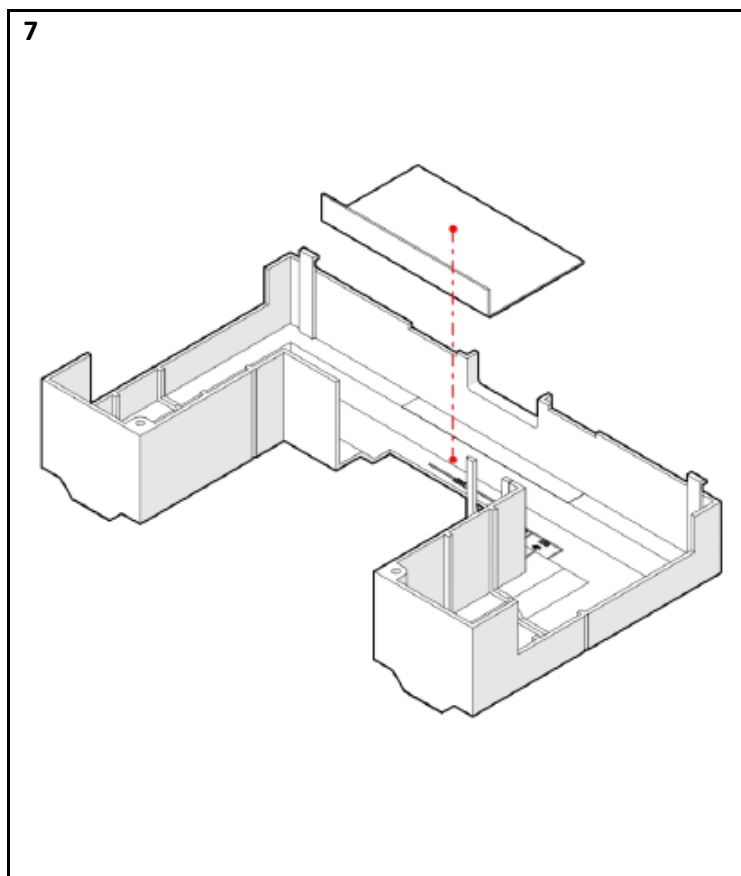
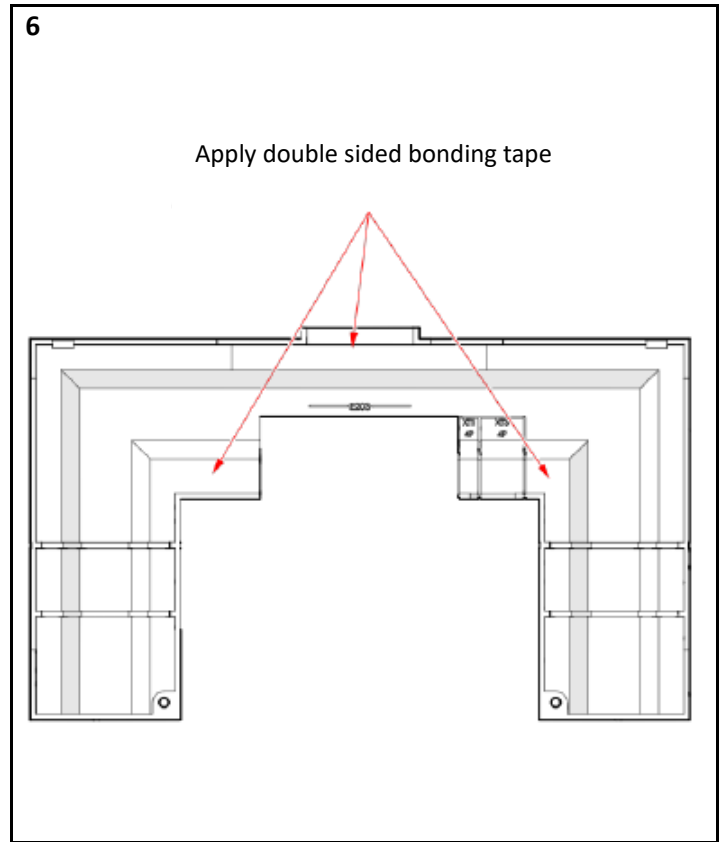
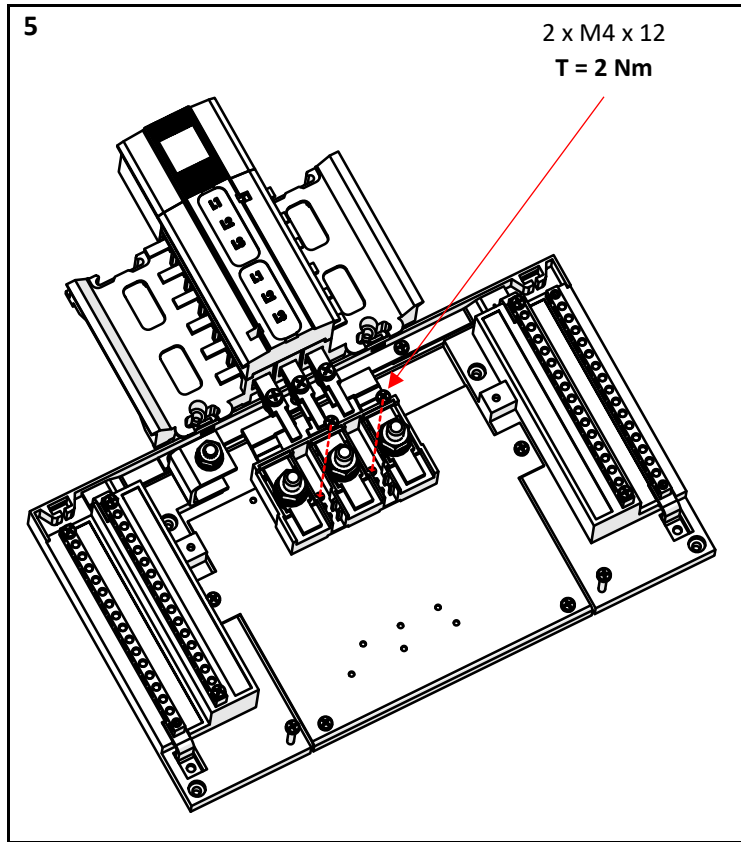
# Incoming Kit – F204 – RCD



# Incoming Kit – Direct Cable – 250A

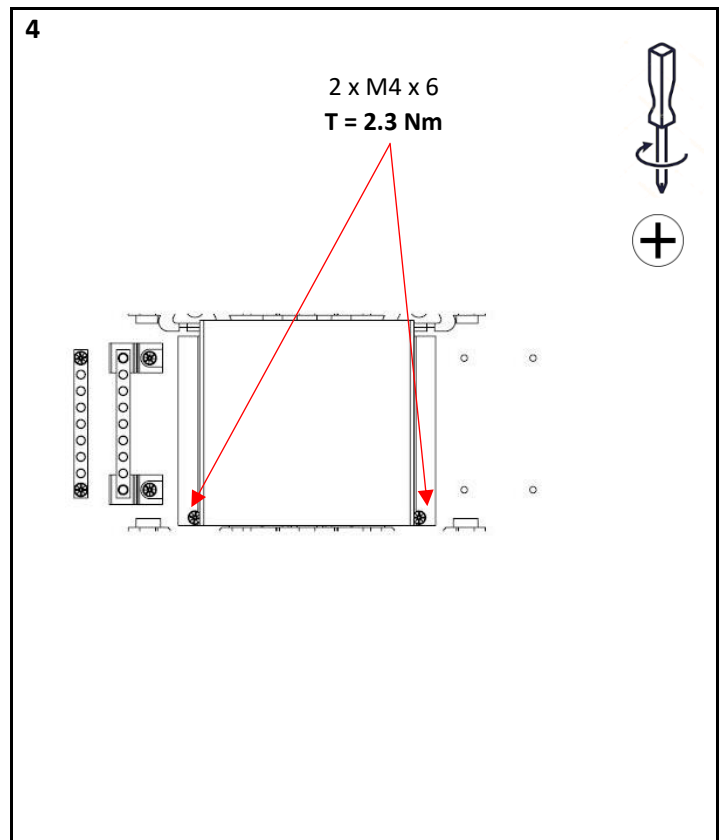
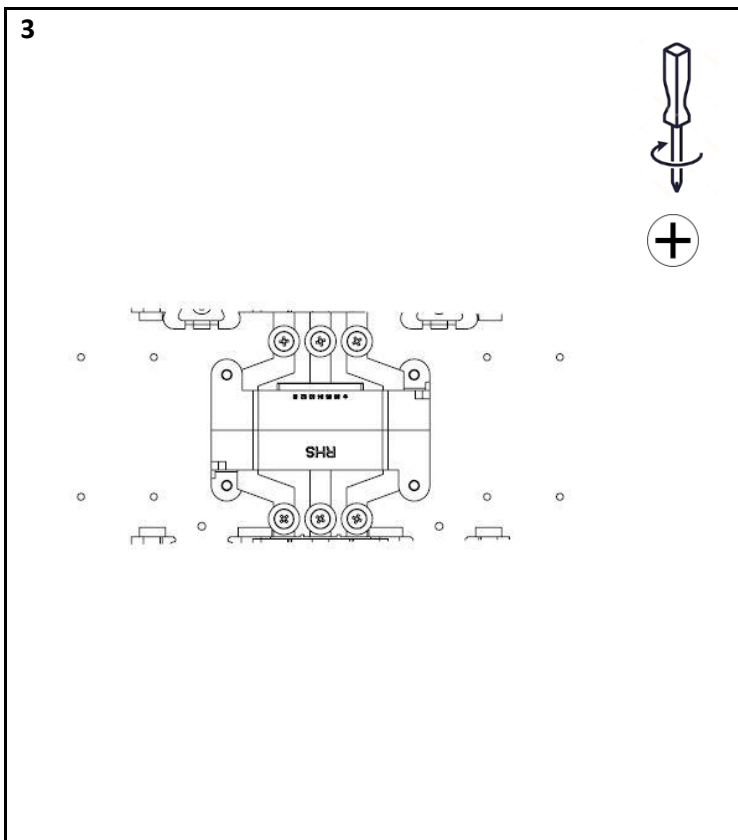
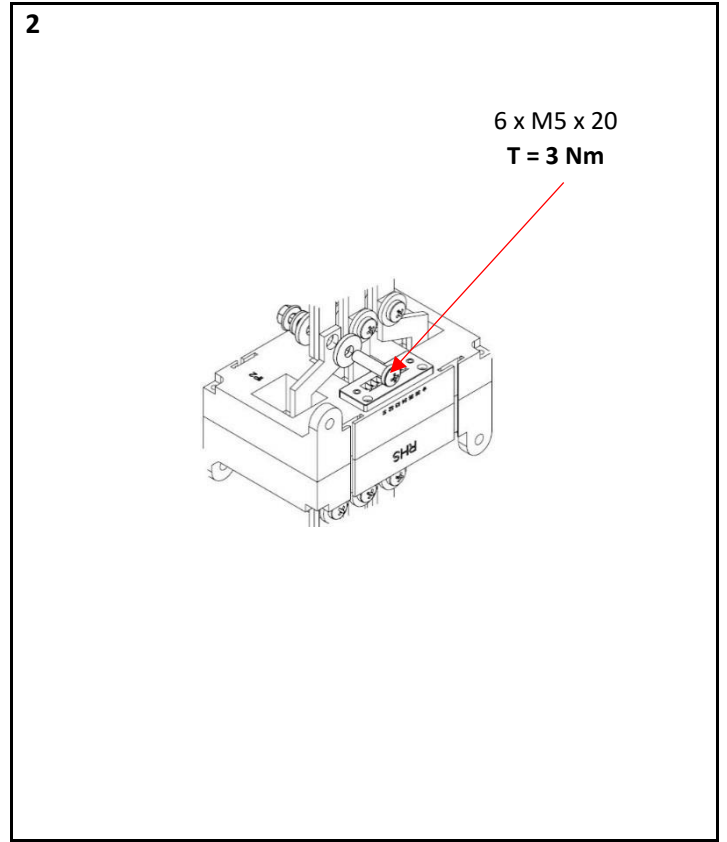
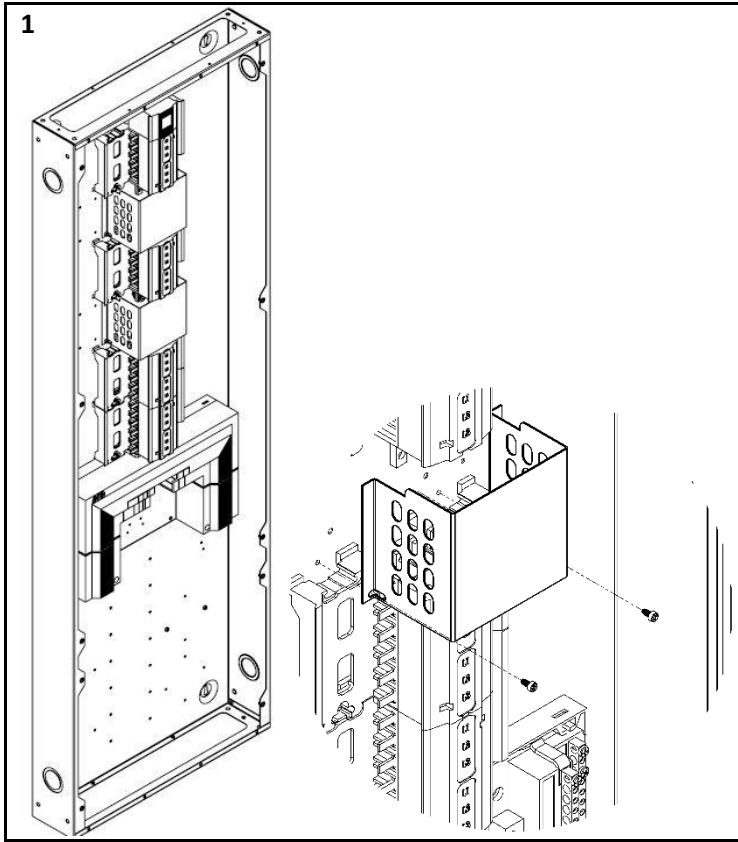


# Incoming Kit – Direct Cable – 250A

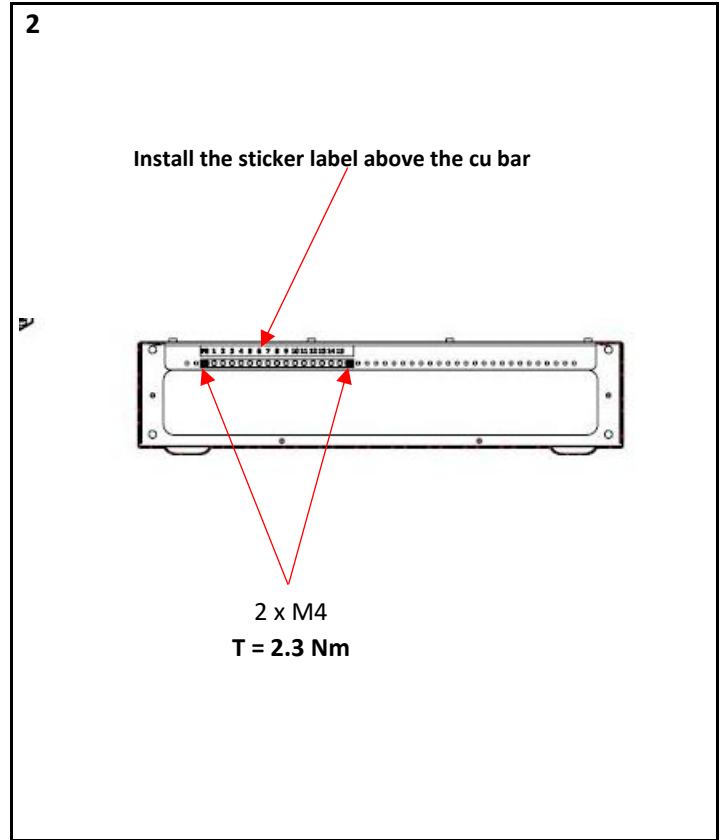
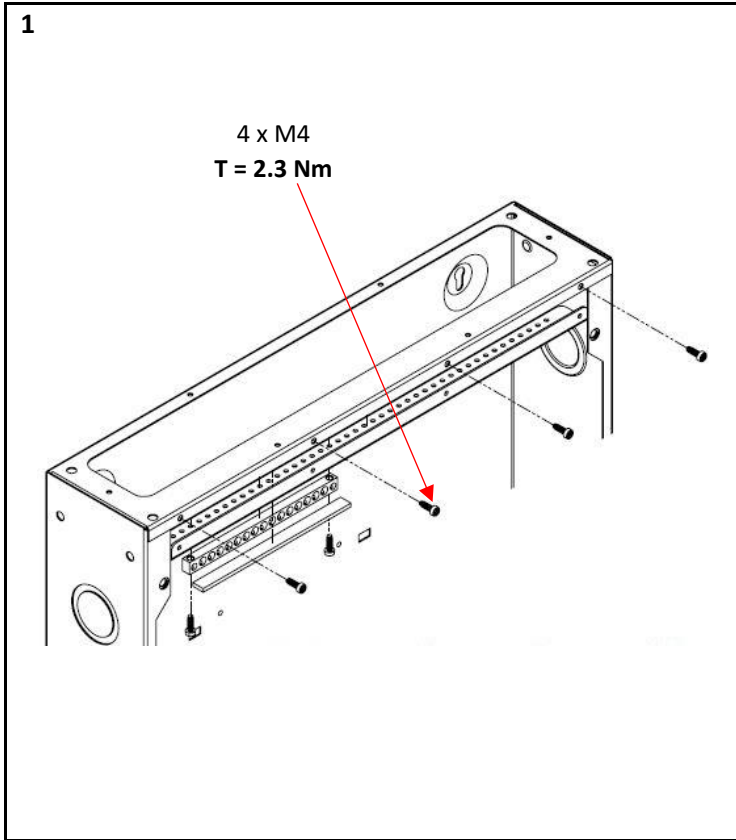




# Vertical Split DB



## Top Earth Bar Kit











Issued on 1.11.19

