

SAFETY PRODUCTS

Sense 8 Series

Magnetic Non-Contact Safety Switch

Data Sheet

Sense 8 is a magnetic non-contact safety switch used for interlocking doors and hatches.

The switch is mounted on the frame and the actuator on the moving part of the guard.

Sense 8 offers an interlocking function reaching PLe/SIL 3 with low level coding.



Easy to install

Compact size

Compact in size to make it easy to position and hide on gates and hatches.

Large sensing distance

With a large sensing distance and a high tolerance for misalignment makes it easy to install.



Continuous operation

Robust Design

High specification polyester is used for the housing and integral back plate.

No wear, no mechanical breakage

Non-contact sensing means no mechanical wear and the large sensing tolerance gives a better tolerance to vibrations, resulting in fewer unwanted process stops.



Optimum Interface

Small Design

Small footprint makes it easy to install in restricted space.

Industry Footprint

Standard industry footprint for smaller magnetic non-contact switches.

Ordering Information

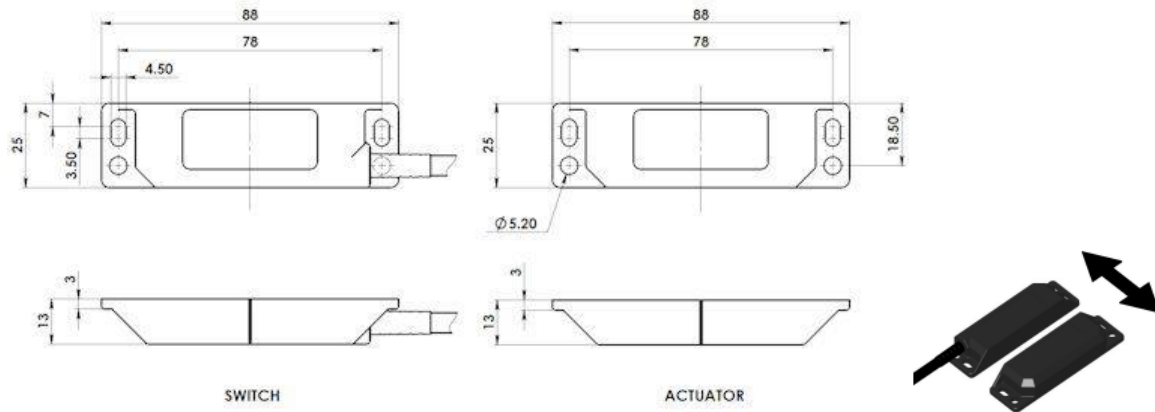
Description	Material Housing	Type	Order code
Sense 8, 2m cable, Rt, 2NC/1NO	Polyester	Sense 8	2TLA050076R4100
Sense 8, 5m cable, Rt, 2NC/1NO	Polyester	Sense 8	2TLA050076R5100
Sense 8, 10m cable, Rt, 2NC/1NO	Polyester	Sense 8	2TLA050076R6100
Sense 8, QC cable, Rt, 2NC/1NO	Polyester	Sense 8	2TLA050076R2100

Note: Quick connect M12 versions fitted with 250mm (10") cable

Accessories

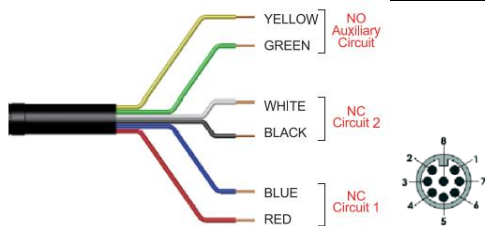
Description	Material Housing	Order code
Sense 8 Spare Actuator	Polyester	2TLA050040R0235

Dimensions (in mm)



Wiring

Quick Connect (QC) M12 8pin	Flying Lead Colors	Circuit (Actuator Present)
2	Red	NC1
3	Blue	NC1
7	Black	NC2
1	White	Safety NC2
4	Yellow	Auxiliary NO
6	Green	Auxiliary NO



Technical Data

Manufacturer	
Address	ABB Electrification Sweden AB SE-721 61 Västerås Sweden
Electrical characteristics	
Minimum switched current	10VDC 1mA
Dielectric withstand	250 VAC
Safety channel 1-NC	250VAC 1A max. rating
Safety channel 2-NC	250VAC 1A max. rating
Safety channel 3-NO	24VDC 0.2 A max. rating
Insulation resistance	100 MOhms
Fuse	Internal 1.0A (F) External 0.8 (F) (User)
General	
Recommended setting gap	5 mm
Switching Distance (target to target)	S _{ao} 8 mm close (ON) S _{ar} 22 mm open (OFF)
Tolerance to misalignment	5 mm in any direction from 5 mm setting gap
Switching frequency	1.0 Hz maximum
Approach speed	200 mm/m to 1000 mm/s
Vibration resistance	IEC 68-2-6, 10-55 Hz 1 mm
Shock resistance	IEC 68-2-27, 11 ms, 30 g
Protection class	IP67
Response Time (OFF)	<2ms
Cable Type	PVC 8 core 6 mm O.D
Ambient temperature	-25 °C to +50 °C, +80 °C for short duration during CIP/SIP cleaning
Size	88mm(length) x 25mm(width) x 14mm (height)
Material	UL approved polyester
Color	Red
Mounting Position	Any
Mounting Bolts	2 x M4 Tightening torque 1.0Nm
Safety-related characteristic data and Conformity	
Conformity	European Machinery Directive 2006/42/EC EN ISO 12100:2010, EN ISO 14119:2013, EN ISO 13849-1:2015, EN 60947-5-3:2013, EN60204-1
EN ISO 13849-1	Up to PLe Category 4 (if both channels are used with a PLe control device)
EN 62061	Up to SIL3 depending on system architecture
Coding Level according to EN ISO 14119	Low
Safety data	
B10d	3,300,000 cycles at 100mA load
Usage	8 cycles/hour 24hours/365 days per year MTTFd is 470 years
Certifications	TÜV, cULus
Information with regard to UL 508	Type 1 Enclosure Max. Temp: 80°C Maximum output 24V.dc 200mA. Powered by Class 2 or equivalent.

—
ABB Inc.
305 Gregson Drive
Cary, North Carolina 27511
United States
electrification.us.abb.com/
products/machine-motor-control

—
We reserve the right to make technical changes or modify the contents of this document without prior notice. With regard to purchase orders, the agreed particulars shall prevail. ABB AG does not accept any responsibility whatsoever for potential errors or possible lack of information in this document.

—
We reserve all rights in this document and in the subject matter and illustrations contained therein. Any reproduction, disclosure to third parties or utilization of its contents – in whole or in parts – is forbidden without prior written consent of ABB AG.
Copyright© 2022 ABB
All rights reserved