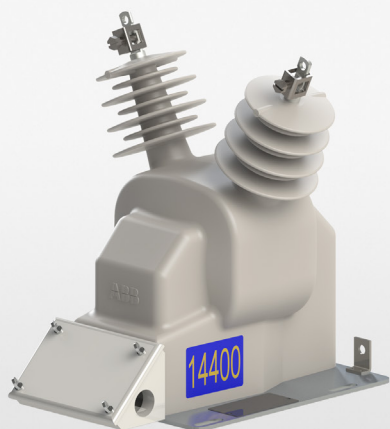


INSTRUMENT TRANSFORMERS

## VOZ-75BE and VOZ-11BE

### High accuracy outdoor voltage transformers



The VOZ-75BE and VOZ-11BE voltage transformers are designed for high accuracy outdoor metering and relaying applications.

#### Product features

- 8.7 and 15 kV, outdoor
- 75 kV and 110 kV BIL, 60 Hertz
- Electrical clearances:
  - Strike: 13.4" (340 mm)
  - Creep: 30.8" (782 mm)
- Minimum operating temperature: -50° C
- Approximate weight: 83 lbs. (38 kg)

#### Application

The VOZ-75BE and VOZ-11BE voltage transformers are designed for metering and relaying applications.

#### Industry leading performance

An enhanced creep distance provides outstanding flashover resistance and increased surface area for better heat dissipation. Encapsulated in the advanced HCEP (hydrophobic cycloaliphatic epoxy) material, these units provide unparalleled performance in outdoor applications, including wet, polluted, or coastal environments.

#### Enhanced accuracy

These units deliver enhanced accuracy over their measurement range. They meet or exceed the 0.15 IEEE accuracy class and have +/- 0.15% error from 90% - 110% of the rated voltage.

#### Terminals

The electro-tin plated copper primary line terminals accommodate #10 to 250 MCM conductors. Clamp-type secondary terminals accommodate #14 through #3 wire. A ground terminal is also provided for grounding the secondary circuit at the transformer.

#### Junction box

The junction box has a 1" conduit hub on either end and a knock out for a 1" conduit fitting on the bottom. The box is anchored to the body of the transformer with screws and can be easily detached, simplifying installation and change-out procedures.

## Baseplate

The base is constructed of corrosion-resistant aluminum and is secured to the encapsulated base support.

## Mounting

The VOZ-75BE and VOZ-11BE can be mounted in upright or cantilever positions. Stress relief devices should be used to support cable connections.

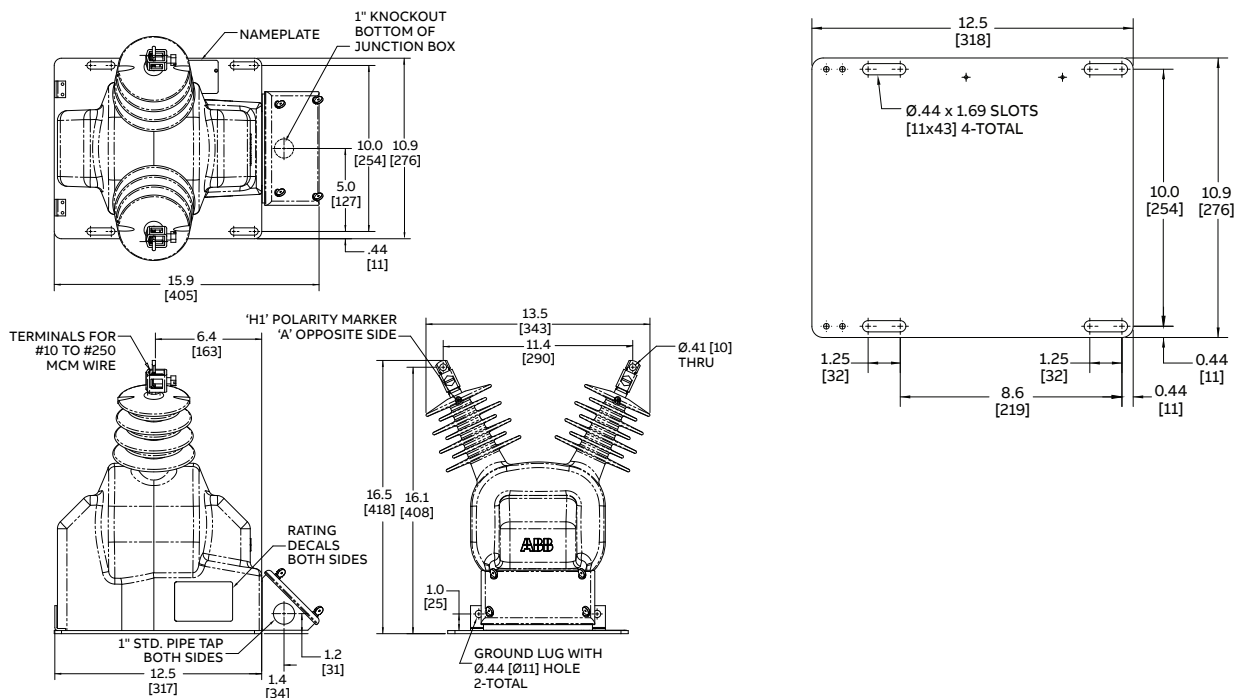
## Test reports

Test reports are stored electronically and can be e-mailed in various formats at the time of shipment.

## Standards

These units meet or exceed all requirements of IEEE C57.13-2016 and can be tested to other standards as requested.

## Dimensions (inches [mm])



## Selection guide

Primary voltage	Secondary voltage	Winding ratio	Metering accuracy	Thermal rating at 30° C	Rated voltage factor (RVF)*	Style number
<b>VOZ-75BE</b>						
2400/4160Y	120	20:1	0.15Y	1500	1.1	E-923A641G01
4200/7280Y	120	35:1	0.15Y	1500	1.1	E-923A641G02
4800/8320Y	120	40:1	0.15Y	1500	1.1	E-923A641G03
7200/7200Y	120	60:1	0.15Y	1500	1.1	E-923A641G04
<b>VOZ-11BE</b>						
7200/12470Y	120	60:1	0.15Y	1500	1.1	E-923A641G05
7620/13200Y	120	63.5:1	0.15Y	1500	1.1	E-923A641G06
8400/14560Y	120	70:1	0.15Y	1500	1.1	E-923A641G07
12000/12000Y	120	100:1	0.15Y	1500	1.1	E-923A641G08
13200/13200Y	120	110:1	0.15Y	1500	1.1	E-923A641G09
14400/14400Y	120	120:1	0.15Y	1500	1.1	E-923A641G10

\* RVF for 8 hours

Additional styles available upon request. Contact your ABB sales representative or call +1-252-827-3212 for more information.