

We reserve all rights in this document and in the information contained therein. Reproduction, use or disclosure to third parties without express authority is strictly forbidden. © ABB 19

Pos. Läge	R connects förbinder	H connects förbinder
15	13-14	2-15
14		3-15
13		4-15
12A		5-15
12		6-15
11		7-15
10A		8-15
10		9-15
9A		10-15
9		11-15
8	12-14	13-15
8A		1-15
7		2-15
7A		3-15
6		4-15
5		5-15
4		6-15
4A		7-15
3		8-15
2		9-15
2A	10-15	
1		

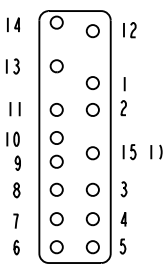
A position with letter is a through position and gives the same voltage as the normal position.

Läge med bokstav är ett genomloppsläge och ger samma spänning som normalläget.

1) Connections between the terminals 15 of the three phases are included in the star-point type.

Förbindningar mellan uttag 15 i de tre faserna ingår i nollpunktsutförandet.

Terminal board
Plint



Section A-A
Sektion A-A

On-load tap-changer type UZED., UZFD., 15 tap positions, coarse/fine switching.

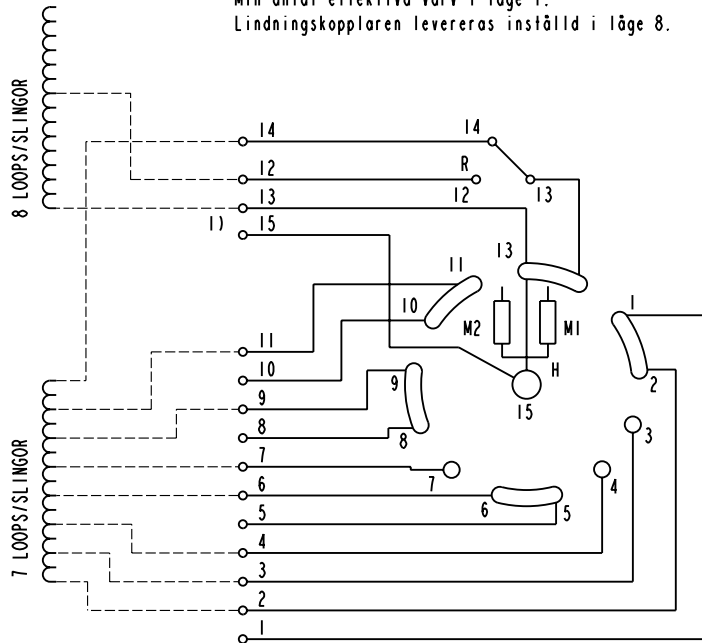
Min effective No. of turns in pos. 1.

The tap-changer is delivered set in pos. 8.

Lindningskopplare typ UZED., UZFD., 15 lägen, grov/fin-koppling.

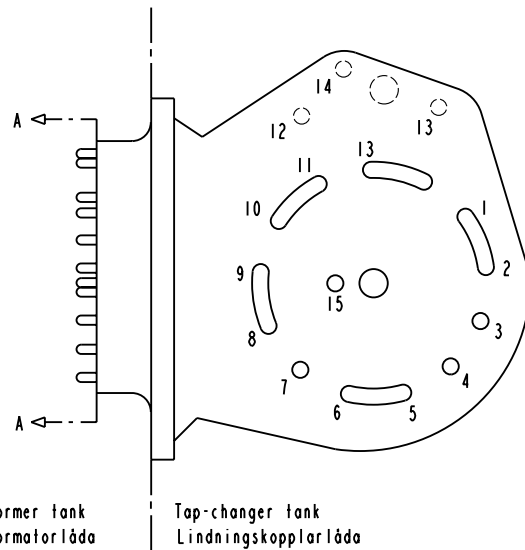
Min antal effektiva varv i läge 1.

Lindningskopplaren levereras inställd i läge 8.



The tap-changer is shown in pos. 8
Lindningskopplaren visad i läge 8

- R Change-over selector
Grov/fin-omkopplare
- H Main contact
Huvudkontakt
- MI, M2 Transition contacts
Motståndskontakter



Transformer tank
Transformatorlåda

Tap-changer tank
Lindningskopplarlåda

Sheet	Cont
	Year Week
Form No.	Dept
	Year Week
Design checked by	Rev In
	Revision
Design checked by	Appd
	Year Week
Design checked by	Accepted for prod by
	Appd
Design checked by	Year Week
	Year Week
Design checked by	Year Week
	Year Week

Rev In	Revision	Appd	Year	Week
-	-	-	-	-

Accepted for qual control R. Yngvesson	Accepted for prod by	Description (English) CONNECTION DIAGRAM	DATA ORIGINAL
Design checked by B-O. Stenestam	Drawn by L. Bergman	Description (own language) KOPPLINGSSCHEMA	File name 0398-2
Design checked by M. Hedlund	Issued by Dept Year Week COM/TKO 97 33	5492 0398-2	Lang Sheet 1
ABB Asea Brown Boveri			Rev In Cont -