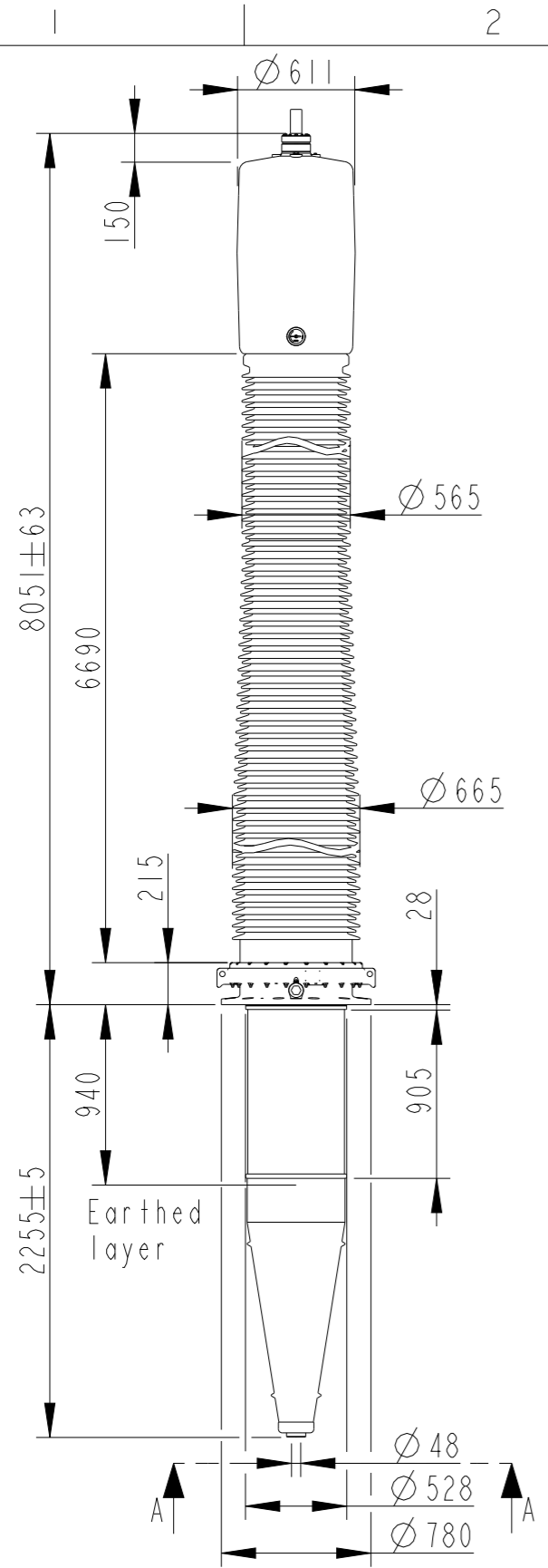


This document is issued by means of a computerized system. The digitally stored original is electronically approved. The approved document has a date entered in the "Approved"-field. A manual signature is not required.

The information contained in this document has to be kept strictly confidential. Any unauthorized use, reproduction, distribution or disclosure to third parties are strictly forbidden. ABB reserves all rights regarding Intellectual Property Rights. © Copyright 2013 ABB. All rights reserved.



### Bushing Data:

Rated Voltage	800	kV
Phase to-earth Voltage	485	kV
Dry Lightning Impulse 1,2/50µs	2550	kV
Wet Switching Impulse	1675	kV
Dry switching impulse	1760	kV
Routine test 1min dry 50Hz	1075	kV
Rated Current	2500	A
Creepage Distance	25720	mm
Mass	3560	kg

### Ordering Data:

<b>BUSHING</b>	COLOUR AIR INSULATOR		
IZSC902800-AAB	BROWN		
<b>OUTER TERMINAL</b>	Max. Rated H2	D2	
	Current (A) (mm)	(mm)	
LF170 073-A	Al 2500 125	60	
LF170 073-B	Cu 4000 125	60	
LF170 073-G	Cu/Ag 4000 125	60	
LF170 073-L	Cu/Sn 4000 125	60	
LF170 073-BA	Cu/Ag 3000 125	2"-12UN	
LF170 073-AA	Cu 5000 125	96	

### END-SHIELD

LF170 046-X	EPOXY INSULATED
LF170 046-XP	INSULATED WITH 6 mm PRESSBOARD

### DRAW ROD SYSTEM

LF170 059	LOWER DRAW ROD WITH NI=4 OR NI=6
LF170 057	UPPER DRAW ROD

### INNER TERMINAL

	D3	D9	Cond.area	Current (A)	
	(mm)	(mm)	(mm <sup>2</sup> )	IEC	IEEE
LF170 056-E	0 *	45	-	-	-
LF170 056-D	40	45	600	1600	1360

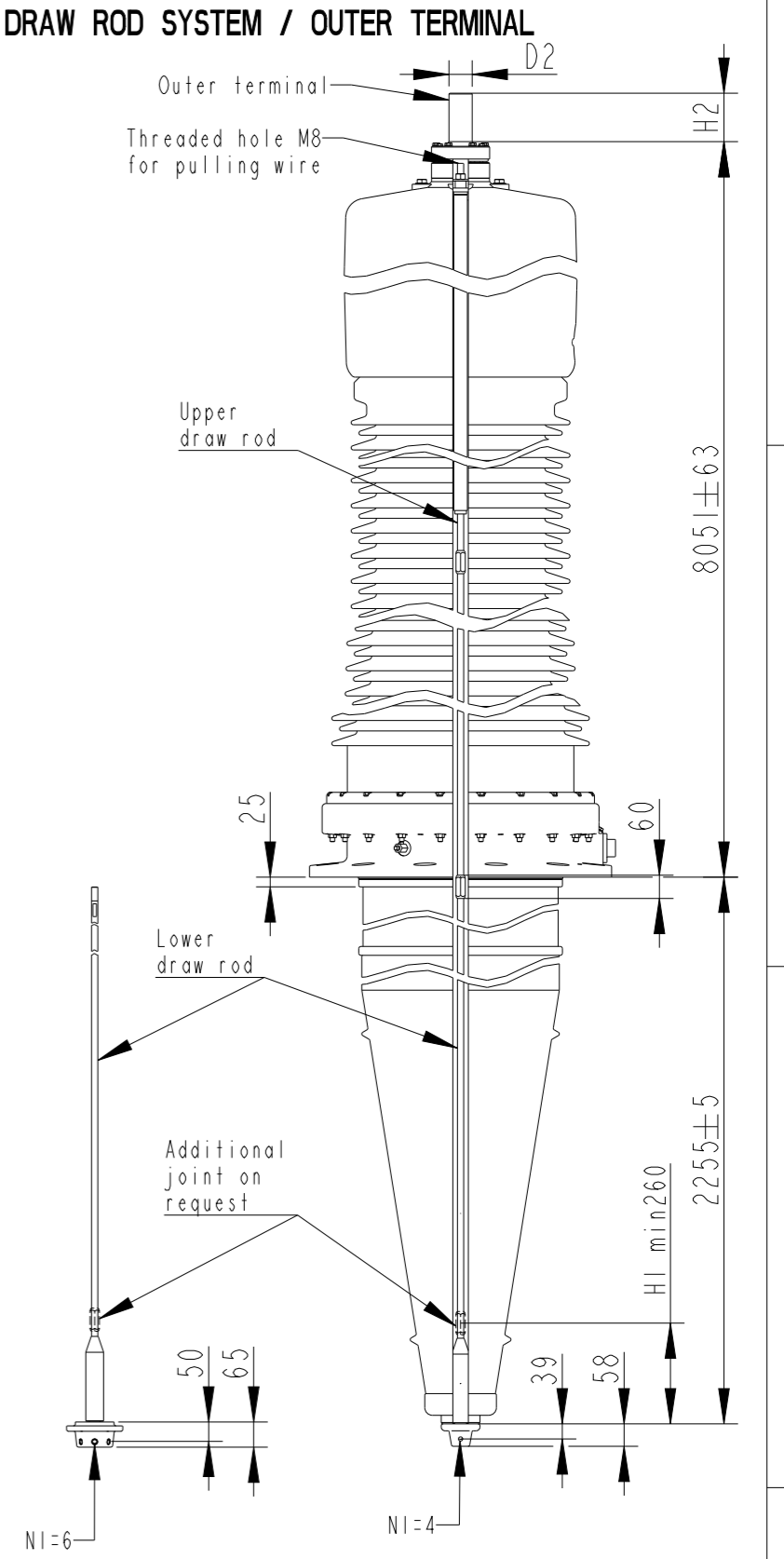
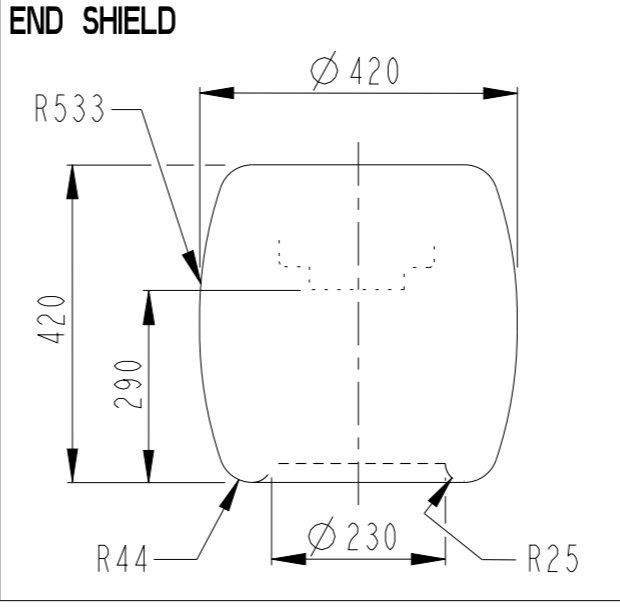
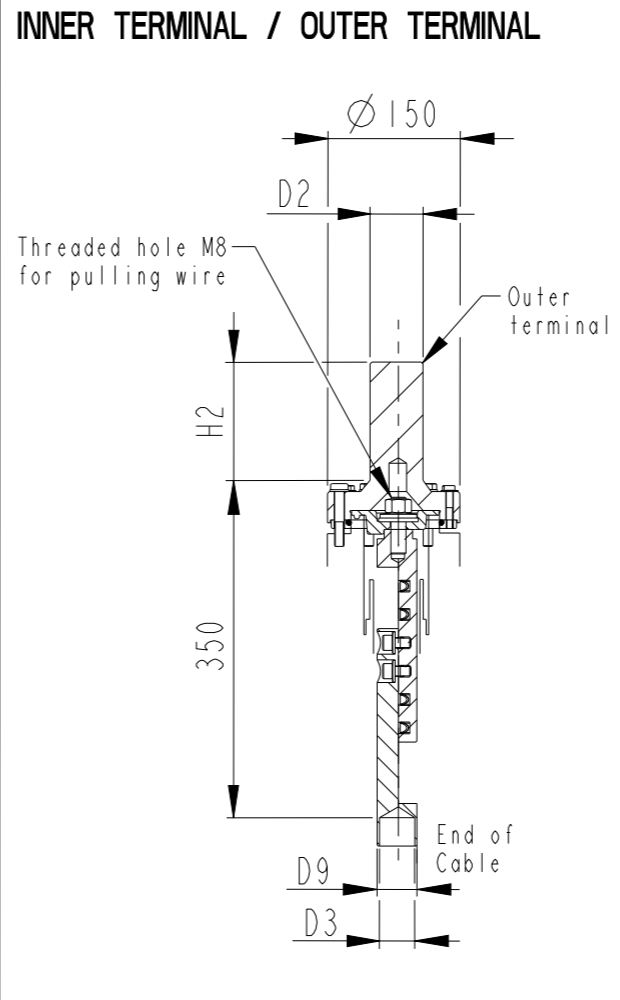
\* ) WITH PILOT HOLE D=5

$\tan\delta \leq 0.4\%$

Max. test load lmin 12200 N

Max. permissible load in operation at mounting angel

0°	6100 N
30°	2900 N



NI=Number of holes M12, equipped with thread insert with screw lock, depth 20, for cable lugs.

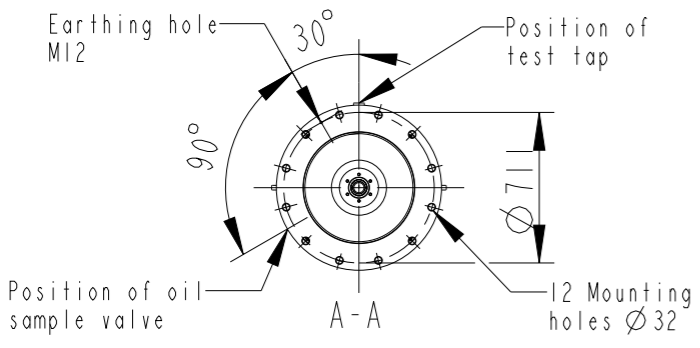


ABB		Ludvika, Sweden	
No.	Um/Uy	kV Ir	A 50/60 Hz
BIL	kV SIL	kV AC	kV
M	kg L	mm	°
C1	pF	Tan δ	x
C2	pF	Tan δ	x

Prepared	Oscar Andersson	2017-08-16	Responsible department	PGCO/BK	Title		
Modified by	Oscar Andersson	2017-08-18	Take over department		GOE 2550-1675-2500-0.9		
Approved by	Natalia Gutman	2017-08-18	Used in product		GOE 2550-1675-2500-0.9	Language	82
Revision	G	Phase to-earth Voltage was 462	Order			Sheet no.	
Document no. 2751369-328						No. Shrs.	(1)

