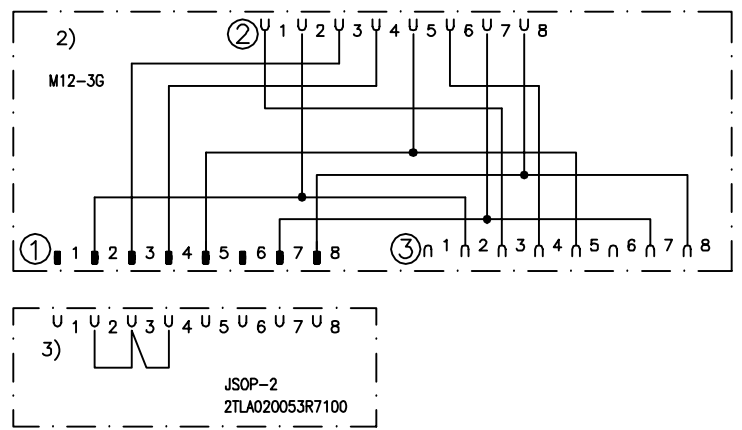
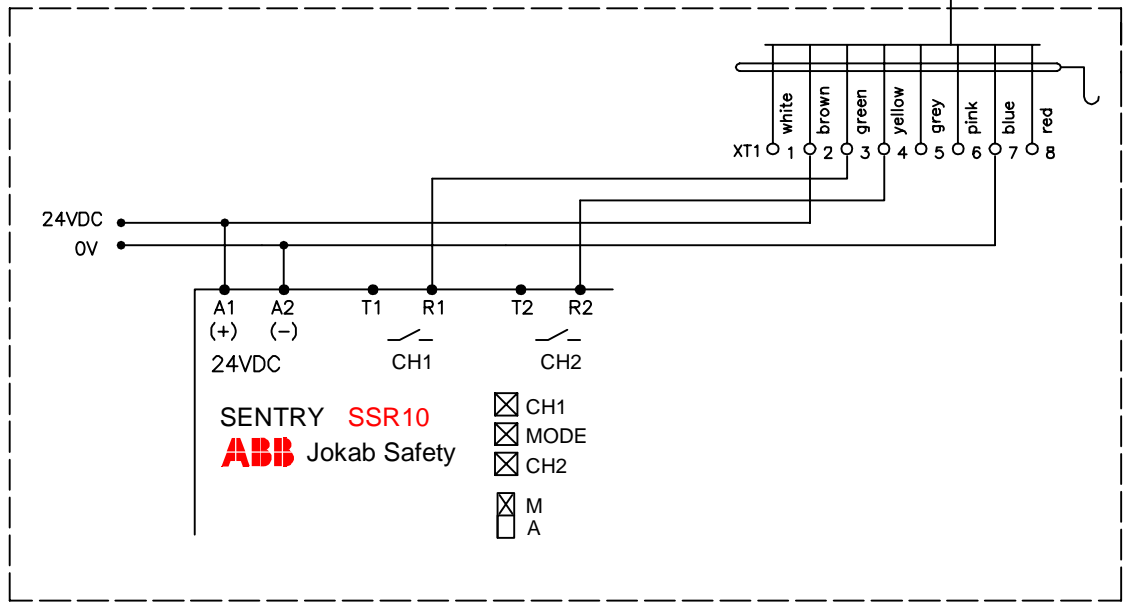


Cable (e): M12-8 male + female
 Cable (f): C8 (cable) + M12-C04 (contact)



Anmärkning Remark

Connection ex. SSR10 Eden OSSD 8-pol, M12-3G Serie



Konstr Design HHg	Godk Appr	Datum Date 2017-09--21	Blad Sheet
Ritad Drawn HHg	Sidor Pages	Ritn nr Drawing no 2TLC172329D0201	Forts Cont