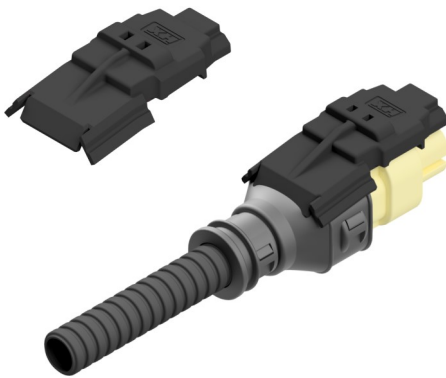


TECHNICAL DATA SHEET

## Connector Shield

### Protective cover for AMPSEAL 16 CPA mechanism

**Harnessflex**  
SPECIALIST CONDUIT SYSTEMS



The Harnessflex® Connector Shield provides a high level of protection against the ingress of solids and liquids into the AMPSEAL 16 connector CPA mechanism, helping to maintain continuous vehicle operation in the toughest conditions.

The universal design will fit securely to the CPA mechanism of the complete range of AMPSEAL 16 connectors when used with Harnessflex AT (AMPSEAL 16) backshells.

#### Features & Benefits:

- Single piece covering to fit all AMPSEAL 16 connectors
- Secure push fit fastening mechanism (Patent pending)
- Maintains free operation of the CPA mechanism
- Provides continuation of protection between connector and backshell
- Provides ingress protection against solids and liquids
- Protects CPA mechanism against painting processes
- Suitable for retrofit / aftermarket



#### Applications:

- Construction vehicles
- Agricultural machinery
- Trucks
- Heavy duty and special purpose vehicles

#### Material:

- TPV (Thermoplastic Vulcanisate)
- UV resistant
- Heat stabilized

#### Conformity:

- CE Mark to the low voltage directive 2014/35/EU
- RoHS Compliant to 2015/863/EU
- Conforms with end of life vehicle directive (ELV) EU200/53/EC

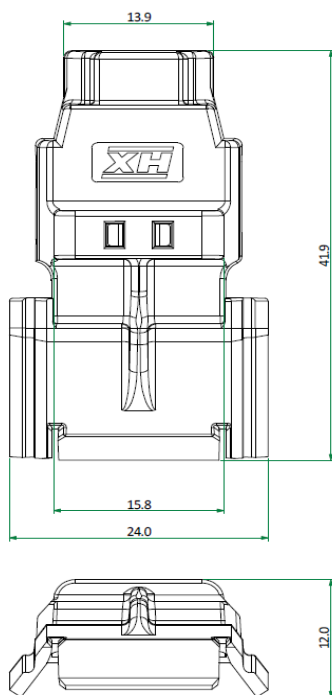
#### Temperature range:

- Normal use -60 to +150 °C

#### Chemical resistance:

- Please refer to [TDS000081](#)

## AMPSEAL 16 Connector CPA Shield : Dimensions and Compatibility



CPA Shield Part no.	Connector Reference	Connector Arrangement	Connector Interface	X-Temp Connector Interface
ATUPL	776427- *	2 way	CI06-AT2PL	-
			CI08-AT2PL	CIH08-AT2PL
			CI08-90-AT2PL	CIH08-90-AT2PL
			CI12-90-AT2PL	CIH12-90-AT2PL
ATUPL	776429- *	3 way	CI08-AT3PL	CIH08-AT3PL
			CI08-90-AT3PL	CIH08-90-AT3PL
			CI12-90-AT3PL	CIH12-90-AT3PL
ATUPL	776487- *	4 way	CI08-AT4PL	CIH08-AT4PL
			CI12-AT4PL	CIH12-AT4PL
			CI08-90-AT4PL	CIH08-90-AT4PL
			CI12-90-AT4PL	CIH12-90-AT4PL
ATUPL	776433- *	6 way	CI08-AT6PL	-
			CI12-AT6PL	CIH12-AT6PL
ATUPL	776495- *	8 way	CI12-AT8PL	CIH12-AT8PL
			CI16-AT8PL	CIH16-AT8PL
			CI16-90-AT8PL	-
ATUPL	776437- *	12 way	CI12-AT12PL	CIH12-AT12PL
			CI16-AT12PL	CIH16-AT12PL
			CI20-AT12PL	-

\* All colour variants

### Ampseal 16 Connector Interfaces:

[https://new.abb.com/low-voltage/products/conduit-fittings/harnessflex/range/connector-interfaces/ampseal-16-interface-\(new\)](https://new.abb.com/low-voltage/products/conduit-fittings/harnessflex/range/connector-interfaces/ampseal-16-interface-(new))

ABB UK Ltd  
CMG House, Station Road,  
Coleshill, Birmingham

B46 1HT  
Email: cmg.conduitsystems@abb.com

<https://new.abb.com/low-voltage/products/conduit-fittings/harnessflex/range/accessories>

We reserve the right to make technical changes or modify the contents of this document without prior notice. With regard to purchase orders, the agreed particulars shall prevail. ABB does not accept any responsibility whatsoever for potential errors or possible lack of information in this document.

We reserve all rights in this document and in the subject matter and illustrations contained therein. Any reproduction, disclosure to third parties or utilisation of its contents, in whole or in parts, is forbidden without prior written consent of ABB. Copyright© 2022 ABB.

All rights reserved.