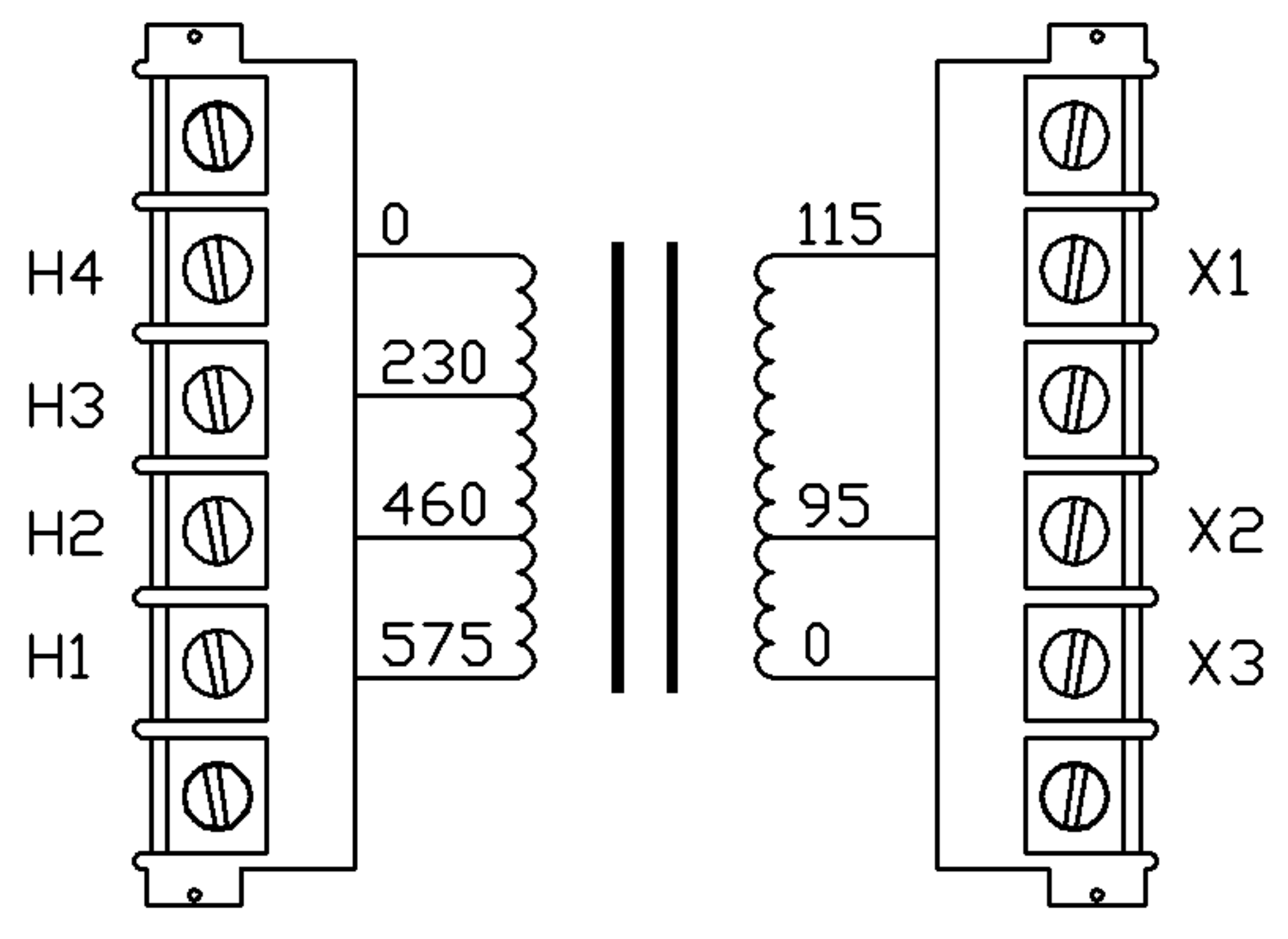
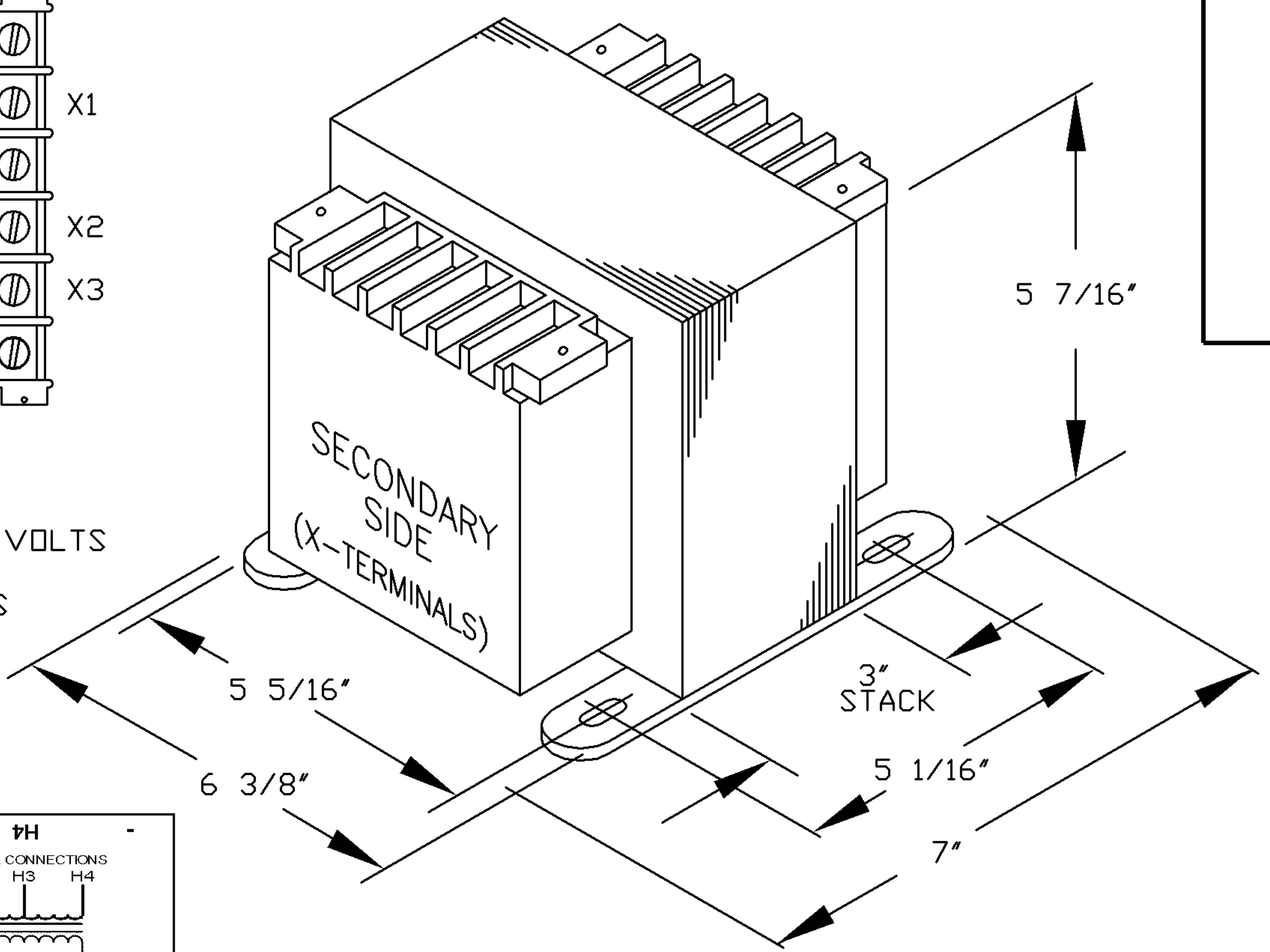


B-6P-6S

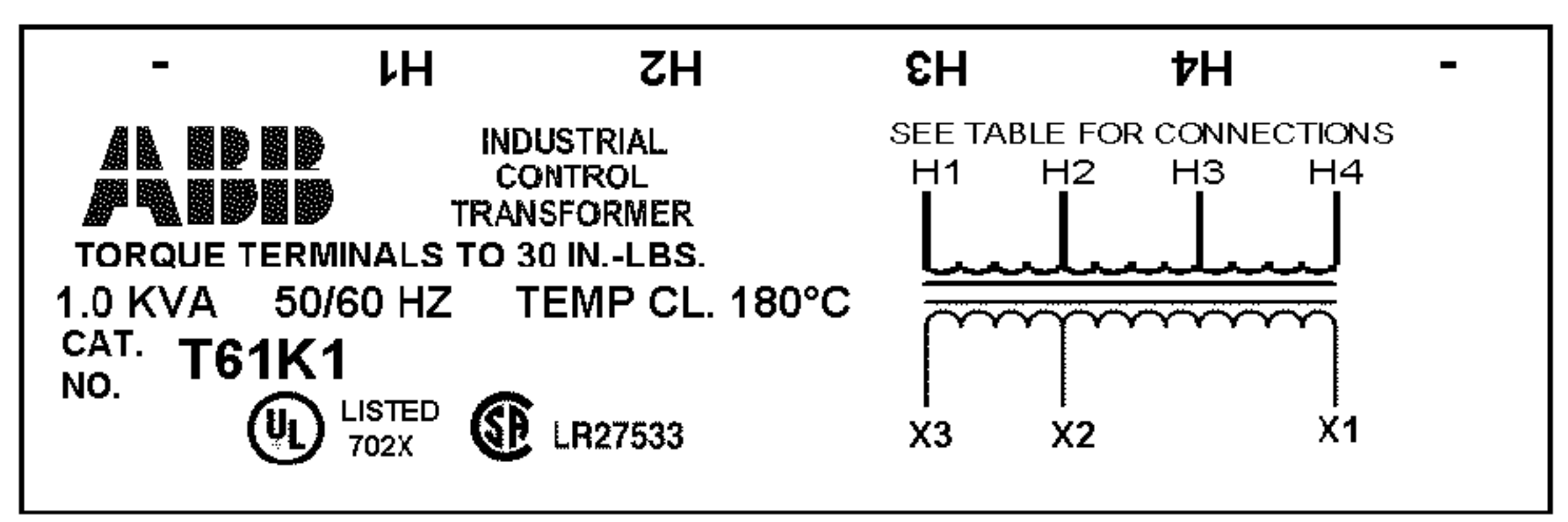


CONNECTION DIAGRAM

RATING: 1000VA 50/60HZ  
 PRI. 230/460/575 VOLTS  
 TRIPLE RATED  
 SEC. 95/115 VOLTS  
 TEMP.CLASS 180



LABEL 1



LABEL 2

INPUT VOLTAGE			OUTPUT VOLTAGE	
H4-H3	H4-H2	H4-H1	X3-X1	X3-X2
220	440	550	110	90
230	460	575	115	95
240	480	600	120	100
-	X3	X2	-	X1

Assembly instructions: \_\_\_\_\_

TO BE INDIVIDUALLY BOXED.

b  
 a APPLY LABELS PER 361-0014

ASSEMBLY Instructions

- 8
- 7
- 6
- 5
- 4
- 3
- 2

TREATMENT:  
 IMPERV     VALU     ECON     GLOBAL  
 VACUUM IMPREGNANT, TYPE \_\_\_\_\_  
 OTHER \_\_\_\_\_

1 BASE MODEL/COIL, 619-0078/419-0078  
 IT ITEM DESCRIPTION

See BILL OF MATERIAL for ITEM Quantity and Part Number



DATE 09/12/05    DRAWN RN    CHECKED    APPROVED  
 RELEASE DATE

REVISIONS	BY	DATE
DRAWING UPDATED	J.V	7/31/13
DESIGN REVISED	J.V	3/14/07
NEW	RN	09/12/05

1TQY200060X0010  
 SIZE A    SCALE NONE  
**T61K1**

ENG. #B303/66 FINAL ASSEMBLY