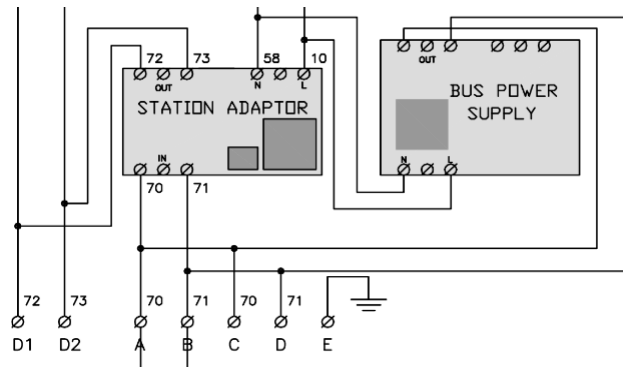


PRODUCT SPECIFICATION

EMEX Test – MXKP Interface Kit

ELD9500.910

ELD9500.910R – (For Replacements)



The MXKP station adaptor kit is required to integrate the EMEX Power static inverter with the EMEX Test system. It is ordered separately, the MXKP station adaptor kit is fitted in the inverter cabinet.

Luminaire Capacity	4000 Luminaires Maximum
Max MXKP	255 MXKP Maximum Per System
Output Capacity	100 Substations Maximum Per MXKP (MXC And / Or MXD)
Data Cable	2-Core Data Bus To MXD & MXD Units & To / From MXKP Units.
	2-Core Screened 240V (1.0mm ² Minimum) Dara Cable
	Max. Distance 2500 Meters (Additional Repeaters Available)
Warning	Please Note This Unit Must Be Electrically Earthed

The content of this ABB document has been checked carefully for accuracy at the time of print. However, ABB does not give any warranty of any kind, expressed or implied in this respect and shall not be liable for any loss or damage that may result from any use or as a consequence of any inaccuracies in or any omissions from the information which it may contain. We reserve the right to modify, update products as part of our policy of continuous product development. E&OE

EMERGI-LITE	DOCUMENT ID.	DATE.	PAGE
	Spec_2020.03_ELD9500.910	MAR 20	1/1