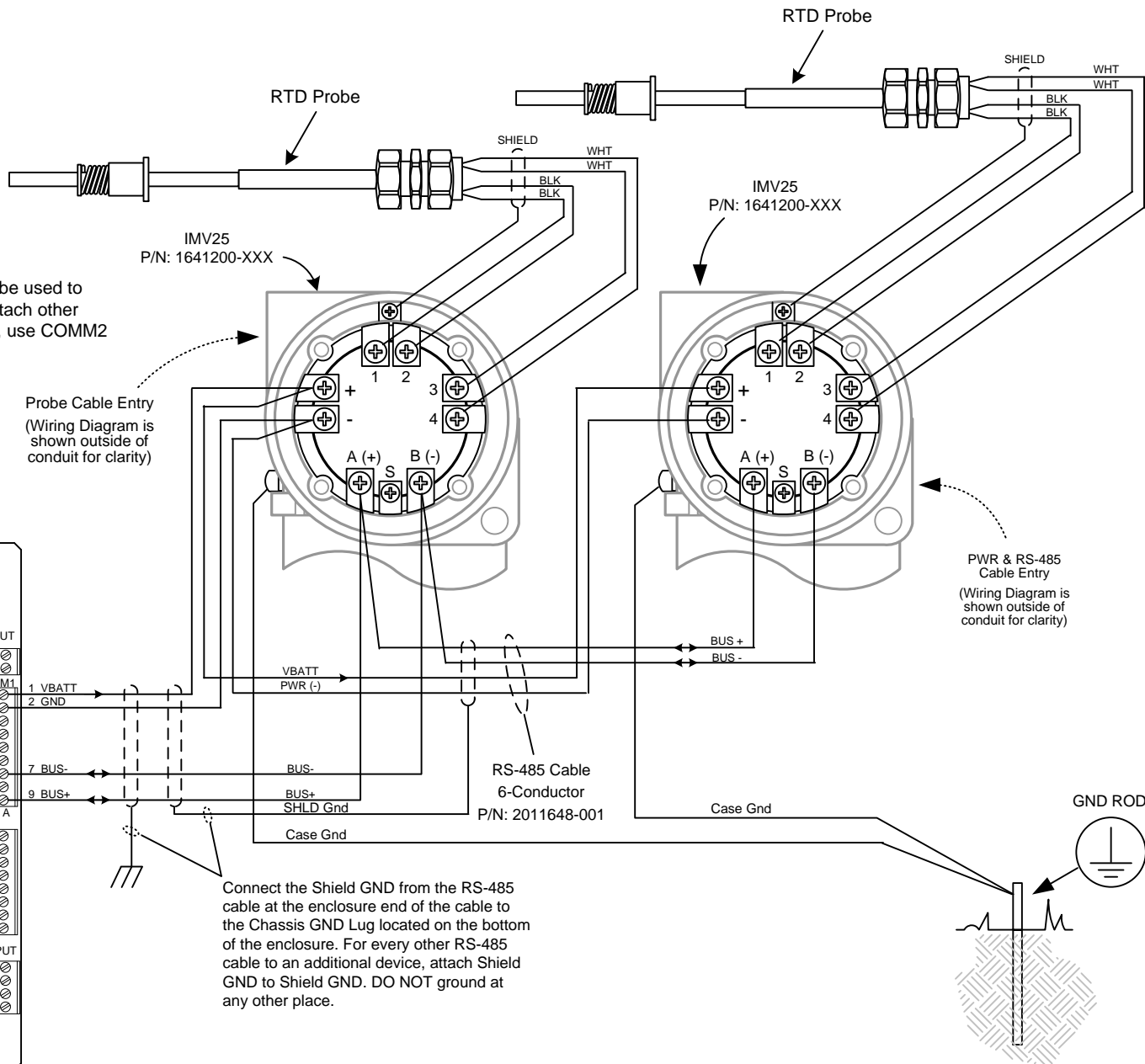
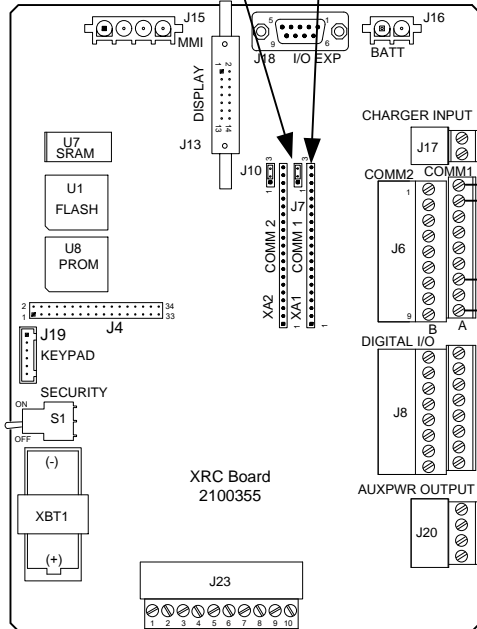
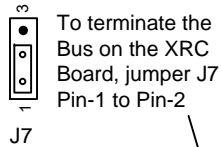


**NOTES:**

- WARNING:** This drawing does not illustrate the installation methods required for hazardous locations. Prior to any installation in a Classified Hazardous Location, verify installation methods by the Control Drawing referenced on the product's name tag and national and local codes.

RS-485 Communications Module  
Totalflow P/N 2015193-002/003  
In this configuration, COMM1 may not be used to communicate with other devices. To attach other devices, such as other flow computers, use COMM2



REF:N/A

<b>ABB</b> TOTALFLOW Products	ACTION	DOC TYPE	TITLE	DWG NO.	REV	SHEET
	D24201	UD	XRC (2100355 BD) COMM1 TO IMV25 MULTIVARIABLE (1641200) W/RTD PROBE	2104274	AB	1 OF 1