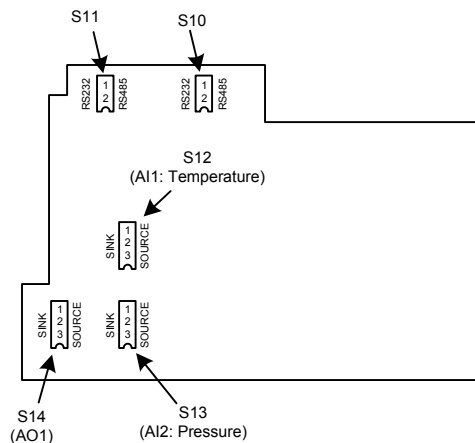


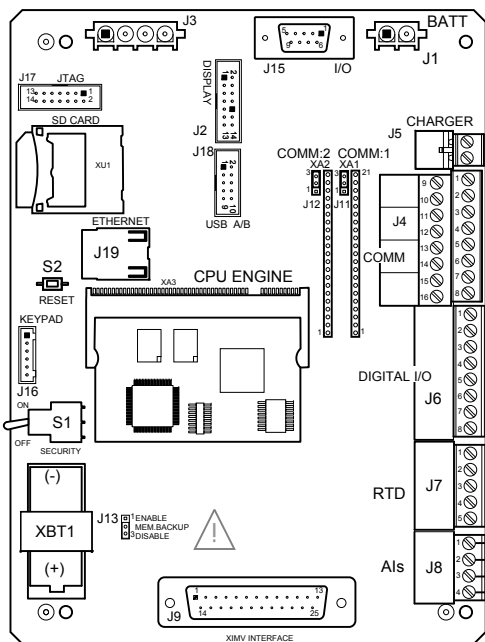
NOTES:

- WARNING:** This drawing does not illustrate the installation methods required for hazardous locations. Prior to any installation in a Classified Hazardous Location, verify installation methods by the Control Drawing referenced on the product's name tag and national and local codes.
- The SeniorSonic 3400 is represented as a reference only. For accurate technical information, refer to the manufacturer's specifications.



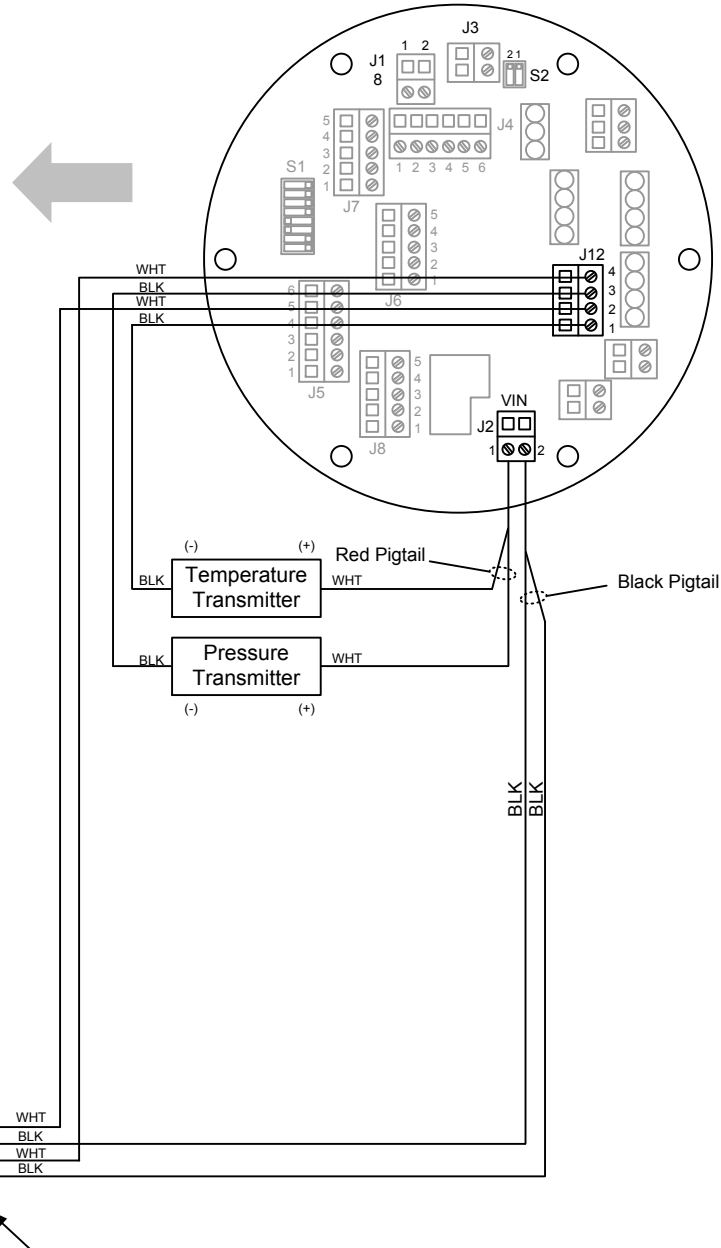
Option Board (on SeniorSonic)

Set S12 (Temperature) Switches 1,2 & 3 to SINK
Set S13 (Pressure) Switches 1,2 & 3 to SINK



XFC^{G4} (2103328) Board

Field Connection Board (on SeniorSonic)



Note: A 250Ω resistor is added to the AIs for input at 4-20mA

REF: NA

ABB	TOTALFLOW	ACTION	DOC TYPE	TITLE	DWG NO.	REV	SHEET
	Products	L30376	UD	XFC ^{G4} (2103328 BD) AI TO SENIORSONIC 3400	2104388	AA	1 OF 1