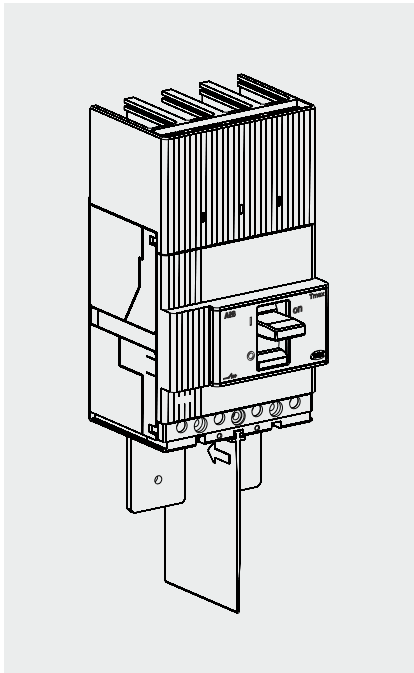


SACE Tmax T1N-D/PV UL

Connessione per Jumper Tmax T1N-D/PV UL
 Jumper connection Tmax T1N-D/PV UL

connection A T1N-D/PV-A grounded system wiring 4PS Kit

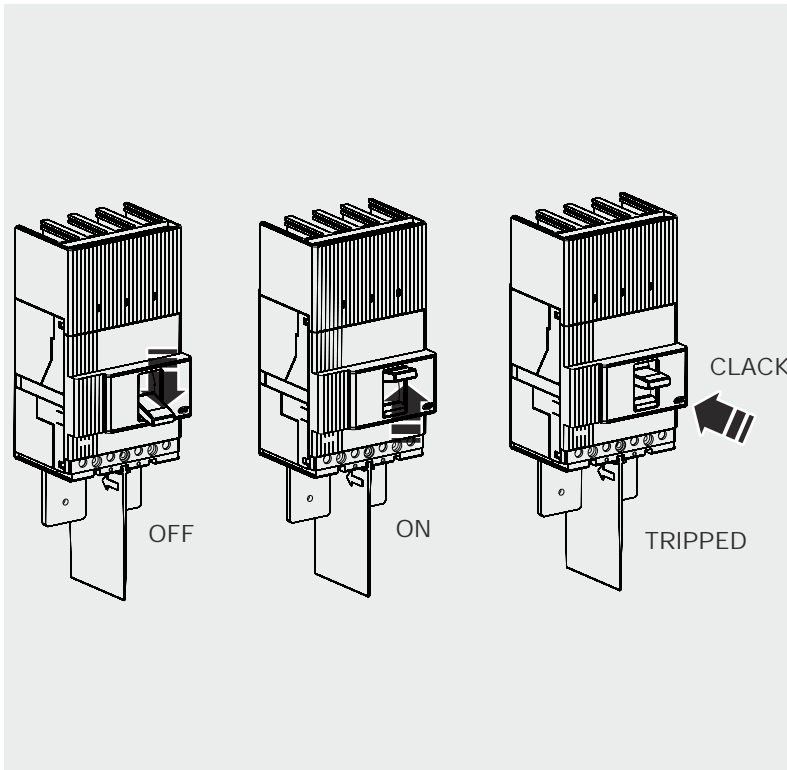


Upper supply	3	3	1
Lower supply	3	3	1

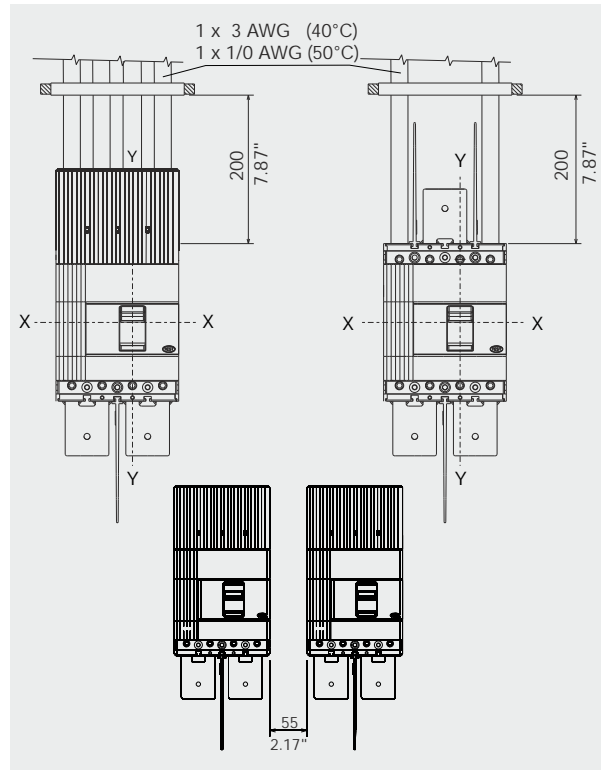
connection B T1N-D/PV-B ungrounded system wiring 2PS+2PS Kit

Upper supply	1	2	1	2	1
Lower supply	1	2	1	2	1

A

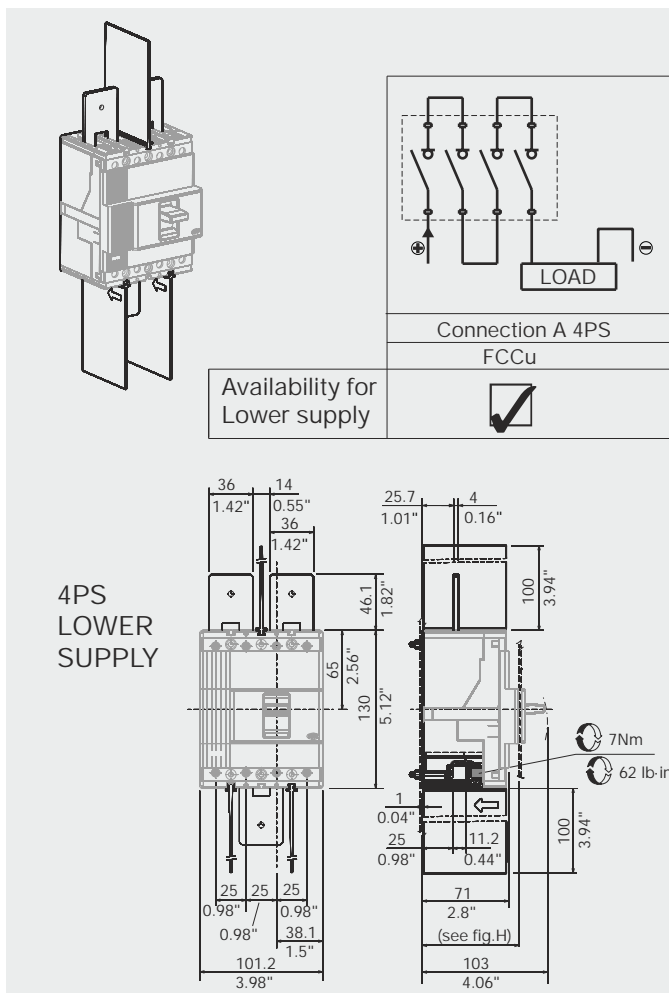


B



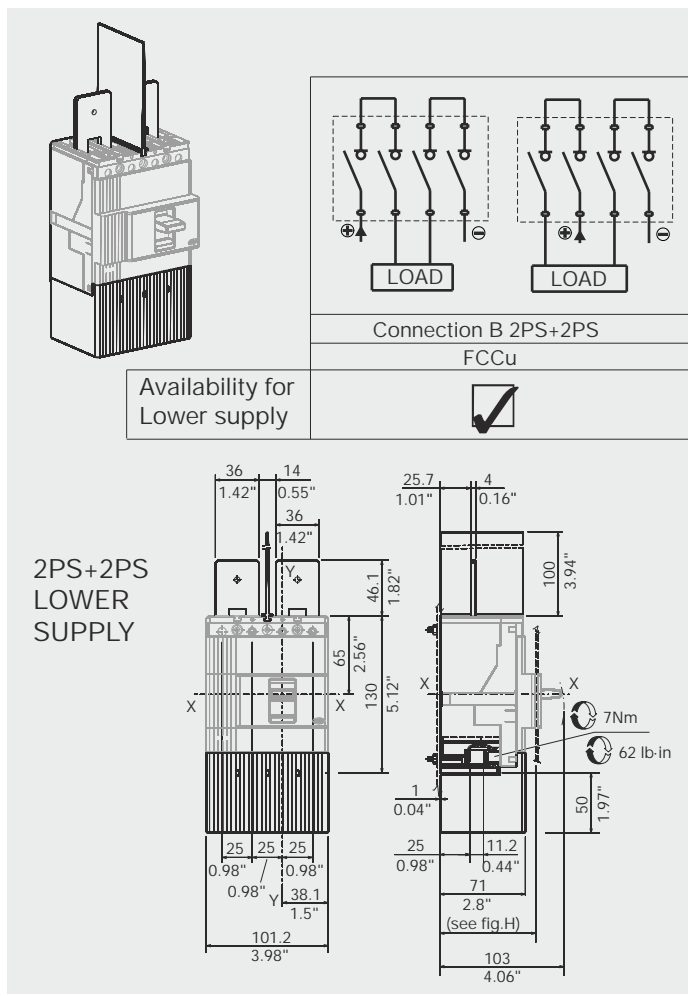
C

Busbar Jumper Kit T1N-D/PV-A for connection A grounded system wiring 4PS, lower supply



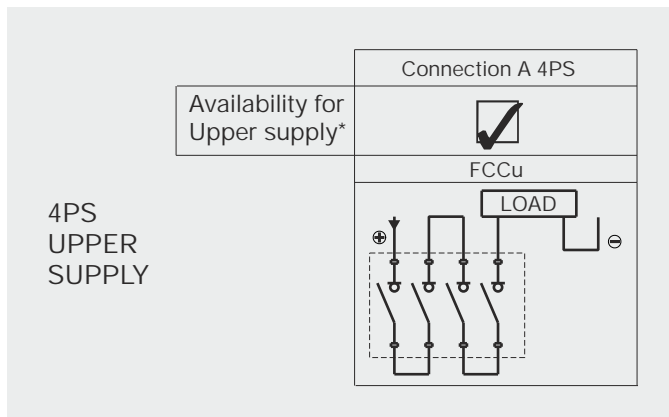
D

Busbar Jumper Kit T1N-D/PV-B for connection B ungrounded system wiring 2PS+2PS, lower supply



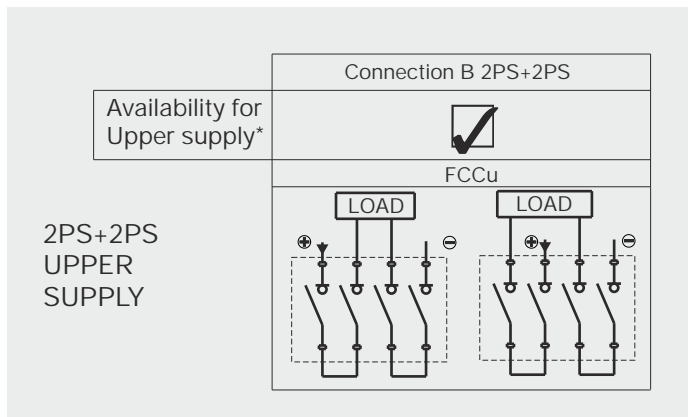
E

Busbar Jumper Kit T1N-D/PV-A for connection A grounded system wiring 4PS, upper supply



F

Busbar Jumper Kit T1N-D/PV-B for connection B ungrounded system wiring 2PS+2PS, upper supply

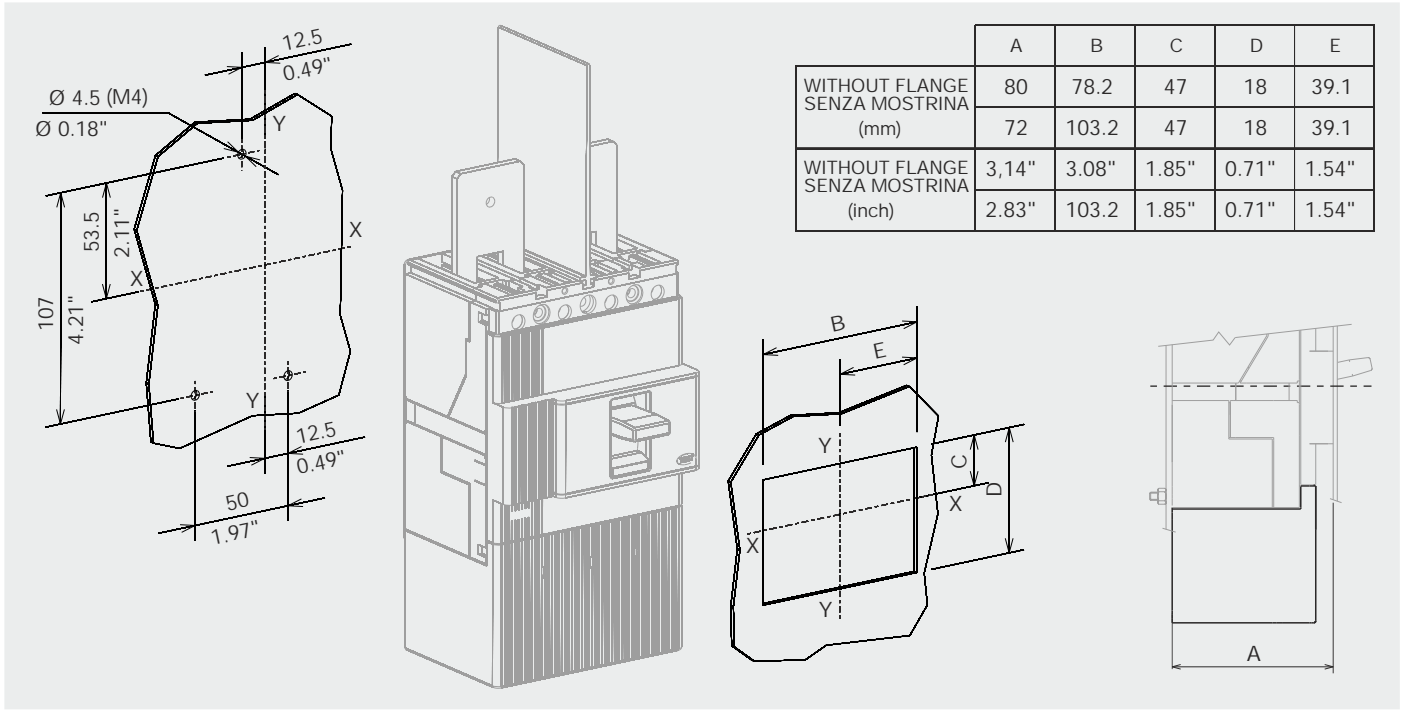


* Terminals configurations must be symmetrical with respect to x-x CB axis when CB is supplied from the top.

G

Le uniche configurazioni utilizzabili sono quelle riportate in questo documento
The configurations here represented are the only ones available

H



I

