

MEDIUM VOLTAGE PRODUCT

TJP 5.0

Indoor Voltage Transformers



—
01 Optional primary
cable connection detail

Parameters	Values
Highest voltage for equipment	12 - 17.5 kV
Power frequency test voltage, 1 min.	28 - 38 kV
Lightning impulse test voltage	75 - 95 kV
Fuses	0.5 - 6.3 A (IEC)
Max. rated burden, classes	25/0.2 - 75/0.5 - 150/1 VA/cl
Residual winding	50 - 200/6P VA/cl

Description

The TJP 5.0 epoxy insulated voltage transformer is cast in epoxy resin and designed mostly for insulation voltages of 12 kV to 17.5 kV.

If no a different value is required the transformers are manufactured with a overvoltage factor of $1.9 \times U_n/8$ hrs. One outlet of the primary winding, including the respective terminal is insulated from the earth to a level which corresponds to the rated insulation value. The other outlet of primary winding with its terminal is earthed during the operation. Most of the transformers are equipped with two secondary windings, the first one for either measuring or protection purposes, the other for being connected into an open-delta connection in a three-phase system. One terminal of each secondary winding and one of the opendelta connected terminals have to be earthed during the transformer operation.

The secondary windings are lead out into a cast-type secondary terminal board. The secondary terminal board is covered with a sealed plastic over.

The transformer can be mounted in any position. The transformer body is fixed by four screws, the bolted M8 earthing clamp is located on the transformer base plate. The TJP 5.0 transformer is equipped with a fuse conformably to IEC standard. Fuse can be delivered with or without a striker pin The design of TJP 5.0 is suitable for ABB AIS panels. There also exists an option of the primary cable connection (see picture 01)

Note. In case of a request for a fuse with a striker pin, it must be clearly requested in the offer request or in the purchase order.

Rated primary voltages

10/ $\sqrt{3}$ kV; 11/ $\sqrt{3}$ kV; 13.8/ $\sqrt{3}$ kV; 15/ $\sqrt{3}$ kV

Other primary voltages can also be supplied on request.

Rated secondary voltages

100/ $\sqrt{3}$ V; 110/ $\sqrt{3}$ V – accuracy classes 0.2; 0.5; 1 (measuring winding) or 3P; 6P (protection winding). Other secondary voltages can also be supplied on request.

Rated voltages for open-delta connection

100/3 V; 110/3 V - class 6P. Other voltages for open-delta connection can also be supplied based on customer requirement.

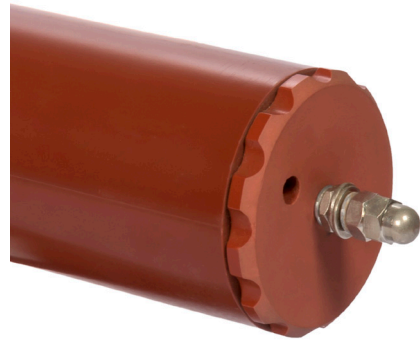
Rated frequency

50 Hz; 60 Hz.

Based on a discussion with the manufacturer the transformer can also be provided with primary winding designed for two different primary voltages (with secondary side changeover).

The transformers are manufactured conformably to the requirements and recommendations of the following standards and regulations: IEC, VDE, IEEE, BS, GOST and CSN.

For marking of the voltage transformer outlets see picture 02 a-e.



—
01

02 Marking of the voltage transformers outlets

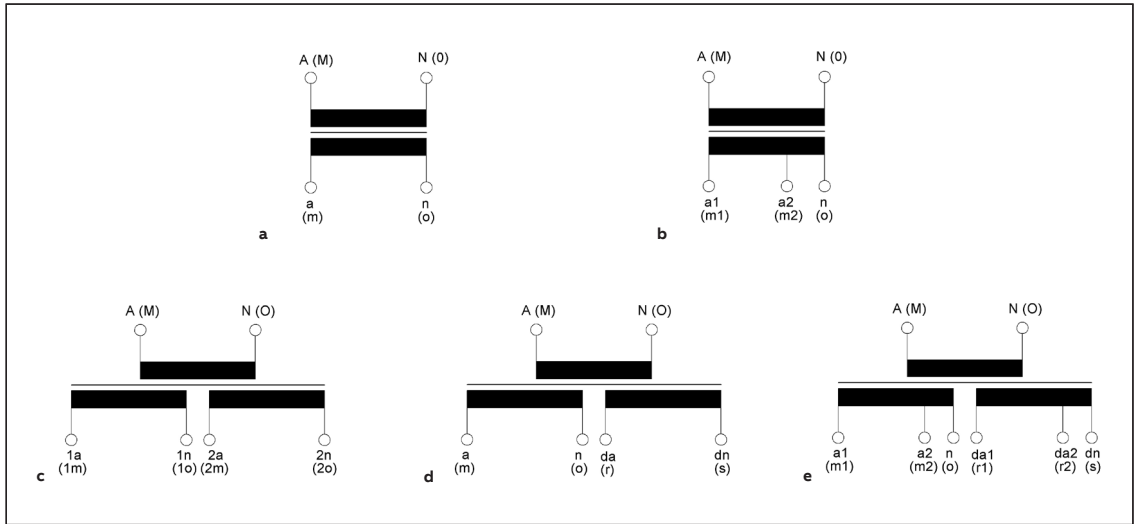
a Single-pole insulated transformer

b Single-pole insulated transformer with a tap

c Single-pole insulated transformer with two secondary windings

d Single-pole insulated transformer with two secondary windings, with one of which being the auxiliary (residual) winding

e Single-pole insulated transformer with two secondary, tapped windings, with one which being the auxiliary (residual) winding



02

Standard execution of the transformers

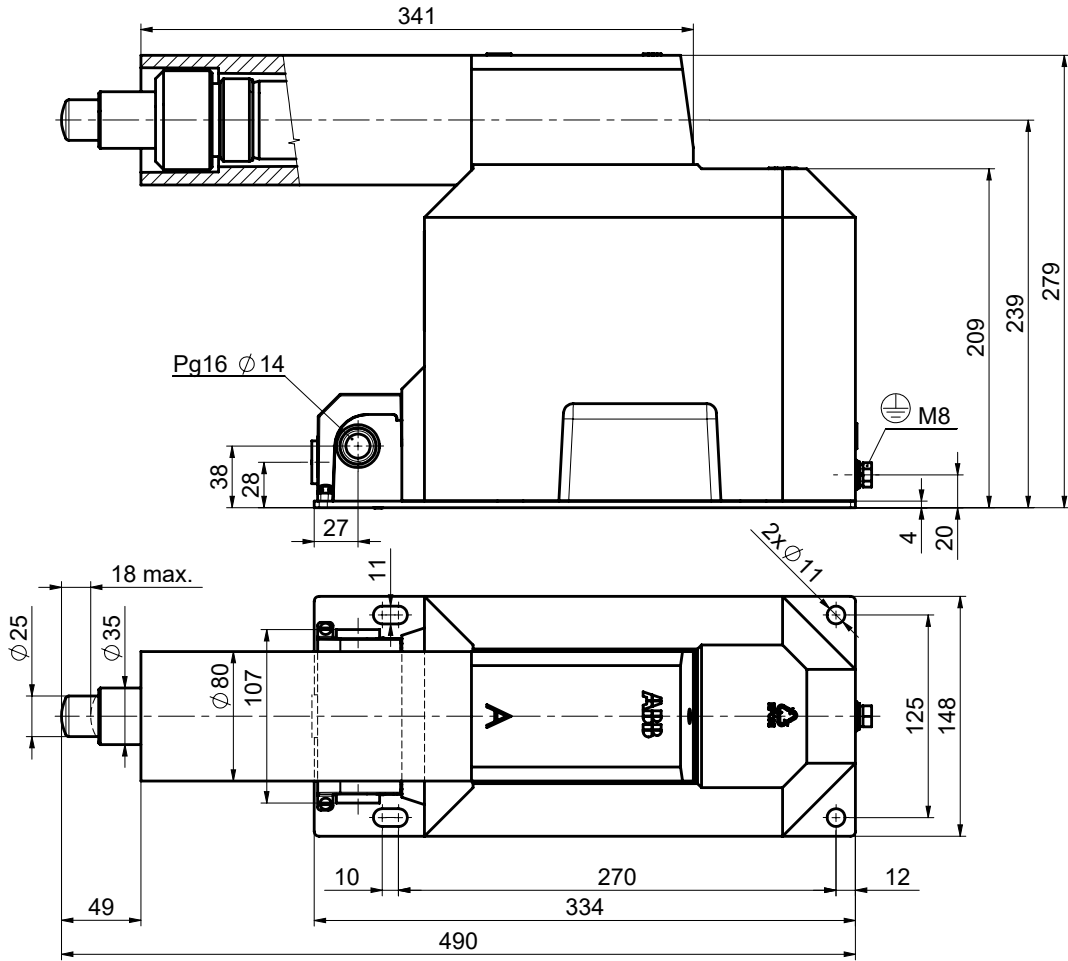
Primary voltage, [V]	Secondary voltage			Residual winding		
	voltage, [V]	accuracy	burden, [VA]	voltage, [V]	accuracy	burden, [VA]
10 000/√3	100/√3	0.2	10;15;25			
10 000/√3	100/√3	0.2	10;15;25	100/3	6P	50
10 000/√3	100/√3	0.2	10;15;25	100/3	6P	100
10 000/√3	110/√3	0.2	10;15;25			
10 000/√3	110/√3	0.2	10;15;25	110/3	6P	50
10 000/√3	110/√3	0.2	10;15;25	110/3	6P	100
10 000/√3	100/√3	0.5	15;25;50			
10 000/√3	100/√3	0.5	15;25;50	100/3	6P	50
10 000/√3	100/√3	0.5	15;25;50	100/3	6P	100
10 000/√3	110/√3	0.5	15;25;50			
10 000/√3	110/√3	0.5	15;25;50	110/3	6P	50
10 000/√3	110/√3	0.5	15;25;50	110/3	6P	100
10 000/√3	100/√3	1	50;75;100			
10 000/√3	100/√3	1	50;75;100	100/3	6P	50
10 000/√3	100/√3	1	50;75;100	100/3	6P	100
10 000/√3	110/√3	1	50;75;100			
10 000/√3	110/√3	1	50;75;100	110/3	6P	50
10 000/√3	110/√3	1	50;75;100	110/3	6P	100
11 000/√3	100/√3	0.2	10;15;25			
11 000/√3	100/√3	0.2	10;15;25	100/3	6P	50
11 000/√3	100/√3	0.2	10;15;25	100/3	6P	100
11 000/√3	110/√3	0.2	10;15;25			
11 000/√3	110/√3	0.2	10;15;25	110/3	6P	50
11 000/√3	110/√3	0.2	10;15;25	110/3	6P	100
11 000/√3	100/√3	0.5	15;25;50			
11 000/√3	100/√3	0.5	15;25;50	100/3	6P	50
11 000/√3	100/√3	0.5	15;25;50	100/3	6P	100
11 000/√3	110/√3	0.5	15;25;50			
11 000/√3	110/√3	0.5	15;25;50	110/3	6P	50
11 000/√3	110/√3	0.5	15;25;50	110/3	6P	100
11 000/√3	100/√3	1	50;75;100			
11 000/√3	100/√3	1	50;75;100	100/3	6P	50
11 000/√3	100/√3	1	50;75;100	100/3	6P	100
11 000/√3	110/√3	1	50;75;100			
11 000/√3	110/√3	1	50;75;100	110/3	6P	50
11 000/√3	110/√3	1	50;75;100	110/3	6P	100
11 000/√3	110/√3	1	50;75;100	110/3	6P	100
13 800/√3	100/√3	0.2	10;15;25			

Primary voltage, [V]	Secondary voltage			Residual winding		
	voltage, [V]	accuracy	burden, [VA]	voltage, [V]	accuracy	burden, [VA]
13 800/√3	100/√3	0.2	10;15;25	100/3	6P	50
13 800/√3	100/√3	0.2	10;15;25	100/3	6P	100
13 800/√3	110/√3	0.2	10;15;25			
13 800/√3	110/√3	0.2	10;15;25	110/3	6P	50
13 800/√3	110/√3	0.2	10;15;25	110/3	6P	100
13 800/√3	100/√3	0.5	15;25;50			
13 800/√3	100/√3	0.5	15;25;50	100/3	6P	50
13 800/√3	100/√3	0.5	15;25;50	100/3	6P	100
13 800/√3	110/√3	0.5	15;25;50			
13 800/√3	110/√3	0.5	15;25;50	110/3	6P	50
13 800/√3	110/√3	0.5	15;25;50	110/3	6P	100
13 800/√3	100/√3	1	50;75;100			
13 800/√3	100/√3	1	50;75;100	100/3	6P	50
13 800/√3	100/√3	1	50;75;100	100/3	6P	100
13 800/√3	110/√3	1	50;75;100			
13 800/√3	110/√3	1	50;75;100	110/3	6P	50
13 800/√3	110/√3	1	50;75;100	110/3	6P	100
15 000/√3	100/√3	0.2	10;15;25			
15 000/√3	100/√3	0.2	10;15;25	100/3	6P	50
15 000/√3	100/√3	0.2	10;15;25	100/3	6P	100
15 000/√3	110/√3	0.2	10;15;25			
15 000/√3	110/√3	0.2	10;15;25	110/3	6P	50
15 000/√3	110/√3	0.2	10;15;25	110/3	6P	100
15 000/√3	100/√3	0.5	15;25;50			
15 000/√3	100/√3	0.5	15;25;50	100/3	6P	50
15 000/√3	100/√3	0.5	15;25;50	100/3	6P	100
15 000/√3	110/√3	0.5	15;25;50			
15 000/√3	110/√3	0.5	15;25;50	110/3	6P	50
15 000/√3	110/√3	0.5	15;25;50	110/3	6P	100
15 000/√3	100/√3	1	50;75;100			
15 000/√3	100/√3	1	50;75;100	100/3	6P	50
15 000/√3	100/√3	1	50;75;100	100/3	6P	100
15 000/√3	110/√3	1	50;75;100			
15 000/√3	110/√3	1	50;75;100	110/3	6P	50
15 000/√3	110/√3	1	50;75;100	110/3	6P	100

Dimensional Drawings

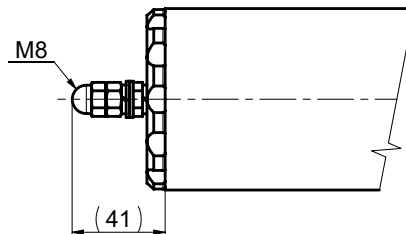
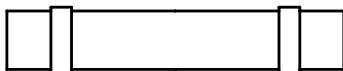
TJP 5.0

Weight: appr. 24 kg
Creepage Distance: 400 mm



OPTIONAL FOR CABLE CONNECTION
CREEPAGE DISTANCE: 418mm

fuse IEC 60282-1



Drawing n.
44204060

Drawing n.
1VL4200418R0101



CONTACT US
ABB s.r.o.

ELDS Brno

Videnska 117, 619 00 Brno,
Czech Republic

Tel.: +420 547 152 021
+420 547 152 854

Fax: +420 547 152 626

E-mail: kontakt@cz.abb.com

www.abb.com

NOTE

We reserve the right to make technical changes or modify the contents of this document without prior notice. With regard to purchase orders, the agreed particulars shall prevail. ABB does not accept any responsibility whatsoever for potential errors or possible lack of information in this document.

We reserve all rights in this document and in the subject matter and illustrations contained therein. Any reproduction, disclosure to third parties or utilization of its contents - in whole or in parts - is forbidden without prior written consent of ABB.

Copyright© 2024 ABB
All rights reserved